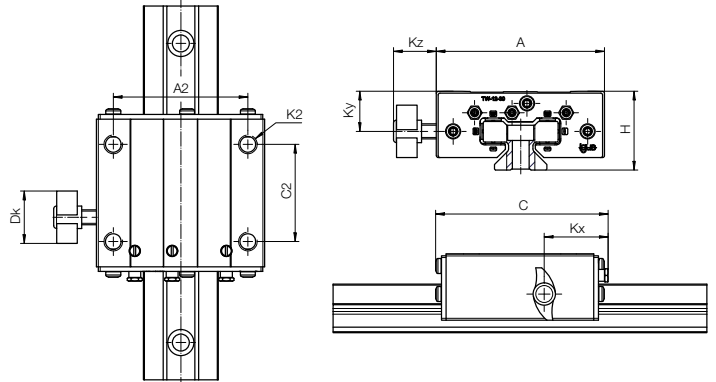


drylin® T TW-12 Performance linear carriages

Clamping directly on the carriage



Strong clamping

drylin® T linear carriages in four sizes with integrated manual clamp. The clearance adjustment is made directly on the carriage.

- Longer service life with iglidur® J200 slider
- Ready-to-install system
- Tested. drylin® TW-12-15: 2 rails, 2 carriages with fixed/floating bearing, 75N load, drive/centre of gravity middle travel distance without changing bearings: 35,000km
- No external lubrication
- Predictable function/service life online

Product range

Part No.	Size	Kz [mm]	Ky [mm]	Kx [mm]	Dk [mm]	Manual clamp thread [mm]
TW-12-15-HKA	15	20	11.5	24	20	M6
TW-12-20-HKA	20	20	15.0	27	28	M8
TW-12-25-HKA	25	19	19.0	30	28	M8
TW-12-30-HKA	30	23	21.5	34	28	M8

Part No.	Weight [kg]	H ±0.35 [mm]	A [mm]	C [mm]	A2 [mm]	C2 [mm]	K2
TW-12-15-HKA	0.11	24	47	60	38	30	M5
TW-12-20-HKA	0.22	30	63	72	53	40	M6
TW-12-25-HKA	0.33	36	70	80	57	45	M8
TW-12-30-HKA	0.57	42	90	92	72	52	M10

The manual clamp was developed for simple tasks. The creep behaviour of the clamped plastic causes a reduction in clamping force over time (up to 70%) so no safety-relevant parts should be clamped. Please contact our technical consultant, if you require other options for the clamping.