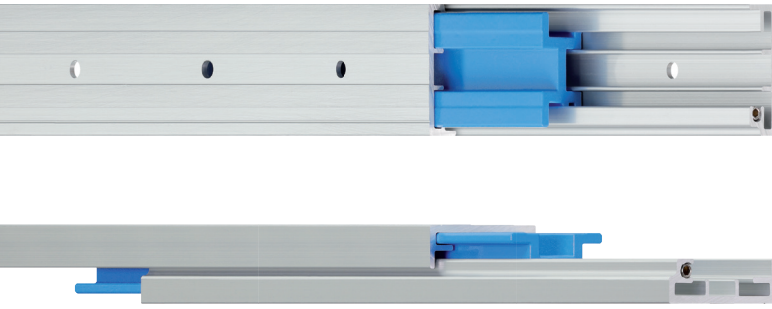


drylin® NT telescopic rails Heavy Duty

Strong and durable



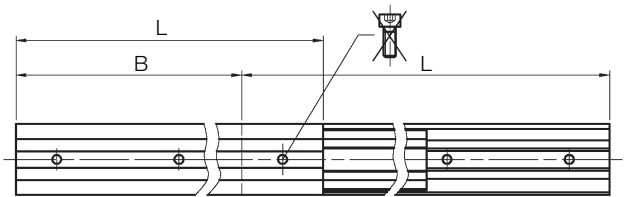
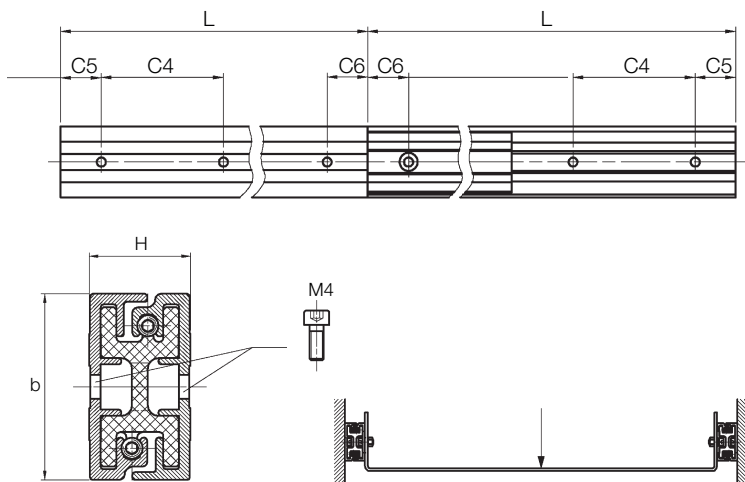
Pull out loads up to 12kg

The robust aluminium rail accepts loads of up to 12kg, with a durable coating of iglidur® IC-05 for a lubrication-free extension.

- Telescopic extension up to 1,000mm in the application area up to max. +80°C
- Telescopic rail can be ordered with infinite adjustment from 140 - 1,000mm
- Selected coating with iglidur® IC-05, after test: linear short stroke, lasts up to four times longer than iglidur® IC-01

Product range

Part No.	b [mm]	H [mm]	C4 [mm]	C5 = C6		L	
				min. [mm]	max. [mm]	min. [mm]	max. [mm]
NT-35-P-HD	35	19	60	20	49.5	140	1,000



Teilauszug NT-35-"L"- "B"



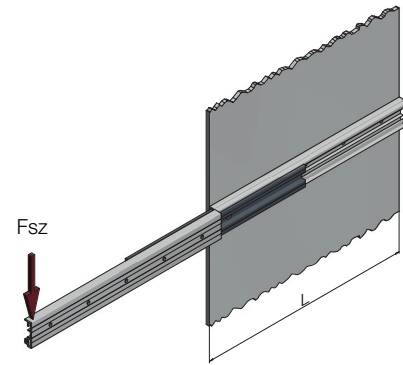
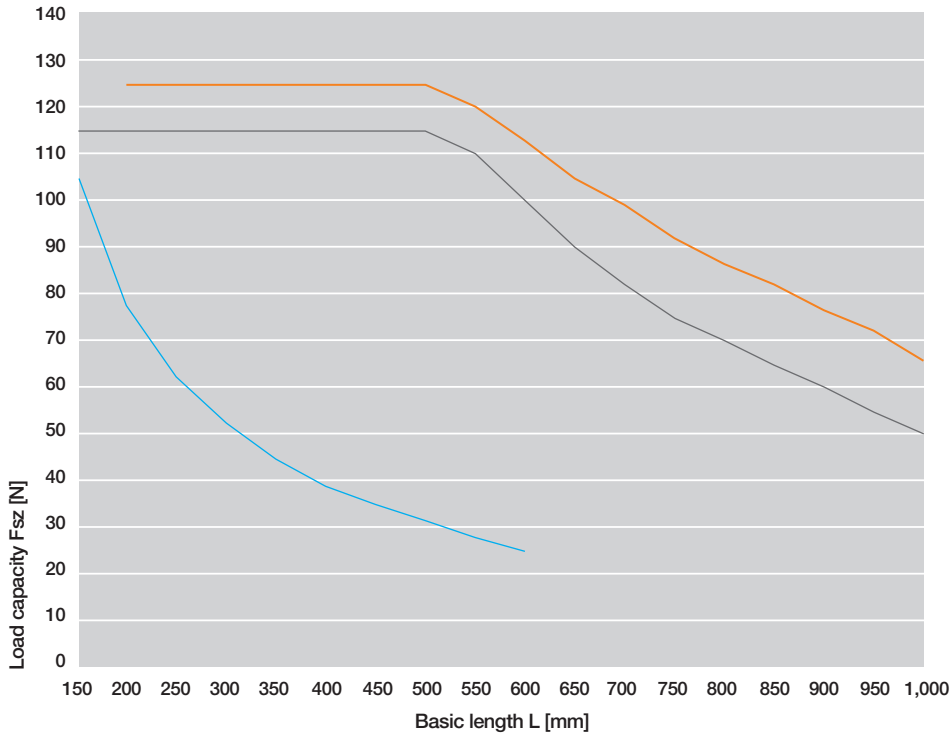
drylin® NT telescopic rails Heavy Duty

Strong and durable

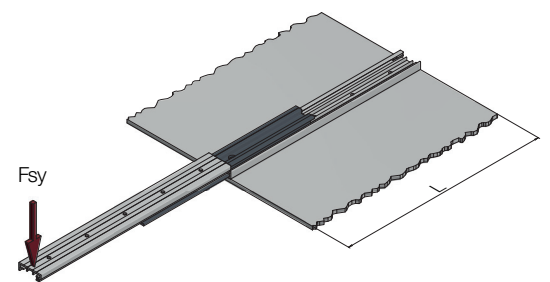
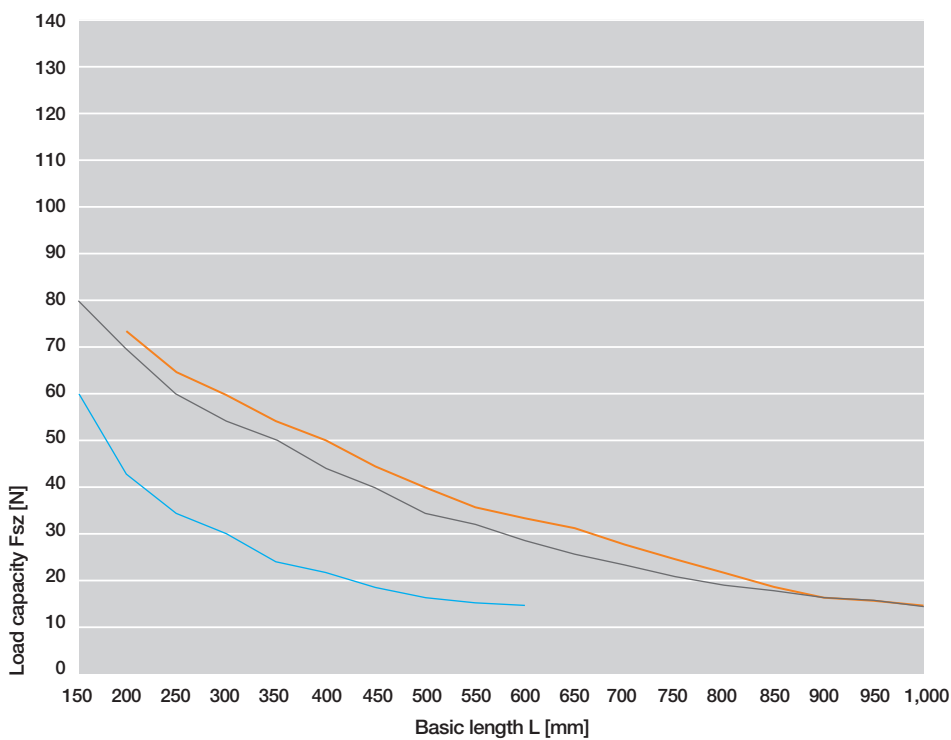
Technical data

Single telescopic rail's design

■ NT-35
 ■ NT-35-HD
 ■ NT-60



Static load capacity in z-direction



Static load capacity in y-direction



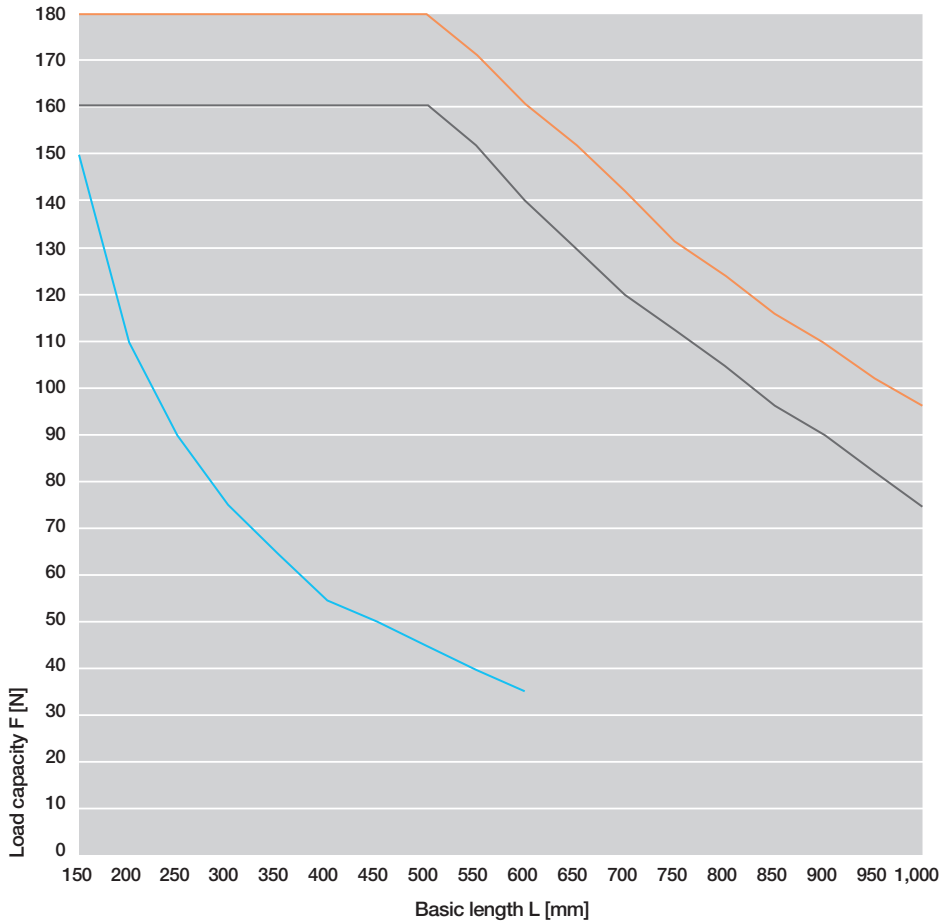
drylin® NT telescopic rails Heavy Duty

Strong and durable

Technical data

Load capacity drawer unit

■ NT-35
 ■ NT-35-HD
 ■ NT-60



Load capacity of a drawer with two systems installed upright

