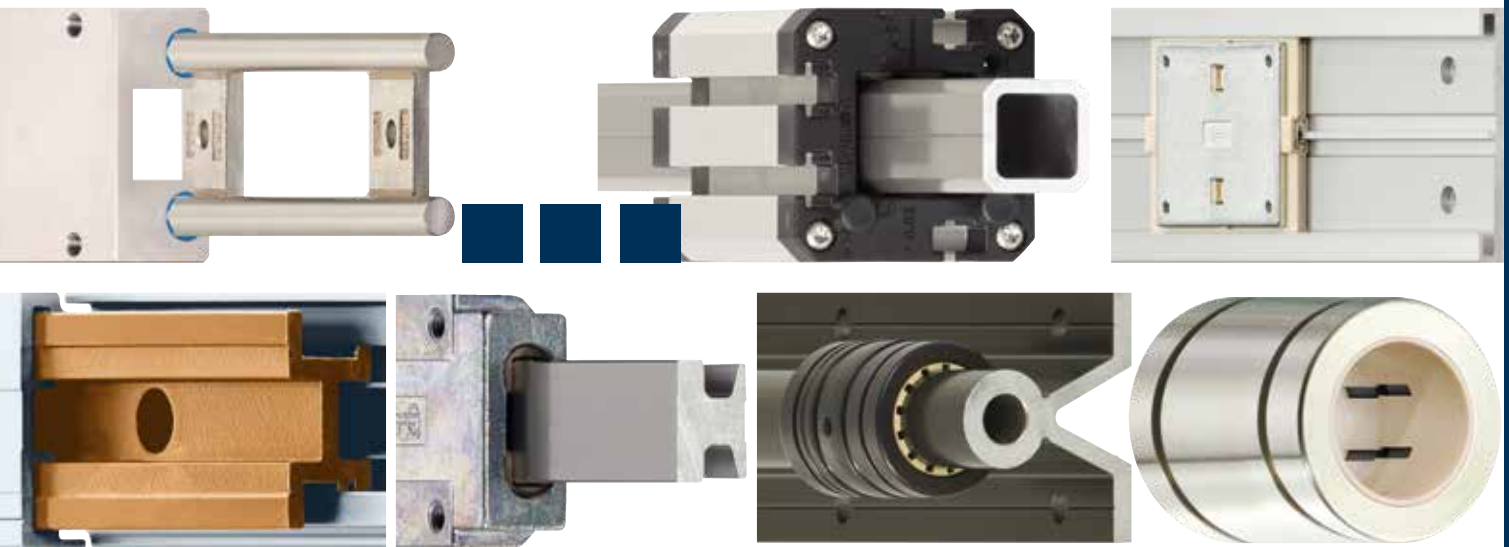


drylin[®]

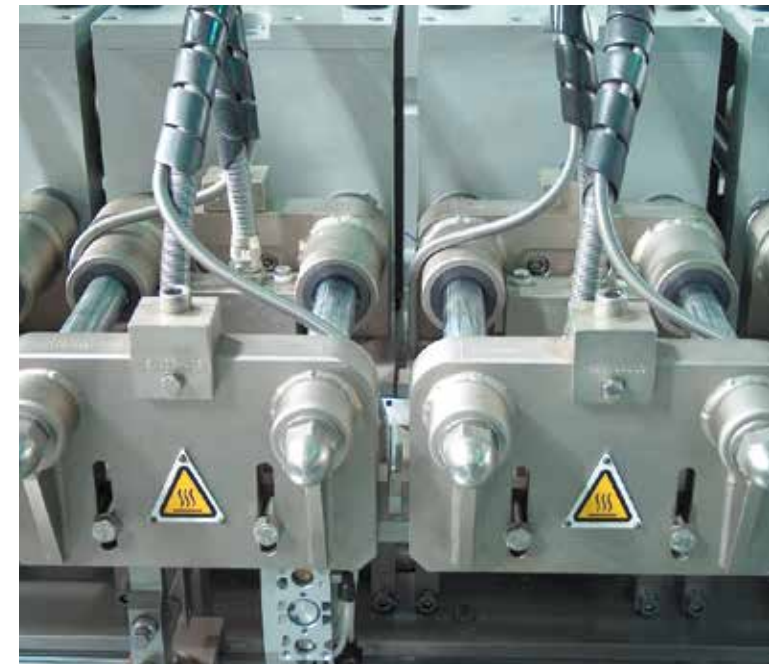
Linear technology



...plastics

Tech up ... Cost down

For years the igus® motto has been motion plastics® - high-performance polymers for motion. By this we mean the production of innovative plastic products which reduce maintenance work, achieve technical improvements, at the same time as reducing costs and increasing service life, everything delivered immediately from stock. Our references from the practice show the proven employment from drylin® guides in a wide variety of applications.



Forming, filling and sealing machine
Lubrication-free drylin® high temperature linear bearings (up to +120°C) are used in the tool guide system of this forming, filling and sealing machine. (Unifill SpA, Italy)



Label feeding system (packaging technology)
Quick and flexible lubrication-free format adjustment at lower costs - implemented with drylin® T rail guide. Further advantage: guide carriage with manual clamp. (Geset Etikettier-Systeme GmbH, Germany)

Door adjustment
The smooth, quiet operation and the enormous cost advantages are obtained by the use of drylin® R linear plain bearings on the hard-anodised guide shafts to guide the doors of machine tools. (Alzmetall GmbH + Co. KG, Germany)



Champagne bottle sealing machine
Due to freedom from lubricants and chemical resistance, drylin® guides score highly in facilities in the food sector. (Sick International Kellereimaschinen GmbH, Germany)











System for the production of aluminium cartridges
The absolute freedom from lubricants and the resistance to prevailing paint mist led to the application of drylin® R linear plain bearings. (Mall + Herlan GmbH, Germany)









drylin® W profile guides

		 New					 New
Single rails, square: WSQ-XX ▶ Page 62	Pillow blocks, square: WJ200QM ▶ Page 64	Pillow blocks, square, for narrow assemblies: WJ200QMS ▶ Page 65	Single rails, round: WS-XX ▶ Page 66	Single rails, round made of stainless steel: WS-XX-ES-(FG) ▶ Page 68	Pillow blocks, round: WJ200UM ▶ Page 69	Pillow blocks, round made of stainless steel: WJUM-XX-ES-(FG) ▶ Page 69	Pillow blocks, single, round, made from solid plastic: WJBMP-01-10 ▶ Page 70









drylin® W profile guides

				 New	 New	 New	
Tandem pillow blocks: WJ200UMT-XX-AL ▶ Page 71	Manual clearance adjustment: WJ(200)UME ▶ Page 72	With spring pre-load: WJ(200)UM-XX-P ▶ Page 73	Pillow blocks, single, round: WJ200UMA-XX-AL ▶ Page 74	Pillow blocks, round made of stainless steel: WXUMA-01-10-ES ▶ Page 75	Pillow blocks, round, for narrow assemblies: WJ200UMS ▶ Page 76	Pillow blocks, tandem, round, for narrow assemblies: WJ200UMTS ▶ Page 77	Double rails: square WSQ ▶ Page 78









drylin® W profile guides

							
High torsional rigidity: high profile rails, square WSX ▶ Page 79	Linear guides - lightweight, non-metallic: WSPC ▶ Page 80	Linear guides - lightweight, non-metallic: WSPG ▶ Page 81	Complete carriages: square WWQ ▶ Page 82	Mono-slide carriages: WWC ▶ Page 83	Double rails: round WS-XX-XX ▶ Page 84	High torsional rigidity: high profile rails, round WSX ▶ Page 86	Round double rails, made of stainless steel: WS-XX-XX-ES-(FG) ▶ Page 87

drylin® W profile guides

	 New	 New		 New	 New	 New	 New
Complete carriages: round WW ▶ Page 88	Linear sliding carriage directly replace ball bearings guide: WW-XX-XX-T15 ▶ Page 90	Slim linear carriages: WWS ▶ Page 91	Assembled stainless steel guide carriages, round: WW-XX-XX-GESG-PES ▶ Page 92	Mono-slide carriages, with snap mechanism: WWC-06-30-06-LM ▶ Page 93	Linear carriages with wear measurement, round: WW-XX-XX-IS-LED ▶ Page 94	Linear carriages with integrated manual clamp: WW-XX-XX-XX-HKX ▶ Page 95	Clip-on linear carriages: WW-10-40-10-TC ▶ Page 96

drylin® W profile guides

 New							
Clip-on linear carriages with clamping: WW-10-40-10-CC ▶ Page 97	Curved rail profiles: WSB ▶ Page 98	Curved rail profiles: WSB-XX-XX-RX300Q ▶ Page 100	Single bearings for curved rails: WI3UBP-XX-LLZ ▶ Page 102	Carriage for curved rails: WWB ▶ Page 103	Double rails with machine recesses: WS(Q)-XX-CAM ▶ Page 104	Complete carriages for slider: WW-XX-SL ▶ Page 105	Hybrid slider carriages with four double roller bearings: WWH-XX-SL ▶ Page 106

drylin® W hybrid roller bearings



Hybrid rails for lateral installation:
WSR
▶ Page 112



Hybrid roller bearings for hybrid lateral rail:
WJRM-31/41
▶ Page 113



Single hybrid roller bearings:
WJRM-01
▶ Page 114



Double hybrid roller bearings:
WJRM-21
▶ Page 115



New

Hybrid roller bearings with two rollers:
WRJM-XX-XX-AL
▶ Page 116



New

Tandem roller bearings with ball bearings:
WRJM-XX-XX-BB-AL
▶ Page 117



Hybrid single and double rollers, stainless steel:
WRJM-XX-ES-FG
▶ Page 118



Hybrid carriages for lateral installation:
WWR-21-XX
▶ Page 119

drylin® W hybrid roller bearings



Hybrid carriages with four double roller bearings:
WWH-21
▶ Page 120



Hybrid carriages for horizontal installation:
WWH-10
▶ Page 121



Mounting plate for drylin® W hybrid roller bearing:
WWYR
▶ Page 122

drylin® linear technology - accessories



Manual clamp for simple positioning:
WHKA-XX-(AL)/WHKAQ
▶ Page 124/125



Manual clamp for higher holding force:
WHKD
▶ Page 125



Manual clamp for drylin® W hybrid roller bearings:
WJRM-21-XX-HKA
▶ Page 126



Liners made from dry-tech® polymers
▶ Page 127

drylin® linear technology - accessories



Plastic liners:
J200UMA-XX
▶ Page 128



New

End caps for drylin® W rails:
WSZ-101201-KIT
▶ Page 128



New

End caps for drylin® W single rails:
WSZ-16-KIT
▶ Page 128



End caps for drylin® high profile rails WSX:
WSX-XX-EC
▶ Page 129



Mounting plate for linear carriage:
WWY
▶ Page 130

drylin® N low-profile guides



For small spaces and high load capacity:
Installation size 17
▶ Page 138



The largest variety of carriages (options):
Installation size 27
▶ Page 140



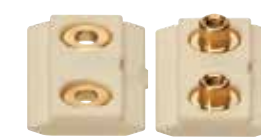
Suitable for aluminium construction profiles:
Installation size 40
▶ Page 142



High loads with reduced height:
Installation size 80
▶ Page 144



Prism rails:
NSV-01-27
▶ Page 146



Prism carriages:
NWW-XX
▶ Page 147



Accessories:
Manual clamp
NW-XX-HKA
▶ Page 150



Accessories:
end caps
NSKB, NSK
▶ Page 151

drylin® N low-profile guides



New

Accessories:
End caps
NSVK
▶ Page 152



Telescopic rails:
NT-35
▶ Page 154



Telescopic rails with locking mechanism:
NT-LM-35
▶ Page 155



Telescopic guide for higher loads:
NT-60
▶ Page 156



New









Telescopic rails with prism carriages:
NTV-27
▶ Page 157











New

Telescopic rails made of solid plastic:
NTP-27
▶ Page 158









drylin® T rail guides

							
Guide rails: TS-01 ▶ Page 166	High performance carriages: TW-12 ▶ Page 167	Manual clearance adjustment: TW-01 ▶ Page 168	Automatic clearance adjustment: TWA-01 ▶ Page 169	With manual clamp: TW-01-XX-HKA ▶ Page 170	Heavy-duty version: TW-02 ▶ Page 171	Compact design: TW-03 ▶ Page 172	Accessories: TWBM-11 ▶ Page 173

drylin® T rail guides

		 New		 New			
Accessories: TWBM-01 ▶ Page 173	Miniature guides: TS-04 ▶ Page 174	Miniature guide carriages with iglidur® E3 liners: TW-14-XX ▶ Page 174	Miniature guide carriages: TW-04 ▶ Page 175	Miniature guides, pre-loaded: TW-04-XX-XX ▶ Page 175	Adjustable miniature guides: TWE-04 ▶ Page 176	Accessories: End caps for holes TSZ ▶ Page 176	Accessories: Replacement plastic sliders TEK ▶ Page 176

drylin® R liners made from iglidur® J

							
Long, closed design for shafts: JUM-01 ▶ Page 188	Long, open design for supported shafts: JUMO-01 ▶ Page 189	Long, closed design, precise: JUM-11 ▶ Page 190	Long, open design, precise: JUMO-11 ▶ Page 191	Short, closed design for shafts: JUM-02 ▶ Page 192	Long, closed design for shafts: J200UM-01 ▶ Page 193	Long, open design for shafts: J200UMO-01 ▶ Page 194	Long, closed design for shafts: E7UM-01 ▶ Page 195






... made from iglidur® J200

... made from iglidur® E7

... made from iglidur® E7







... made from iglidur® X

... made from iglidur® A180

						
Long, open design for supported shafts: E7UM-01 ▶ Page 196	Short, closed design for shafts: E7UM-02 ▶ Page 197	Long, closed design, high temperature: XUM-01 ▶ Page 198	Long, open design, high temperature: XUMO-01 ▶ Page 199	Short, closed design, high temperature: XUM-02 ▶ Page 200	Long, closed design for shafts: A180UM-01 ▶ Page 201	Long, open design for supported shafts: A180UMO-01 ▶ Page 202

... made from iglidur® A160

drylin® R special designs

	 New	 New			
Long, closed design for shafts: A160UM-01 ▶ Page 203	Long, open design for supported shafts: A160UMO-01 ▶ Page 204	Short, closed design for shafts: A160UM-02 ▶ Page 205	Slide disks for large force displacement: RSDJ ▶ Page 206	Clip-on liners: JUCM ▶ Page 207	Press-fit bearings made from iglidur® L100: WLM/WLFM ▶ Page 208/209

drylin® R solid plastic bearings



Standard design made from iglidur® J: RJM-01
▶ Page 210



Standard design, precise, made from iglidur® J: RJMP-01
▶ Page 211



New
Standard design made from iglidur® A180: RA180M-01-10
▶ Page 212



New
Standard design made from iglidur® A160: RA160M-01-10
▶ Page 213



Japanese dimensions made from iglidur® J4: RJ4JP-01
▶ Page 214



Low-cost made from iglidur® J260: RJ260UM-02
▶ Page 215

drylin® R linear plain bearings



Closed aluminium adapters: RJUM-01
▶ Page 216



Closed aluminium adapters, precise: RJUM-11
▶ Page 217



New
Adapter with clip-in liners made from iglidur® W360: RW360CM-01-12
▶ Page 218



Closed adapters made of stainless steel 303: RJUM-ES
▶ Page 220



Closed, anodised aluminium adapters: RE7UM-01
▶ Page 221



Closed, aluminium adapters, short design: RJUM-02
▶ Page 222



Closed, anodised aluminium adapters, short design: RE7UM-02
▶ Page 223



Closed aluminium adapters floating bearings: RJUM-03
▶ Page 224

drylin® R linear plain bearings



Split aluminium adapters: TJUM-01
▶ Page 225



Split aluminium adapters, floating bearings: TJUM-03
▶ Page 226



Open, anodised aluminium adapters, for supported shafts: OJUM-01
▶ Page 227



Open aluminium adapters, floating bearing: OJUM-03
▶ Page 228

drylin® R pillow blocks



Closed aluminium adapters, short design: RJUM-05
▶ Page 230



Closed, adjustable aluminium adapters, short design: RJUME-05
▶ Page 231



Split aluminium adapters, short design: TJUM-05
▶ Page 232



Closed aluminium adapters, tandem design: RJUMT-05
▶ Page 233

drylin® R pillow blocks



Closed aluminium adapters, long design: RJUM-06
▶ Page 234



Closed aluminium adapters, with manual clamp: RJUM-06-XX-HK
▶ Page 235



Closed housings, floating bearings: RJUM-06-XX-LL
▶ Page 236



Open housings, floating bearings: OJUM-06-XX-LL
▶ Page 237



Open aluminium adapters, long design: OJUM-06
▶ Page 238



Open aluminium adapters, with manual clamp: OJUM-06-XX-HK
▶ Page 239



Open, adjustable aluminium adapters, long design: OJUME-06
▶ Page 240



New
Split linear housings made of solid plastic: RJUMP-05-12
▶ Page 241

drylin® R flanged linear plain bearings



Closed aluminium adapters, round flange: FJUM-01
▶ Page 242



Closed aluminium adapters, square flange: FJUM-02
▶ Page 244



Closed aluminium adapters, round flange, tandem design: FJUMT-01
▶ Page 246



Closed aluminium adapters, square flange, tandem design: FJUMT-02
▶ Page 248



New
Adapter with clip-in liners made from iglidur® W360, round flange: FRW360CM-XX-XX
▶ Page 250

drylin® R pillow blocks



Quad blocks, closed design:
RQA
▶ Page 252



Quad blocks, open design:
OQA
▶ Page 253



Closed tandem design:
RTA
▶ Page 254



Open tandem design:
OTA
▶ Page 255



Closed, long design:
RGA
▶ Page 256



Open, long design:
OGA
▶ Page 257



Closed, short design:
RGAS
▶ Page 258

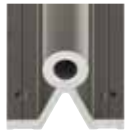


Open, short design:
OGAS
▶ Page 259

drylin® shafts



Precision aluminium shafts:
AWMP/AWMR
▶ Page 268



Supported aluminium shafts:
AWMU
▶ Page 269



Steel shafts:
SWM/SWMH
▶ Page 270



Supported steel shafts:
SWUM/SWUMN
▶ Page 271



Stainless steel shafts:
EWM/EEWM/EWMR
▶ Page 272



Supported stainless steel shafts:
EWUM
▶ Page 274



Low-level supported stainless steel shafts:
EWUMN
▶ Page 275



Partially supported stainless steel shafts:
EWUM-ES/EWUMS-ES
▶ Page 276

drylin® shafts



Low-level partially supported stainless steel shafts:
EWUMN-/EWUMSN-ES
▶ Page 278



Carbon fibre shafts:
CWM
▶ Page 280



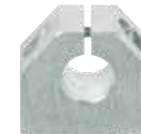
Shaft end supports, floating:
TA
▶ Page 281



Shaft end supports, fixed:
TAF
▶ Page 282



Shaft end blocks, standard design:
WA
▶ Page 283



Shaft end blocks, compact design:
WAC
▶ Page 284



Shaft end blocks, narrow design:
WAS
▶ Page 285



Flanged shaft end blocks:
WAF
▶ Page 286

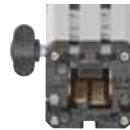
drylin® Q square linear guides



Square section linear rails:
AWMQ
▶ Page 292



Adjustable linear carriages:
QWE-01
▶ Page 293



Adjustable linear carriages with manual clamp:
QWE-01-XX-HKA
▶ Page 294



Pillow blocks:
QJRM(T)-05
▶ Page 295



Fixed flange bearings with round flange:
QJFM(T)-01
▶ Page 296



Fixed flange bearings with square flange:
QJFM(T)-02
▶ Page 296



Solid plastic linear bearings:
QJRM(T)-01
▶ Page 297



Accessories for drylin® Q
▶ Page 298

drylin® Q square linear guides



Clearance adjustment for columns:
ASDJ
▶ Page 299



Integrated measuring systems for drylin® Q:
QKM
▶ Page 306



Ready-to-install measuring systems for drylin® SLW linear modules:
SLWM
▶ Page 307



Digital measuring system for drylin® W:
WKM2
▶ Page 308



Measuring system with positionable readout display for drylin® W:
WKMEDR
▶ Page 309



Measuring systems for external data output for drylin® W:
WKMEX
▶ Page 310



Stop motion measuring system with rail scale:
NKV-27-MES-XXXX
▶ Page 311

drylin® carbon fibre



Extremely lightweight linear guides:
WSPC, WWPL
▶ Page 316



Non-metallic toothed belt axis:
ZLW-XX-P
▶ Page 317



Linear module with carbon fibre high profile:
SAW-XX-P
▶ Page 318



Linear module with carbon fibre hollow shaft:
SHTP-XX-CWM
▶ Page 319



Carbon fibre hollow shafts:
CWM
▶ Page 320

drylin® stainless steel



Closed adapters made of stainless steel 303:
RJUM-XX-ES
▶ Page 323



Stainless steel guides, single rails:
WS-XX-ES-FG
▶ Page 324



Pillow blocks, made from 316 stainless steel:
WJUM-XX-ES-FG
▶ Page 325



Hybrid roller bearings made of stainless steel:
WJRM-01/WJRM-21
▶ Page 326



New

Pillow blocks, round made of stainless steel:
WXUMA-01-10-ES
▶ Page 327



Stainless steel guides, double rails:
WS-10-XX-ES-FG
▶ Page 328



Assembled stainless steel guide carriages, round:
WW-XX-GESG-PES
▶ Page 329



Supported single rails, hygienic design:
WS-20-ES2-HYD
▶ Page 330

drylin® stainless steel



Supported double rails, hygienic design:
WS-20-120-ES2-HYD
▶ Page 331



Stainless steel shafts:
EWM/EEWM/EWMR
▶ Page 332



Supported stainless steel shafts:
EWUM
▶ Page 334



Partially supported stainless steel shafts:
EWUM-ES/EWUMS-ES
▶ Page 336



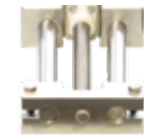
Low-level supported stainless steel shafts:
EWUMN
▶ Page 338



Low-level partially supported stainless steel shafts:
EWUMN
▶ Page 340



Stainless-steel linear modules:
SHT-ESJ
▶ Page 342



"Hygienic design" linear module:
SHTC-XX-HYD
▶ Page 343

drylin® stainless steel



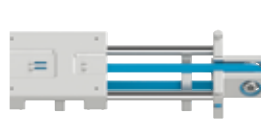
Stainless steel linear modules:
SLW-ES
▶ Page 344



XY table stainless steel version:
SLW-XY-ES
▶ Page 345



Stainless steel toothed belt modular drive system:
ZLW-20
▶ Page 346



New

ZLW linear module, hygienic design:
ZLW-20120-HYD
▶ Page 347

Lubrication-free drylin® linear guides

drylin® is a product range of lubrication-free linear plain bearings based on the principle of sliding instead of rolling. Tribologically optimised iglidur® high-performance polymers are used as sliding surfaces. The drylin® linear systems use dry operation and are maintenance-free. Linear guides with rails or shafts are available.

The focus is on, besides the freedom from maintenance and lubrication, the ruggedness and insensitivity to influences such as dirt, water, chemicals, heat or impacts.


- Lubrication-free and resistant to dust and dirt
- High static load capacity
- Light, quiet and clean
- Robust and cost-effective

Typical application areas

- Mechanical engineering
- Woodworking industry
- Medical and rehabilitation technologies
- Interior design (furniture/aircraft)
- Automation

 **Available from stock**
Detailed information about delivery time online.

 **Price breaks online**
No minimum order value. No minimum order quantity

 **Service life calculation**
▶ www.igus.eu/drylin-expert

Superior operating properties by combining iglidur® bearing elements and anodised rails with round shaft profiles

Corrosion-resistant with hard-anodised running surface

Quiet operation

Profiles available in various geometries, installation sizes and clearances

Clean as no lubrication required

Lightweight due to the use of plastics and aluminium

Maintenance-free due to integrated lubricants

Smooth operation with iglidur® sliding elements

drylin® rail guides

drylin® W profile guides

- Complex modular systems with more than 30 different profiles and more than 50 carriage options
 - Versatile
 - Easy installation
- ▶ From page 53

drylin® N low-profile guides

- Low profile installation heights from 6 to 12mm
 - Lightweight
 - Many carriage options - also with pre-load
 - Pre-load prism slide for controlled adjustment
- ▶ From page 131

drylin® T rail guides

- Same dimensions as ball guide systems
 - Adjustable bearing clearance
 - Automatic clearance adjustment
 - High static load capacity
- ▶ From page 159

drylin® shaft guides

drylin® R shaft guides

- Dimensions identical to recirculating ball bearings
 - For all shaft materials
 - Lightweight
 - Replaceable liners
- ▶ From page 179

drylin® Q square linear guides

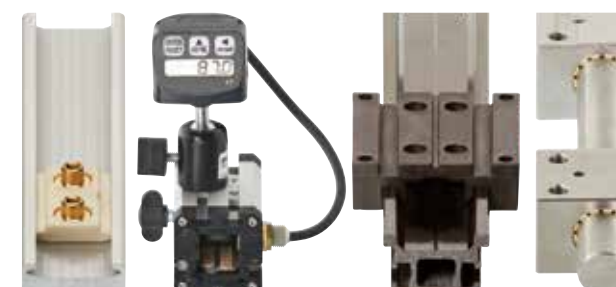
- Lubrication-free, torque-resistant square linear guides
 - Lightweight profiles made from hard-anodised aluminium
 - Manual adjustable carriages with/without manual clamp
 - Numerous fastening options
- ▶ From page 289

Measuring systems

▶ From page 301

Special solutions with carbon fibre and stainless steel

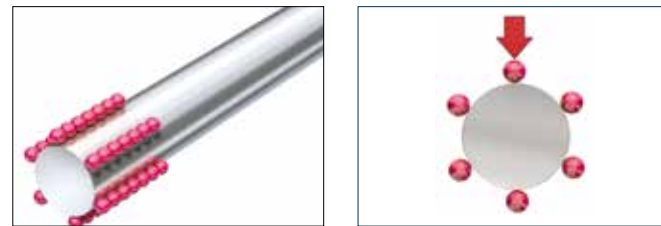
▶ From page 313



drylin® is a range of maintenance and lubrication-free linear plain bearings. This range includes linear units with lead screw, rack and toothed belt drives. The focus is on, besides the freedom from maintenance and lubrication, the ruggedness and insensitivity to influences such as dirt, water, chemicals, heat or impacts.



- Maintenance-free
- Wear-resistant
- Resistant to impacts and vibrations
- Corrosion-resistant
- Resistant to dirt, dust and humidity
- Low coefficient of friction
- Weight reduction
- Dry operation
- Suited for short-stroke applications
- High static load capacity
- High speeds and accelerations possible
- Self-lubricating
- Extremely quiet operation
- Low level of magnetism



Rolling bearings - Point contact



Plain bearings - Surface contact



Resistant to dirt, dust and moisture - by lubrication free insert and dirt channels.

Optimum load distribution

drylin® linear plain bearings operate on sliding elements unlike the traditional recirculating ball bearing systems. This gives a larger contact surface resulting in lower surface pressure. This leads to advantages which include:

- The use of non-hardened shafts
- The use of non-metallic shafts
- Scratching and shaft damage is completely excluded

Shafts and rail materials

The large surface area of drylin® linear plain bearings, when compared to traditional ball bearings, means that under a given load the bearing pressure is greatly reduced. This allows soft shaft materials to be used, including hard-anodised aluminium, which in turn gives additional benefits in friction and wear rate values, carbon fibre shafts, which offer the lightest option and stainless steel for the highest chemical resistance. Of course, hardened steel and stainless steel shafts as well as hard-chromed shafts can also be used with drylin® linear bearings.

Dry operation, without lubrication

drylin® linear bearing systems are designed for dry operation. As there is no grease or oil present, the application tends to naturally self clean, any particles are wiped away from the sliding surface by the ribbed design of the drylin® polymer bearing. This works well in coarse dirt or even sand. Particles are repelled from the contact surface by the movement itself. Here the front of the sliders works like a wiper. The contact surface remains clean.

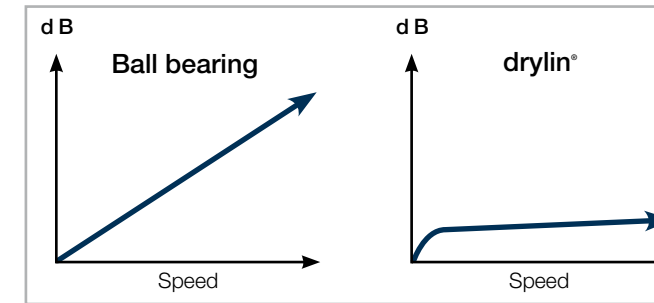
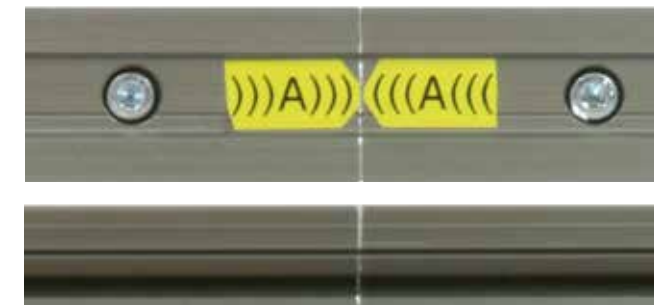


Figure 01: Comparison of noise development



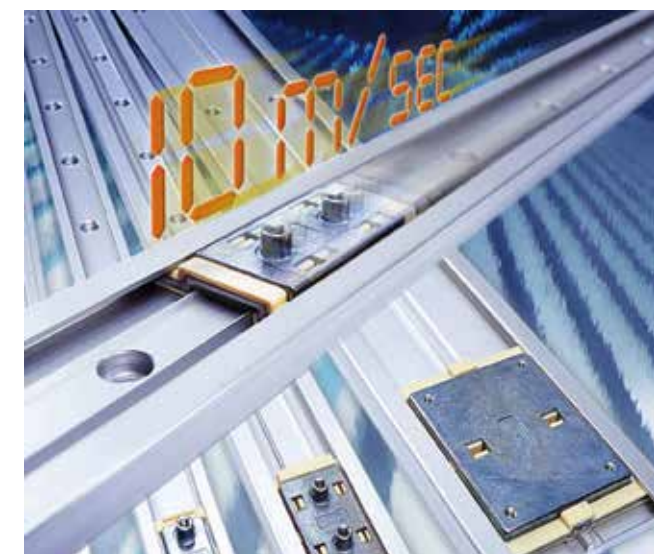
Track joint

Quiet

The quiet operation is also a benefit of sliding rather than rolling. There are no loud collisions between a hard steel ball and the glide surface. The sliding motion is extremely quiet and only a light friction noise is audible.

Maximum stroke lengths

The lining up of guide rails (joining) poses no challenge for drylin® linear guides. The guide rails are slightly chamfered, aligned and simply placed behind each other. The joint can be passed over by the sliding element without problems. With the drylin® linear plain bearings, a ball or roller cannot get stuck. In this way stroke lengths of more than 20 meters can be implemented. Assembly is simplified by the distinctive joint marking provided at the factory.



Permitted speeds/acceleration

drylin® linear plain bearings do without rollers and balls. This makes the bearing independent of the mass inertia of this body and can be used with high speeds up to 10m/s and accelerations up to 100g.

drylin® linear bearings are therefore especially suitable for applications with light loads, where the speeds should be increased. The use of hard-anodised aluminium as a friction partner lowers the operating temperature in the bearing due to the high thermal conductivity of aluminium. Thus the operation can be carried out with a high frequency even at very short stroke lengths.

The maximum average surface speed results from the load on the bearings. With decreasing surface load, higher speeds can be achieved. More important than the maximum speed reached is the average speed over a period of time, because this has the most influence on the heating of the bearing system. In cases with breaks between the individual cycles, the maximum average surface speed is critical, which is achieved during a period of 10 to 30 minutes.

Thermal conductivity	[W / m · K]
Aluminium	235
Unalloyed steel	48-58
High-alloyed steel	15

Table 01: Thermal conductivity

Average surface speed

= Travel distance per cycle [m] / total cycle time [sec].



Extreme application conditions in the offshore industry



Filling machine, Krones AG, Rosenheim (Germany)

Corrosion behaviour

The low humidity absorption of iglidur® J, J200 and X permits even underwater applications. The application of stainless steel or anodised aluminium shafts provide for a corrosion-resistant guide. Anodised aluminium is resistant to chemically neutral substances in the range pH 2 to 7. For special applications separate tests are recommended for coated aluminium sample parts for that specific application.

Chemical resistance

igidur® J is resistant to weak acids, diluted alkalis as well as to fuels and all kinds of lubricants. The intensive cleaning of machines with standard commercial cleaning agents, even in the food sector, is therefore not a problem for the guides. For applications in environments with aggressive chemicals, it is recommended to use drylin® R linear bearings equipped with iglidur® X liners. The resistance of linear bearing systems is equally dependent on the counter partner. The most chemical-resistant option can be a high-alloyed steel stainless steel shaft, for instance high grade steel (AISI 440B), or alternatively the use of soft VA steels (e.g. (AISI 316Ti)).

Operating temperatures

Sliding elements made from iglidur® J and J200 can be used in the temperature range between -40 and +90°C. The continuous operating temperature for overmoulded sliding elements is +50°C. In applications with aluminium shafts and/ or rails, distinctly higher loads and speeds can be attained due to the excellent thermal conductivity. Sliding elements made from iglidur® X can be used in the range of -100°C to +250°C.

Use in dirt

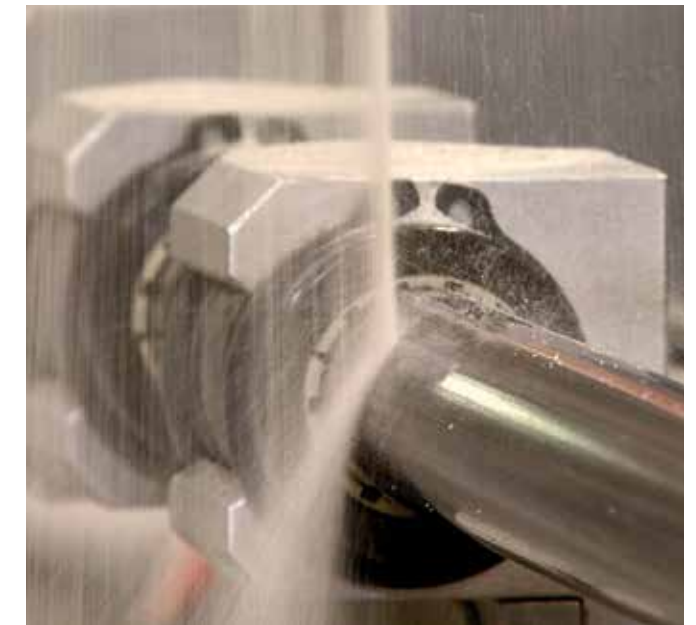
Even the application under coarse dirt and sand is possible. Particles are repelled from the contact surface by the movement itself. Seals can be dispensed with due to the dry operation. Dust and dirt cannot stick to grease or oil.

Surfaces

Hard-anodised surfaces are characterised by good wear properties, high chemical resistance and a high degree of hardness. It is a technical and not a decorative surface. Colour alteration and slight cracking may occur, but do not influence the resistance, the corrosion behaviour or the sliding properties.

Eloxal stands for the electrolytic oxidation of aluminium. This gives the CA rail profiles a silver/colourless surface that is resistant to corrosion and wear. A lot of aluminium profiles are also available as black anodised (AR anti-reflect) versions. Both variants (CA/AR) are suitable for applications that require consistent colouring.







Cutting surfaces and machined surfaces are uncoated.



Lubrication-free and resistant to dust and dirt



The iglidur® X material in heavy-duty use under high temperatures in foundries

	 The All-rounder - iglidur® J	 The specialist - iglidur® J200	 The extreme - iglidur® X
Application temperature	-50 up to +90°C	-50 up to +90°C	-100°C up to +250°C
Best coefficient of friction with	Steel shaft	Aluminium, hard-anodised	Hard-chromed steel
Volume resistance	> 10 ¹³ Ωcm	> 10 ⁸ Ωcm	< 10 ⁵ Ωcm
Moisture absorption	1.3% weight	0.7% weight	0.5% weight
Maximum service life with	Hard-anodised aluminium	Aluminium, hard-anodised	Hardened stainless steel
Potential counter partner	All shaft materials	Aluminium, hard-anodised	Hardened stainless steel
Permissible stat. surface pressure	35MPa	23MPa	150MPa
Part No.	JUM-...	J200UM-...	XUM-...
	 The endurance runner - iglidur® E7	 The FDA-compliant - iglidur® A180	 Blue Sky Thinking FDA/ EU-compliant - iglidur® A160
Application temperature	-50°C up to +70°C	-50 up to +90°C	-50 up to +90°C
Best coefficient of friction with	Steel/stainless steel shaft	Stainless steel shaft	Hardened stainless steel shafts
Volume resistance	> 10 ⁹ Ωcm	> 10 ¹² Ωcm	> 10 ¹² Ωcm
Moisture absorption	< 0.1wt.-%	0.2% weight	< 0.1wt.-%
Maximum service life with	Steel/stainless steel shaft	Stainless steel shaft	Hardened stainless steel shafts
Potential counter partner	Steel/stainless steel shaft	All shaft materials	Stainless steel
Permissible stat. surface pressure	18MPa	28MPa	15MPa
Part No.	E7UM-...	A180UM-...	A160UM-...

igus® provides various materials for sliding elements and mating partners for drylin® linear systems. Extensive lab tests and years of field experience have shown that iglidur® J, J200 and X are the ideal materials for most linear applications due to their favourable wear and friction properties.

Ideal material combinations

iglidur® J:

- Maintenance-free dry operation
 - Low coefficient of friction with all materials
 - Excellent wear resistance
 - Low moisture absorption
- More about iglidur® J ► www.igus.eu/J-material

iglidur® J200:

- Completely maintenance-free
 - Extremely long service life on hard-anodised aluminium
 - Low coefficient of friction with anodised aluminium
 - Excellent wear resistance with anodised aluminium
- More about iglidur® J200 ► www.igus.eu/J200-material

iglidur® X:

- Completely maintenance-free
 - Temperature-resistant from -100°C to +250°C
 - Continuous operation
 - Universal chemical resistance
 - Low moisture absorption
- More about iglidur® X ► www.igus.eu/X-material

Other possible materials:

iglidur® A180, FDA-compliant

► More about iglidur® A180 ► www.igus.eu/A180-material

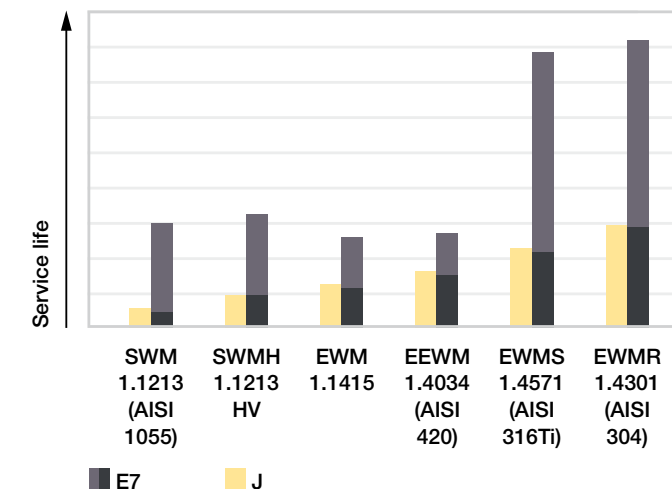
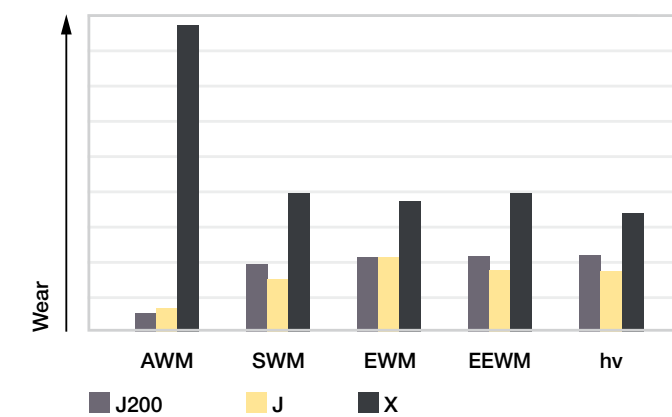
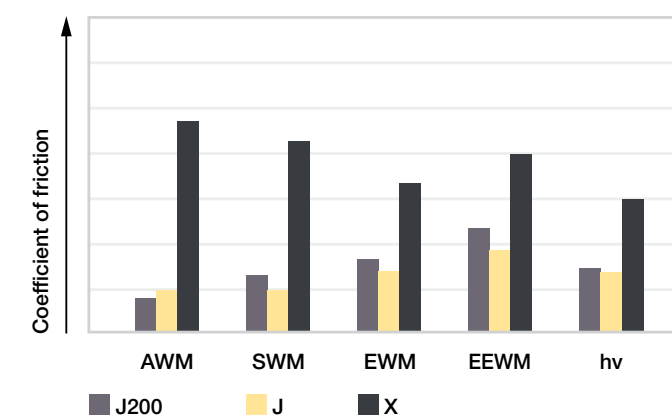
iglidur® A160, Compliant with Regulation (EU)

No. 10/2011 and FDA guidelines

► More about iglidur® A160 ► www.igus.eu/A160-material

iglidur® E7, the endurance runner all-rounder

► More about iglidur® E7 ► www.igus.eu/E7-material



Properties									
	Installation sizes	Lubrication-free and quiet operation	Dimensionally interchangeable with recirculating ball bearings	Profile rails	Shafts	Square profiles	Single pillow block	Complete carriage	Hybrid roller bearing
drylin® W	5	●	●	●			●	●	●
drylin® N	4	●		●				●	
drylin® Q	3	●				●	●	●	
drylin® T	4	●	●	●				●	
drylin® T mini	4	●	●	●				●	
drylin® R	12	●	●		●		●		

Special features								
	Loads > 100kg	For robust requirements	Resistant to dirt	Compact, space-saving	Particularly light weight	Torque-resistant	Torsionally stable	Unsupported installation
drylin® W	+	+	+++	+	+	+	+++	+
drylin® N			+	+++	+++	+		
drylin® Q			+	+	+	+++	+	+++
drylin® T	+	+	+			+	+	
drylin® T mini			+	+++	+++	+		
drylin® R	+++	+++	+++					+

Technical options								
	Manual adjustable bearing clearance	Automatic adjustable bearing clearance	Automatic pre-load	Floating bearing function	Manual clamp	with measuring system	with lead screw drive	with toothed belt drive
drylin® W	+		+++	+	+	+	+	+
drylin® N			+++	+	+		+	+
drylin® Q	+				+	+		
drylin® T	+	+		+	+			
drylin® T mini	+			+			+	
drylin® R				+			+	

Application areas								
	Stainless steel components	Temperatures above +90°C	Chemical-resistant	FDA-compliant	Cleanroom and ESD	Door/control panel adjustments	Camera slider	3D-print components
drylin® W	+++	+++	+++	+++	+	+++	+++	+++
drylin® N		+			+	+	+	+++
drylin® Q					+			
drylin® T		+			+++			
drylin® T mini					+	+		+++
drylin® R	+++	+++	+++	+++	+			+++

⊕ suitable ⊕⊕ particularly suitable

Aluminium profiles	
	Aluminium, extruded section according to EN AW 6061/6060
Shafts and rail profiles	Surfaces
drylin® W, drylin® T ¹⁵⁵⁾ , drylin® R, drylin® Q	hard-anodised, bare surface
drylin® N, profile with CA marking	clear-anodised, bare surface
drylin® N, profile with AR marking	black-anodised (anti-reflect), bare surface
¹⁵⁵⁾ Exception: TS-11-20 clear-anodised	
Profile straightness tolerances	
Shafts AWMP/AWMR	DIN 754-3; 2mm/m, local 0.6mm/300mm
	DIN EN 12020-2
	Total length up to 1,000mm; Straightness 0.7mm
	Total length up to 2,000mm; Straightness 1.3mm
	Total length up to 3,000mm; Straightness 1.8mm
	Total length up to 4,000mm; Straightness 2.2mm
Profile rails AWMU/AWMQ, WS/NS/TS	

For linear guide systems in conjunction with igus® plain bearings made of iglidur® materials, we recommend drylin® aluminium guide shafts AWMP. The mentioned tolerance specification (h8) refers to the interaction of the components to a bearing and provides information on the basic bearing clearance. Due to the manufacturing process, aluminium shafts have areas with diameter fluctuations above the nominal dimension in the µm range, which are not critical for use within a linear plain bearing. For use as a piston rod, dowel pin or ball bearings, we recommend SWM steel or EWM stainless steel shafts with tolerance h6.

Length tolerances of the profiles cut-to-length by igus® [mm]

Length	<400	>400-1,000	>1,000-2,000	>2,000-4,000
Permissible variations of the standard saw length according to DIN ISO 2768-m	±0.5	±0.8	±1.2	±2.0

Minimum rail profile saw lengths [mm]

drylin® W	Hole spacing				Without holes
	C4 = 60 ¹⁶²⁾	C4 = 120 ¹⁶²⁾			
Rail profiles WS, WSQ, WSX	100	160			100
drylin® N	C4 = 60 ¹⁶²⁾				C4 = 150 ¹⁶²⁾
Size 17/27 (miniature) NS, NS-AR, NSV, NSV-AR	100	-			70
Size 40/80 NS, NS-AR	100	200			100
drylin® T	C4 = 15/20/25/40		C4 = 60 ¹⁶²⁾	C4 = 80 ¹⁶²⁾	C4 = 120 ¹⁶²⁾
Installation size 04 (miniature) TS-04	70		-	-	70
Installation size 01/11 TS-01/TS-11	-		100	120	160

¹⁶²⁾ L min: C5 min + C4 + C6 min; saw length examples: drylin® WS-20 rail: C5 min = 20 mm; C4 = 120mm; C6 = 20mm; 20mm + 120mm + 20mm = 160mm (min. saw lengths). Lengths less than the minimum saw length upon request

Minimum shaft/square shaft saw lengths [mm]

drylin® R	Hole spacing				
	Shafts AWMP/AWMR				
	100				
	T1 = 75 ¹⁶³⁾	T1 = 100 ¹⁶³⁾	T1 = 120 ¹⁶³⁾	T1 = 150 ¹⁶³⁾	T1 = 200 ¹⁶³⁾
Supported shaft AWMU	115	140	160	190	240
drylin® Q	Square profile AWMQ				
	100				

¹⁶³⁾ L min: C5 min + T1 + C6 min; saw length examples: AWMU-20 supported shaft: C5 min = 20mm; T1 = 100mm; C6 min = 20mm; 20mm + 100mm + 20mm = 140mm (min. saw length)

Lengths less than the minimum saw length upon request

drylin® curved linear guide profiles


igus® provides customised curved rails for the drylin® W product range. This is especially for the requirements in operating ergonomics, e.g. guiding monitors and control systems in a radius to ensure safe and easy accessibility. New standards can be set in design and construction with a drylin® curved guide.


- Lubrication-free drylin® W carriages for curved rails
- ▶ **Page 103**
- Variable profile directions
- Torque-resistant alternative to curved tube profiles
- Bending option depending on the radius, rail length, bearing/carriage and mounting
- Customised project service

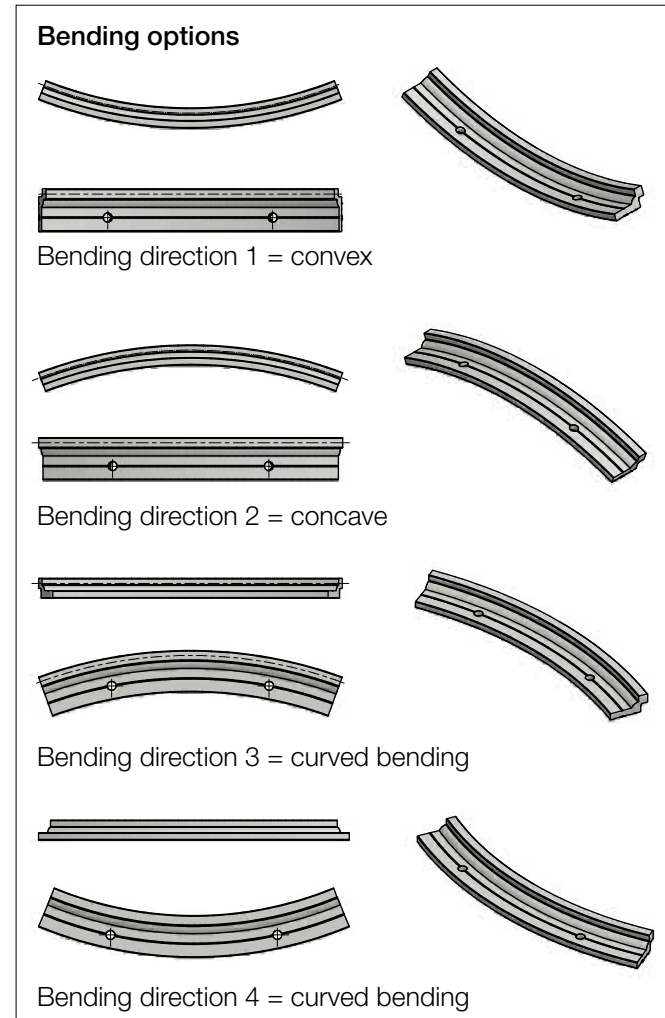


Curved drylin® linear technology - for ergonomic operation and optimal field of view

Bending can give rise to surface changes (anodising, torsion) as a result of the deformation. Rail profiles with clear anodised (CA) surfaces that are undersized by up to 0.15 below nominal diameters are used to improve the surface finish of the curved rails. We recommend a bend radius of no less than 300mm and would like to point out that the surface finish quality after the bending process depends on the material quality. It may vary from batch to batch.

 **Curved rail profiles**
▶ Page 98

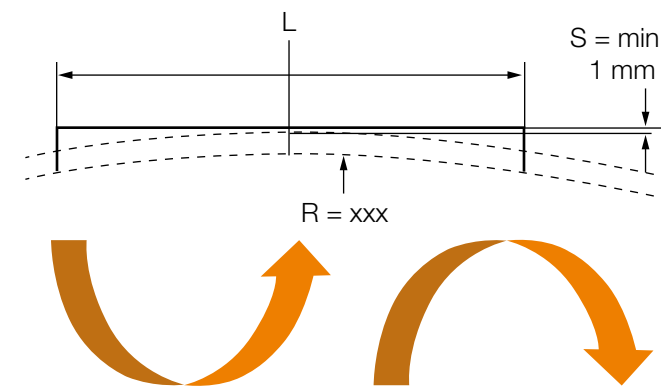
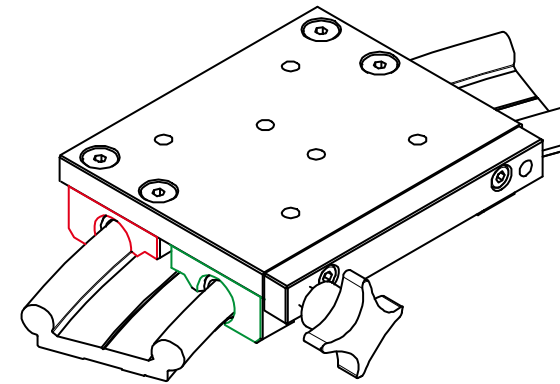
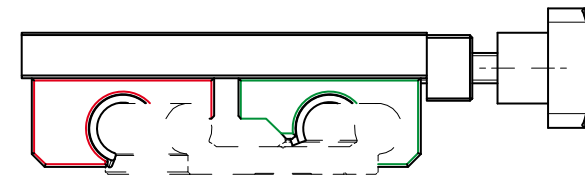
 **More Information and checklist online**
▶ www.igus.eu/curved



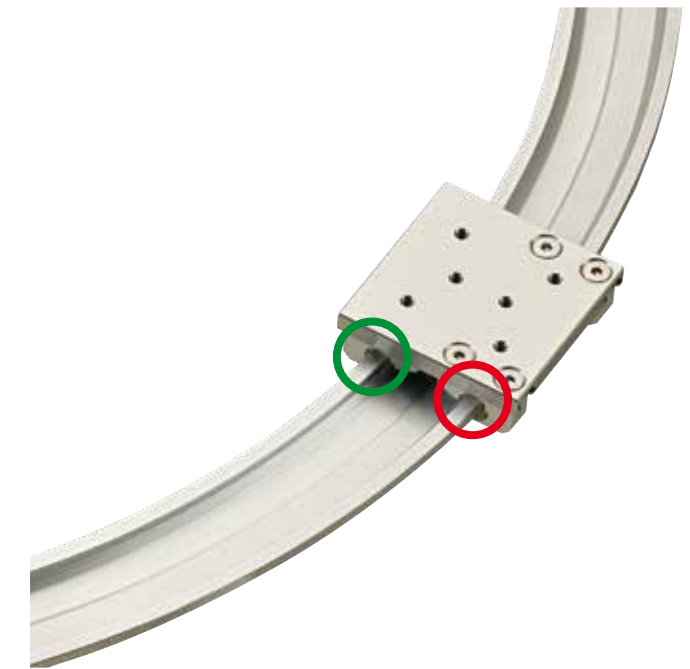
Different radii and bending directions available upon request

Installation of curved guides

The floating bearing side should always be located on the inner guidance when bending in a curve. This is due to the fact that the rail is compressed on the inside and requires a larger bearing diameter. The fixed bearing can be easily identified by the bearing housings, which are attached with four screws. The floating bearings are also marked on the bearing element.



With the concave/convex rails, the length (L) of the carriage is decisive for the desired radius. If the radius decreases and the sliding distance (L) increases, the gap (S) shrinks. The gap must be at least 1mm wide to prevent the rail from colliding with the carriage even after the wear limit has been reached.



 **Floating bearing**  **Fixed bearing**



Floating bearings for guide systems

In the case of a system with two parallel guides, one side needs to be fitted with floating bearings. A suitable solution comprising fixed and floating bearings is available for every installation position, whether horizontal, vertical or lateral. This type of assembly prevents jamming and blockage on the guides resulting from discrepancies in parallelism. Floating bearings are created through a controlled extension of the clearance in the direction of the expected parallelism error. During installation, take care that the floating bearing has approximately the same clearance on both sides. You can see the version of the fixed/floating bearing system recommended by us in the designs shown in the individual sections about the systems. The mounting surfaces of the guides and carriages should possess a good evenness (e.g. machined surface) to prevent twisting in the system. Smaller areas of mounting surface unevenness can be compensated to a certain extent by the floating bearing.

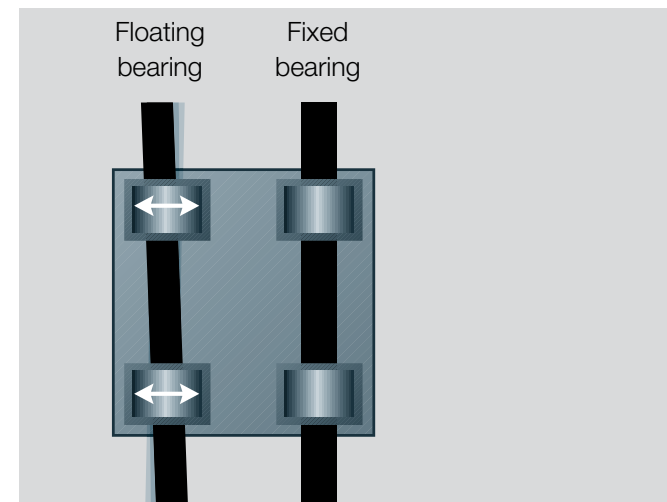


Figure 02: Automatic compensation of parallelism errors

Eccentric forces

To ensure successful use of maintenance-free drylin® linear bearings, it is necessary to follow certain recommendations: if the distance between the driving force point and the fixed bearings is more than twice the bearing spacing (2:1 rule), a static friction value of 0.25 can theoretically result in jamming on the guides. This principle applies regardless of the value of the load or drive force. The friction product is always related to the fixed bearings. The greater the distance between the drive and the guide bearing, the higher the wear and required drive force. Failure to observe the 2:1 rule during a use of linear plain bearings can result in uneven motion or even system blockage. Such situations can often be remedied with relatively simple modifications. If you have any questions on design and/or assembly, please make use of our technical support.

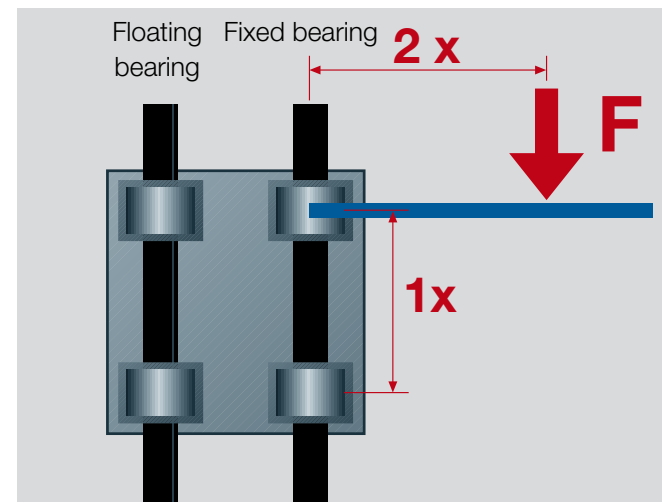


Figure 03: The 2:1 rule

Tightening torque for drylin® metallic screws

Metric thread (Da)	tightening torque	Recommended tightening torque	
	[Nm]	[Nm]	[Nm]
M3	0.5 - 1.1		0.7
M4	1.0 - 2.8		1.5
M5	2.0 - 5.5		3.0
M6	4.0 - 10.0		6.0
M8	8.0 - 23.0		15.0
M10	22.0 - 46.0		30.0

Please be aware of the minimal screw-in depth for aluminium and zinc die-casting parts: 1.5x D_a

Cleanroom suitability and ESD compatibility of drylin®

drylin® linear guides from igus®

All drylin® guides are clearly qualified for cleanroom applications. The differentiation between the various cleanroom classes is only dependent on load and speed of the application. The combination of iglidur® J and hard-anodised aluminium is classified as level 1 in the ESD compatibility according to SEMI E78-0998 (highest rank).



The measurement results of the ESD compatibility according to SEMI E78-0998 show that the linear guide system drylin® NK-02-40-02 can be classified as "level 1" (highest rank). See Fraunhofer IPA Report No.: IG 0308-295 73

TK-01-25-02 drylin® linear guide system

"For the linear guide system drylin®

The following drylin® guides from igus® were tested: N40, W10, T25 and T30. See below for detailed results.

drylin® TK-10-30-01 linear guide system

"For the linear guide system drylin® TK-10-30-01 by igus® GmbH, it is possible, on the calculations of the likelihood of violation of threshold values of the detection sizes 0.2µm, 0.3µm, 0.5µm, and 5µm with motion speed of $v = 0.1\text{m/s}$, to clearly derive suitability for cleanrooms classified as ISO Class 3 according to DIN EN ISO 14644-1."

NK-02-40-02 drylin® linear guide system

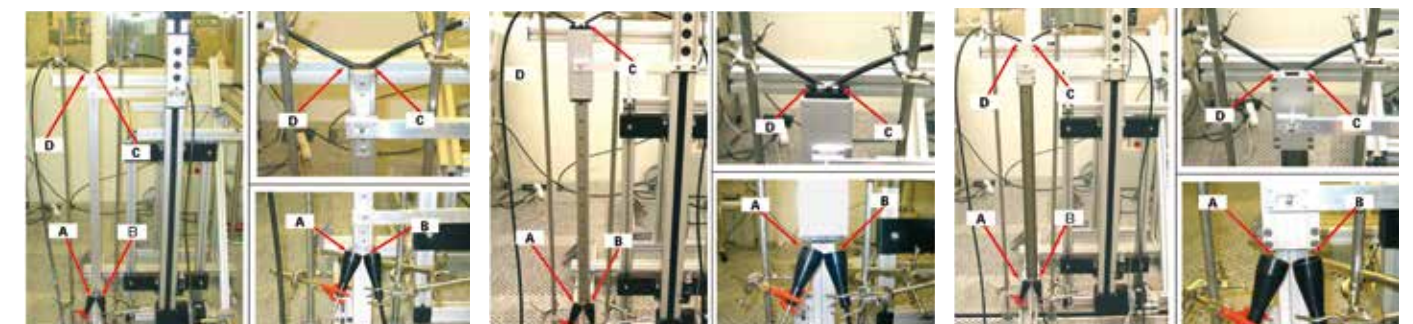
"For the linear guide system drylin® NK-02-40-02 by igus® GmbH, it is possible, on the calculations of the likelihood of violation of threshold values of the detection sizes 0.2µm, 0.3µm, 0.5µm, and 5µm with motion speed of $v = 1\text{m/s}$, to clearly derive suitability for cleanrooms classified as ISO Class 6 according to DIN EN ISO 14644-1."

TK-01-25-02 by igus® GmbH, it is possible, on the calculations of the likelihood of violation of threshold values of the detection sizes 0.2µm, 0.3µm, 0.5µm, and 5µm with motion speed of $v = 1\text{m/s}$, to clearly derive suitability for cleanrooms classified as ISO Class 5 according to DIN EN ISO 14644-1." The measurement results of the ESD compatibility according to SEMI E78-0998 show that the linear guide system drylin® TK-01-25-02 can be classified as "level 1" (highest rank).

WK-10-40-15-01 drylin® linear guide system

"For the linear guide system drylin® WK-10-40-15-01 by igus® GmbH, it is possible, on the calculations of the likelihood of violation of threshold values of the detection sizes 0.2µm, 0.3µm, 0.5µm, and 5µm with motion speed of $v = 1\text{m/s}$, to clearly derive suitability for cleanrooms classified as ISO Class 6 according to DIN EN ISO 14644-1." The measurement results of the ESD compatibility according to SEMI E78-0998 show that the linear guide system drylin® WK-10-40-15-01 can be classified as "level 1" (highest rank).

See Fraunhofer IPA Report No.: IG 0308-295 74





Expert for linear guides: System selection and service life calculation with CAD
 Configure and calculate the service life of linear bearings - constantly expanded by new sizes and products
 Easily calculate the service life of your required linear guide and configure with a few clicks. Select a drylin® system and add the relevant environmental parameters. Select the bearing size, carriage, number and position. Then enter the distance between the rails and the mounting. Define more relevant parameter of the guidance and select a rail length. The results are displayed.



► www.igus.eu/drylin-expert



Download the online tool
 app now



drylin® CAD configurator: Generate complete 3D models for drylin® linear technology according to your specifications
 The igus® CAD online configurator gives you the ability to design and save your linear guide as a system, individual components directly as a 3D model in all commonly used formats, or to have these sent by e-mail - free of charge and without registration.



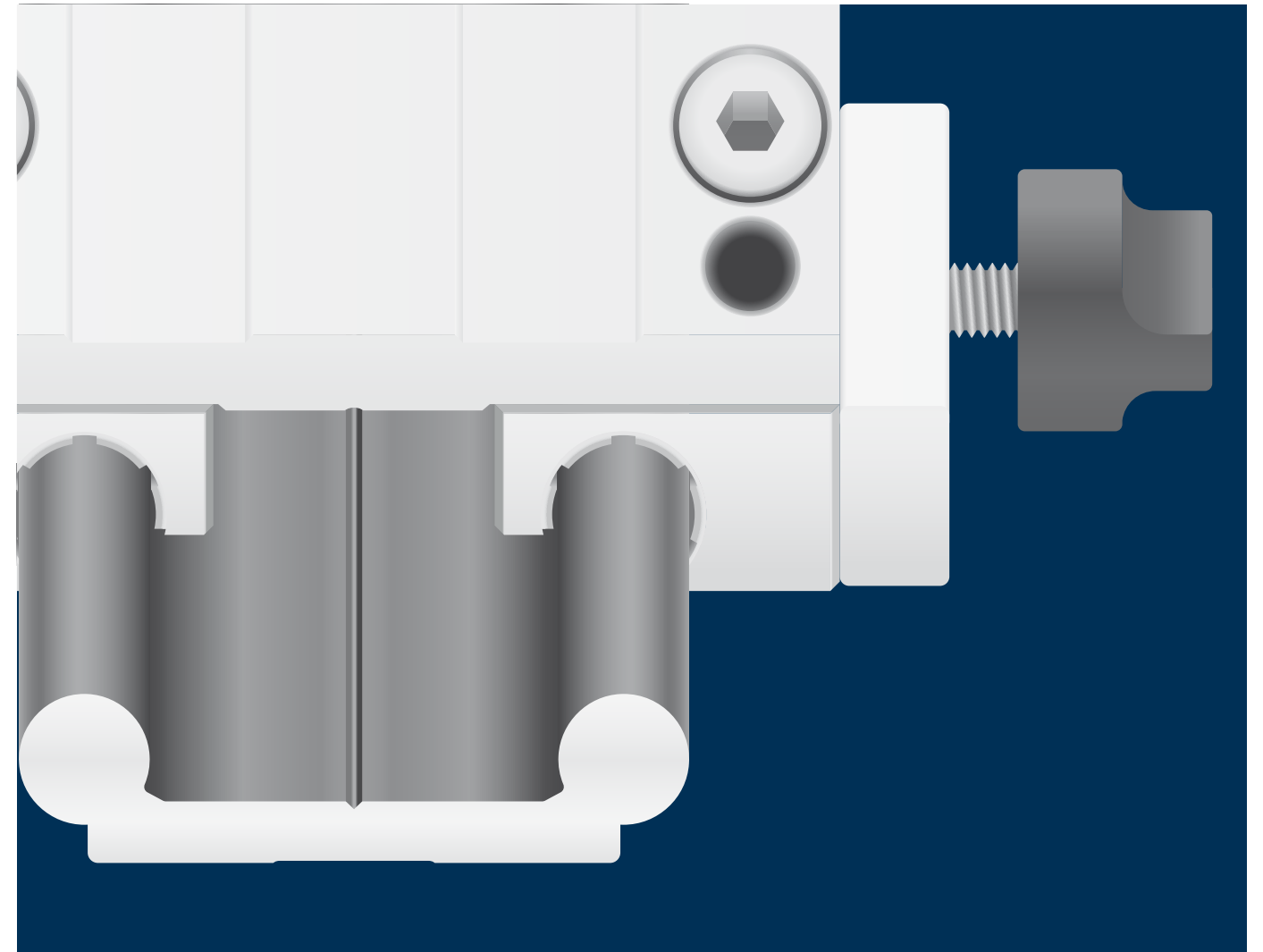
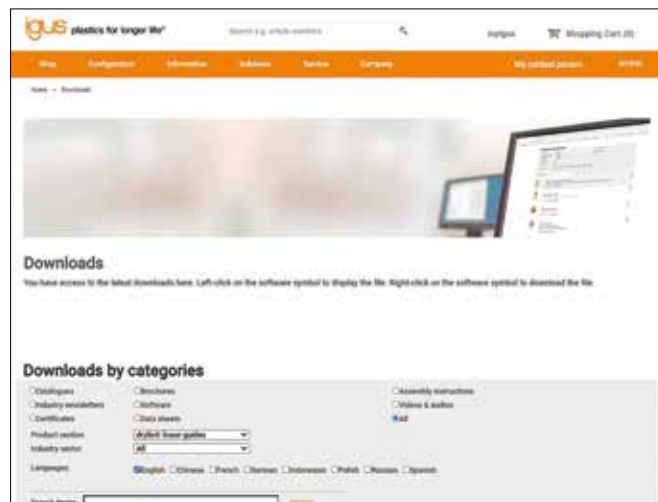
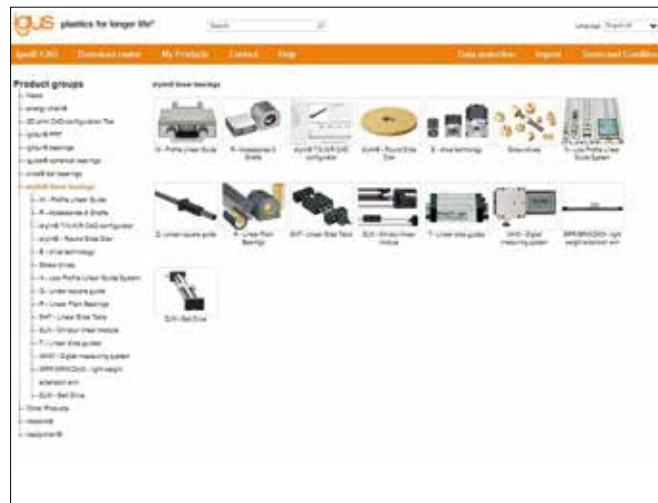
► www.igus.eu/drylin-CAD

More information about the products can be found in the igus® download area

- Assembly instructions
- Assembly videos
- System design
- Catalogues



► www.igus.eu/downloads



drylin® linear technology - drylin® W profile guides

Modular linear guides

Replaceable lubrication-free drylin® liners

Robust linear housings

Ready-to-install linear carriages

Single and double rails



Lubrication-free, light, quiet, long service life, cost-effective

Superior operating properties by combining iglidur® bearing elements and anodised rails with round shaft profiles

Corrosion-resistant with hard-anodised running surface

Quiet operation

Clean as no lubrication required

Lightweight due to the use of plastics and aluminium

Smooth operation with sliding elements made from lubrication-free iglidur® high-performance polymers

Maintenance-free due to integrated lubricants

Profiles with various geometric designs, installation sizes and clearances

Lubrication-free linear system - drylin® W

drylin® W profile guides are a cost-effective pre-assembled system. The design allows extremely high flexibility in the construction and installation due to the use of individual or double rails. Hard-anodised aluminium is used as rail material and provides the best friction and wear results. The absence of lubrication makes the profile guide system extremely insensitive to dirt and, due to its cleanliness, it is also suitable for applications in clean and hygienic environments.


- Easy installation, maintenance-free
- Resistant to dirt thanks to dry operation
- Lightweight and quiet
- Square rail with floating bearing function for 90° installation
- Bearing with manual clearance adjustment available


Typical application areas


- Agricultural machinery
- Automotive
- Medical technology
- Packaging industry
- Furniture

 **Available from stock**
Detailed information about delivery time online.

 **Price breaks online**
No minimum order value. No minimum order quantity

 **Max. +200°C**
Min. -40°C

 **Carriage lengths: 60-250mm**
Carriage widths: 54-195mm
Rail length: up to 4,000mm

 **Service life calculation**
▶ www.igus.eu/drylin-expert

Profile guides for almost unlimited design freedom



Individual components: Pillow blocks

- Material: Zinc die-casting, aluminium or stainless steel
 - Round or square design
 - Liners made from iglidur® high-performance polymers
- ▶ From page 64



Assembled systems: Complete carriages

- Pre-assembled
 - Variable lengths and widths
 - Mono-slide carriage made from aluminium
- ▶ From page 82



Hybrid guides

- Linear housing with integrated single or double roller
 - Low drive forces
 - Available as single housing or complete carriage
- ▶ From page 107



Single components: Single and double rails

- Material: Aluminium, hard-anodised
 - Design freedom
 - 316 stainless steel rails
- ▶ From page 62



Linear carriage with optional features

- Carriage with wear measurement
 - Carriage with hand lever
 - Clip carriage with/without manual clamp
 - Locking carriages
- ▶ From page 94



Accessories

- Manual clamp for single bearing housing and complete carriages
 - End caps for high profile rails
- ▶ From page 124

Based on drylin® W



Measuring systems
▶ From page 301



Linear modules
SLW/SAW/GRW/ZLW
▶ From page 538

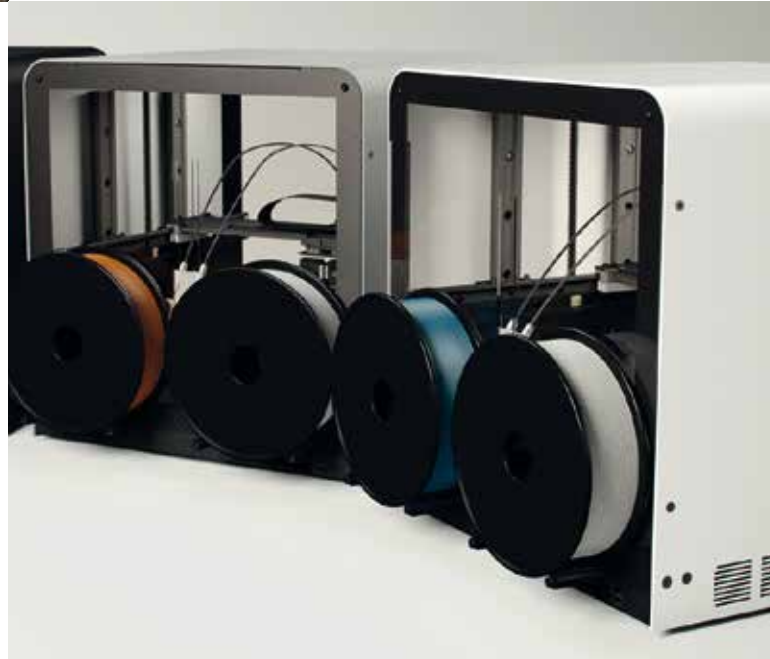


Pick & place

drylin® linear bearings enable precise positioning at high speeds. Unlike conventional bearings, they do not require lubrication and are corrosion free.

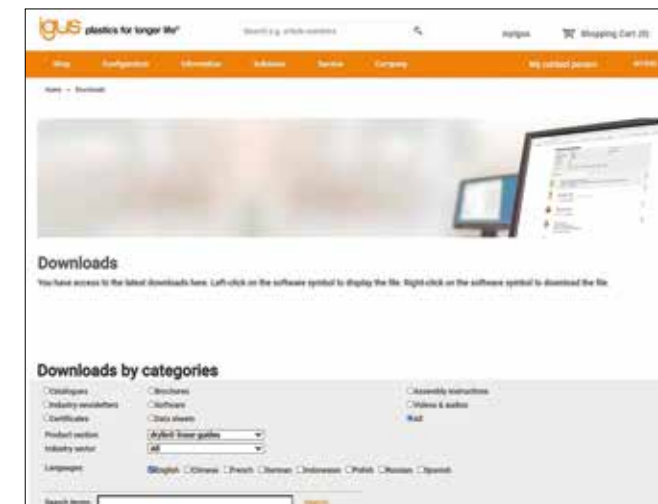
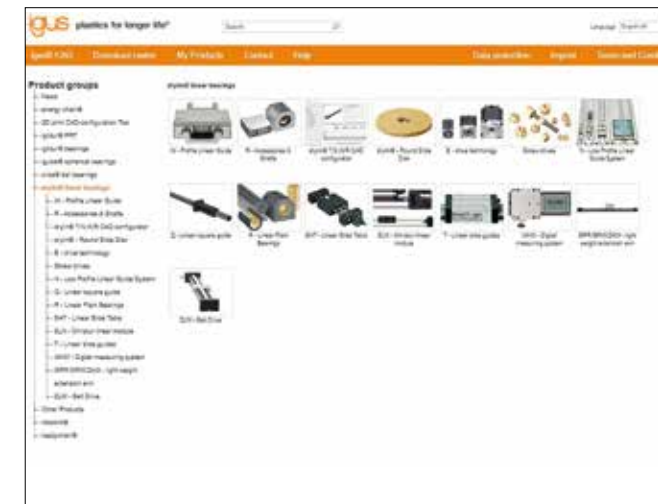
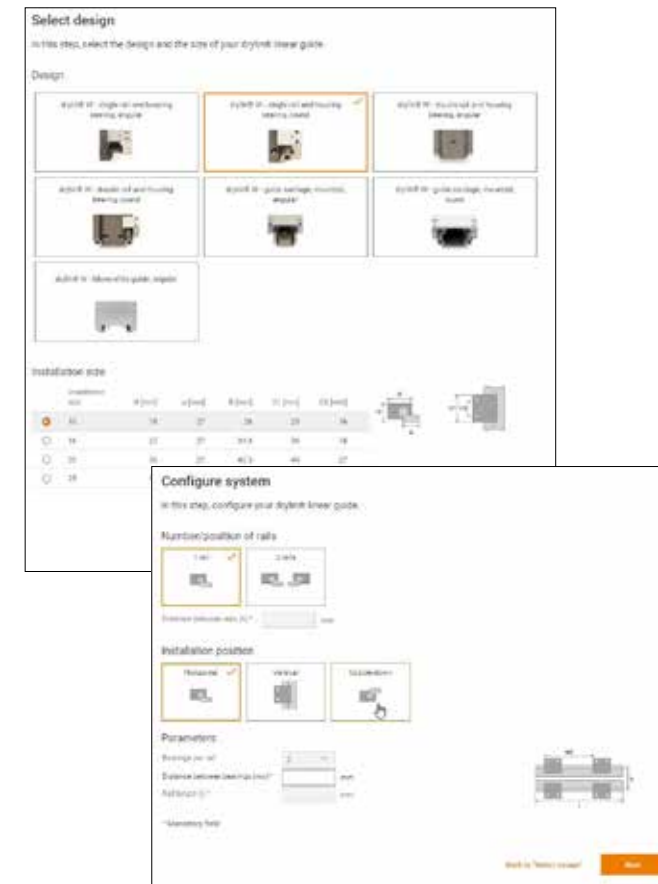
3D printer

Lightweight due to the use of plastic and aluminium with a corrosion-free coating, the guides in the drylin® range impress with their quiet and precise running.



Casting machine

The closing mechanism on this casting machine is subjected to high temperatures and dirt. To make it as durable as possible despite this, it is mounted with a drylin® W profile guide.



Expert for linear guides: System selection and service life calculation with CAD

Configure and calculate the service life of linear bearings - constantly expanded by new sizes and products

Easily calculate the service life of your required linear guide and configure with a few clicks. Select a drylin® system and add the relevant environmental parameters. Select the bearing size, carriage, number and position. Then enter the distance between the rails and the mounting. Define more relevant parameter of the guidance and select a rail length. The results are displayed.



► www.igus.eu/drylin-expert



Download the online tool app now



drylin® CAD configurator: Generate complete 3D models for drylin® linear technology according to your specifications

The igus® CAD online configurator gives you the ability to design and save your linear guide as a system, individual components directly as a 3D model in all commonly used formats, or to have these sent by e-mail - free of charge and without registration.



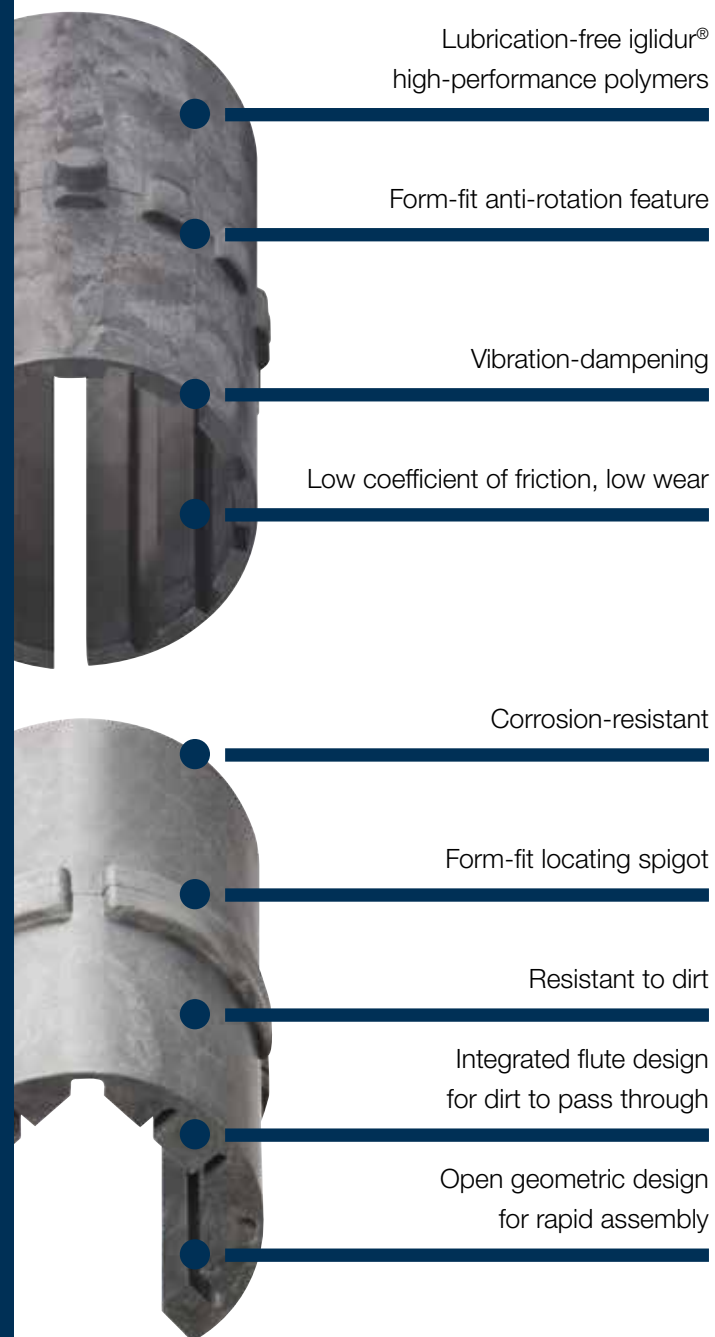
► www.igus.eu/drylin-CAD

More information about the products can be found in the igus® download area

- Assembly instructions
- Assembly videos
- System design
- Catalogues









► www.igus.eu/downloads



drylin® liners made from high-performance polymers

Extremely wear-resistant tribopolymers improved by precisely blended additions of strengthening materials and solid lubricants, tested a thousand times and proved a million times - that is iglidur®. Further to the general properties, every iglidur® bearing material has a series of special features, which account for its particular suitability for certain applications and requirements. The detailed description of the materials can be found in the respective sections.

- Lubrication-free
- Corrosion-resistant
- Low coefficient of friction
- Maintenance-free
- High resistance to dirt
- Lightweight
- High wear resistance
- Excellent price-performance ratio

						
Application temperature	-50 up to +90°C	-50 up to +90°C	-100°C up to +250°C	-50°C up to +70°C	-50 up to +90°C	-50 up to +90°C
Best coefficient of friction with	Steel shaft	Aluminium, hard-anodised	Hard-chromed steel	Steel/stainless steel shaft	Stainless steel shaft	Hardened stainless steel shafts
Volume resistance	> 10 ¹³ Ωcm	> 10 ⁸ Ωcm	< 10 ⁵ Ωcm	> 10 ⁹ Ωcm	> 10 ¹² Ωcm	> 10 ¹² Ωcm
Moisture absorption	1.3% weight	0.7% weight	0.5% weight	< 0.1wt.-%	0.2% weight	< 0.1wt.-%
Maximum service life with	Hard-anodised aluminium	Aluminium, hard-anodised	Hardened stainless steel	Steel/stainless steel shaft	Stainless steel shaft	Hardened stainless steel shafts
Potential counter partner	All shaft materials	Aluminium, hard-anodised	Hardened stainless steel	Steel/stainless steel shaft	All shaft materials	Stainless steel
Permissible stat. surface pressure	35MPa	23MPa	150MPa	18MPa	28MPa	15MPa
Part No.	JUM-...	J200UM-...	XUM-...	E7UM-...	A180UM-...	A160UM-...



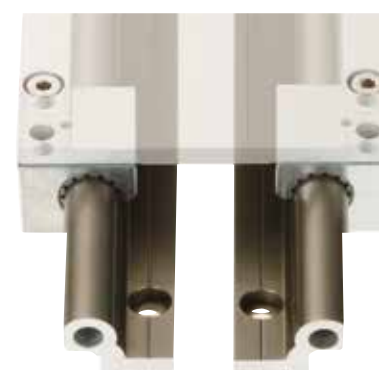
Floating bearings for all directions (up to ±1mm) compensate misalignments and parallelism errors.

Floating bearings aid assembly - when using single rails

Assembly is easy with the drylin® WQ square profile. Floating bearings for all directions (±1mm) compensate misalignments and parallelism errors between rails. This eliminates jamming, otherwise only prevented by time-consuming manual alignment of the system. Although drylin® W is a profile rail system, it is able to compensate angular errors about the x-axis. An angular adjustment of ±7° is possible here. This effectively eliminates the misalignment known to occur when assembling to sheet metal fabrications.

Possible combinations in assembled rail systems

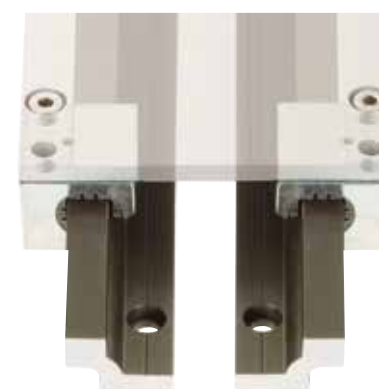
Fixed bearing Floating bearing



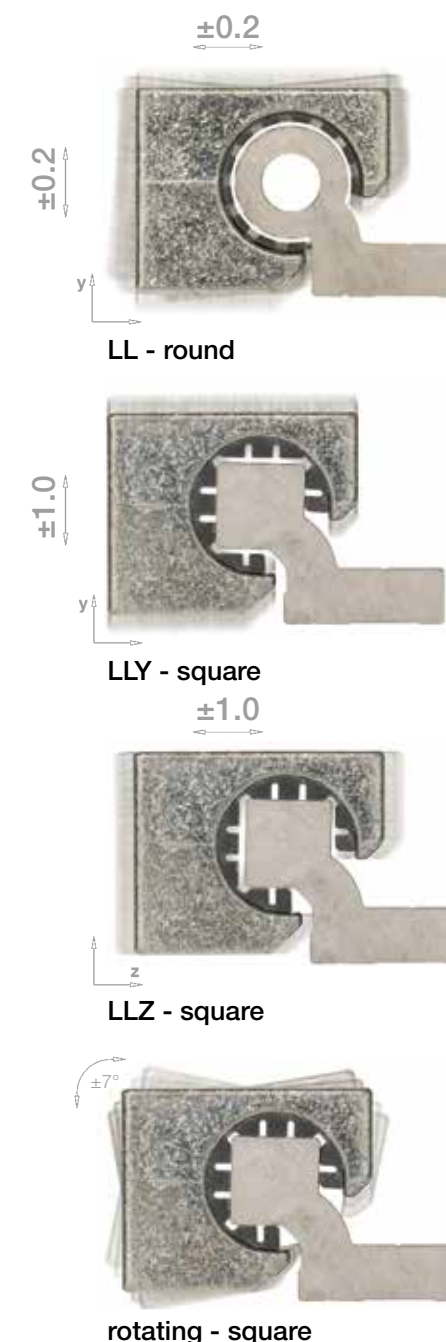
Fixed bearing Floating bearing



Fixed bearing Floating bearing



Available floating bearing blocks



drylin® W profile guides | Product selection

Profiles	Installation sizes					Liner material					
	06	10	16	20	25	J	J200	X	A180	E7	A160
Single rail, round		●	●	●	●	●	●	●	●	●	●
Single rail, square	●	●	●	●	●		●				
Double rail, round		●	●	●	●	●	●	●	●	●	●
Double rail, square	●	●	●	●			●				
High profile, round		●	●			●	●	●	●	●	●
High profile, square	●						●				
Stainless steel		●	●	●	●	●	●	●	●	●	●
Carbon fibre/fibreglass	●										
Curved rail	●	●									
Bearing housing - material											
Zinc die-cast	●	●	●	●	●	●	●	●	●	●	●
Aluminium	●	●	●	●	●	●	●	●	●	●	●
Stainless steel		●	●	●	●	●	●	●	●	●	●
Bearing housing - options											
With manual clamp	●	●	●	●	●	●	●	●	●	●	●
Clearance adjustment		●	●	●		●	●				
Hybrid roller bearings		●	●	●	●	●					
Pre-load		●	●	●							
Bearing can be changed on the rail		●	●	●	●		●				
linear guides											
Pre-assembled carriages	●	●	●	●	●	●	●	●	●	●	●
Hybrid carriage		●	●	●		●					
Mono-slide carriage	●	●	●	●		●					
Systems											
Lead screw modules	●	●	●	●	●	●	●	●	●	●	●
Toothed belt axis	●	●	●	●			●				
With measuring system		●		●		●					

● Standard
● Optional

drylin® W profile guides | Liners

Available pillow blocks and carriages	Suitable liners					
	iglidur® J200	iglidur® J	iglidur® X	iglidur® E7	iglidur® A180	iglidur® A160
Pillow block, square						
Standard	●					
Aluminium	●					
Pillow block, round						
Standard	●	●	●	●	●	●
Stainless steel	●	●	●	●	●	●
Aluminium	●	●	●	●	●	●
Aluminium, tandem	●	●	●	●	●	●
"Turn-to-fit"	●	●				
Spring pre-load	●					
Bearing can be changed on the rail	●					
Hybrid - roll and slide		●				
Guide carriage, fitted						
Standard, assembled, square	●					
Standard, assembled, round	●	●	●	●	●	●
Hybrid, round		●				
"Turn-to-fit", round		●				
Complete carriages						
Mono-slide, square		●				
Mono-slide, round	●					

● Standard ● Optional



WSQ-06

WSQ-10

WSQ-16

WSQ-20

WSQ-25

i Hard-anodised surfaces
▶ Page 43

o Curved rail profiles
▶ Page 48

Technical data and dimensions [mm]

Part No.	Weight [kg/m]	H ⁵⁷⁾ ±0.25	da -0.1	L max.	a	h	h1	h2	G1	G2	A1	Q1	Q2
WSQ-06	0.23	14	5.0	3,000	14	4.0	4.0 ⁵⁸⁾	7.5	18.0	10.5	13.5	17.0	15
WSQ-10	0.54	20	7.5	4,000	25	5.5	5.5 ⁵⁸⁾	11.0	27.0	17.0	18.5	26.0	21
WSQ-16	0.94	27	11.5	4,000	27	7.5	3.5	14.0	33.0	19.0	25.0	32.0	28
WSQ-20	1.41	36	15.0	4,000	27	9.5	4.5	20.0	38.0	21.0	30.0	37.0	37
WSQ-25	1.94	45	18.5	4,000	32	11.5	5.5	25.0	46.5	25.5	37.5	45.5	46

Standard hole pattern: C5 = C6, please order with drawing for C5 ≠ C6

⁵⁷⁾ Height dimension minus the bearing clearance tolerance

⁵⁸⁾ Plain holes

Can be combined with:



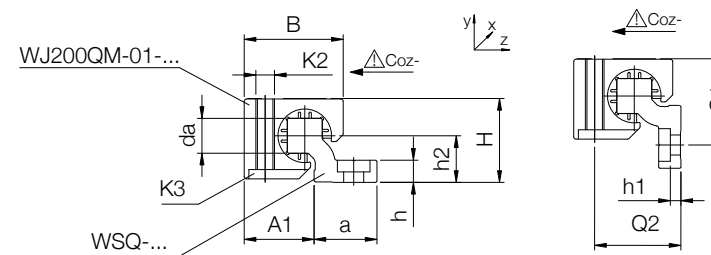
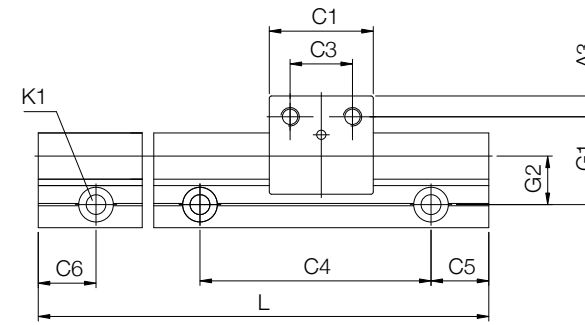
WJ200QM-...

o Order key - single rail

Type Length

WSQ-06 - □

Guide rail
Square
Shafts Ø
Rail length [mm]



Part No.	C4	C5 min.	C5 max.	C6 min.	C6 max.	K1 for screw DIN 912	Geometrical moment of inertia		Moment of resistance	
							ly [mm ⁴]	lz [mm ⁴]	Wby [mm ³]	Wbz [mm ³]
WSQ-06	60	20	49.5	20	49.5	M4 ⁵⁸⁾	2,200	640	220	100
WSQ-10	120	20	79.5	20	79.5	M6 ⁵⁸⁾	16,100	3,300	950	350
WSQ-16	120	20	79.5	20	79.5	M8	33,000	10,800	1,700	910
WSQ-20	120	20	79.5	20	79.5	M8	56,500	34,000	2,600	2,100
WSQ-25	150	25	99.5	25	99.5	M10	115,900	73,500	4,500	3,700



Order key - pillow block

Type	Size
drylin® W	WJ200QM-01-10
Liner material igidur® J200	
Pillow block, square	
Standard	
Size	

Options:
Blank: Fixed bearing
LLY: Floating bearing in y-direction
LLZ: Floating bearing in z-direction
AL: Pillow block made from aluminium

Suitable mounting plate
 ▶ Page 130

Technical data and dimensions [mm]

Part No.	Floating bearing clearance	Floating bearing direction	Weight [g]	-AL	B	C1	C3	A3	K2	K3 for countersunk head screw	Static load capacity		
											Coy [N]	Coz+ [N]	Coz- [N]
WJ200QM-01-06	-	-	16	7	18.0	19	10	4.5	M4	M3	420	420	140
WJ200QM-01-06-AL	-	-	16	7	18.0	19	10	4.5	M4	M3	420	420	140
WJ200QM-01-06-LLY	± 0.5	y / z	16	7	18.0	19	10	4.5	M4	M3	420	420	140
WJ200QM-01-06-LLZ	± 0.5	y / z	16	7	18.0	19	10	4.5	M4	M3	420	420	140
WJ200QM-01-10	-	-	41	21	26.0	29	16	6.5	M6	M5	1,200	1,200	250
WJ200QM-01-10-AL	-	-	41	21	26.0	29	16	6.5	M6	M5	1,200	1,200	250
WJ200QM-01-10-LLY	± 0.7	y / z	41	21	26.0	29	16	6.5	M6	M5	1,200	1,200	250
WJ200QM-01-10-LLZ	± 0.7	y / z	41	21	26.0	29	16	6.5	M6	M5	1,200	1,200	250
WJ200QM-01-16	-	-	100	51	34.5	36	18	9.0	M8	M6	2,100	2,100	400
WJ200QM-01-16-AL	-	-	100	51	34.5	36	18	9.0	M8	M6	2,100	2,100	400
WJ200QM-01-16-LLY	± 1.0	y / z	100	51	34.5	36	18	9.0	M8	M6	2,100	2,100	400
WJ200QM-01-16-LLZ	± 1.0	y / z	100	51	34.5	36	18	9.0	M8	M6	2,100	2,100	400
WJ200QM-01-20	-	-	190	104	42.5	45	27	9.0	M8	M6	3,200	3,200	500
WJ200QM-01-20-AL	-	-	190	104	42.5	45	27	9.0	M8	M6	3,200	3,200	500
WJ200QM-01-20-LLY	± 1.0	y / z	190	104	42.5	45	27	9.0	M8	M6	3,200	3,200	500
WJ200QM-01-20-LLZ	± 1.0	y / z	190	104	42.5	45	27	9.0	M8	M6	3,200	3,200	500
WJ200QM-01-25	-	-	435	212	52.5	58	36	11.0	M10	M8	4,800	4,800	950
WJ200QM-01-25-AL	-	-	435	212	52.5	58	36	11.0	M10	M8	4,800	4,800	950
WJ200QM-01-25-LLY	± 1.0	y / z	435	212	52.5	58	36	11.0	M10	M8	4,800	4,800	950
WJ200QM-01-25-LLZ	± 1.0	y / z	435	212	52.5	58	36	11.0	M10	M8	4,800	4,800	950

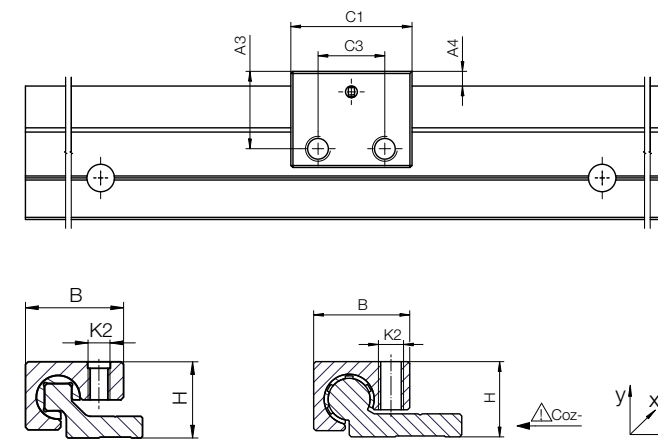
Order example: **WJ200QM-01-06:** Pillow block, square
WJ200QM-01-06-LLZ: Pillow block, square, with floating bearing in z-direction
WJ200QM-01-06-AL: Pillow block, square, made from aluminium

Can be combined with:



Order key - pillow block

Type	Size
drylin® W	WJ200QM S-01-10-AL
Liner material igidur® J200	
Pillow block, square	
Narrow	
Standard	
Size	
Aluminium	



Technical data and dimensions [mm]

Part No.	Weight [g]	B	C1	C3	A3	A4	K2	H ±0.25	Static load capacity		
									Coy [N]	Coz+ [N]	Coz- [N]
WJ200QMS-01-06-AL New	6.3	18	19	10	13.5	3.50	M4	14	210	140	210
WJ200QMS-01-10-AL New	17.1	23	29	16	18.5	4.75	M6	20	600	250	600
WJ200QMS-01-16-AL New	43.1	35	36	18	28.5	7.25	M8	27	1,050	400	1,050
WJ200QMS-01-20-AL New	90.1	42	45	27	35.0	9.00	M8	36	1,600	500	1,600
WJ200QMS-01-25-AL New	182.4	52	58	36	43.0	10.75	M10	45	2,400	950	2,400

Can be combined with:





WS-10

WS-10-CA,

aluminium, clear anodised

WS-16

WS-20

WS-25



Hard-anodised surfaces

► Page 43

Clear anodised surface

► Page 43



Stainless steel version available

► Page 324



Curved rail profiles

► Page 48

Technical data and dimensions [mm]

Part No.	Weight [kg/m]	H ⁵⁷⁾ ±0.25	da -0.1	di max.	L max.	a	h	h1	h2	G1	G2	A1	Q1	Q2
WS-10	0.62	18	10	-	4,000	27	5.5	5.5 ⁵⁸⁾	9	27.0	17.0	16.5	-	-
WS-10-CA New	0.62	18	10	-	4,000	27	5.5	5.5	9	27.0	17.0	16.5	-	-
WS-16	0.98	27	16	8.0	4,000	27	7.5	3.5	14	33.0	19.0	25.0	32.0	28
WS-16-CA New	0.98	27	16	8.0	4,000	27	7.5	3.5	14	33.0	19.0	25.0	32.0	28
WS-20	1.32	36	20	10.2	4,000	27	9.5	4.5	20	38.0	21.0	30.0	37.0	37
WS-20-CA New	1.32	36	20	10.2	4,000	27	9.5	4.5	20	38.0	21.0	30.0	37.0	37
WS-25	2.03	45	25	14.0	4,000	32	11.5	5.5	25	46.5	25.5	37.5	45.5	46

Standard hole pattern: C5 = C6, please order with drawing for C5 ≠ C6

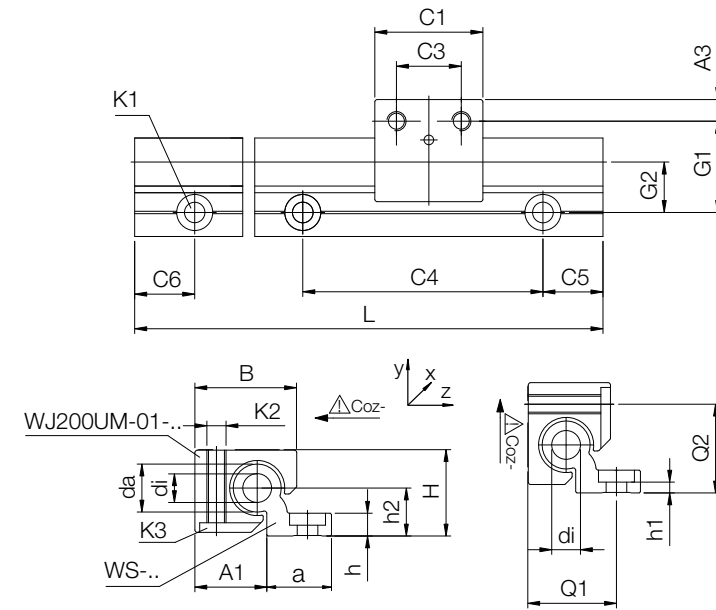
⁵⁷⁾ Height dimension minus the bearing clearance tolerance

⁵⁸⁾ Plain holes

Can be combined with:



WJ200UM(T)-... WJ200UME-... WJ200UMS-... WJUM-...-ES-FG WJRM-...



This assembled position
not possible for WS-10



Order key - single rail

Type

Option

WS-10-CA

Guide rail

Shafts Ø

Clear anodised

Option:

CA: Clear anodised

Optional:

Econ series with clear anodising
(silver)

C1	C3	C4	C5 min.	C5 max.	C6 min.	C6 max.	A3	K1 for screw DIN 912	Geometrical moment of inertia		Moment of resistance	
									ly [mm ⁴]	lz [mm ⁴]	Wby [mm ³]	Wbz [mm ³]
29	16	120	20	79.5	20	79.5	6.5	M6 ⁵⁸⁾	19,000	2,850	1,000	310
29	16	120	20	79.5	20	79.5	6.5	M6 ⁵⁸⁾	19,000	2,850	1,000	310
36	18	120	20	79.5	20	79.5	9	M8	36,000	12,900	1,800	940
36	18	120	20	79.5	20	79.5	9	M8	36,000	12,900	1,800	940
45	27	120	20	79.5	20	79.5	9	M8	57,100	35,000	2,700	1,900
45	27	120	20	79.5	20	79.5	9	M8	57,100	35,000	2,700	1,900
58	36	150	25	99.5	25	99.5	11	M10	129,000	86,000	4,900	3,800

Single rails round, made of 316 stainless steel



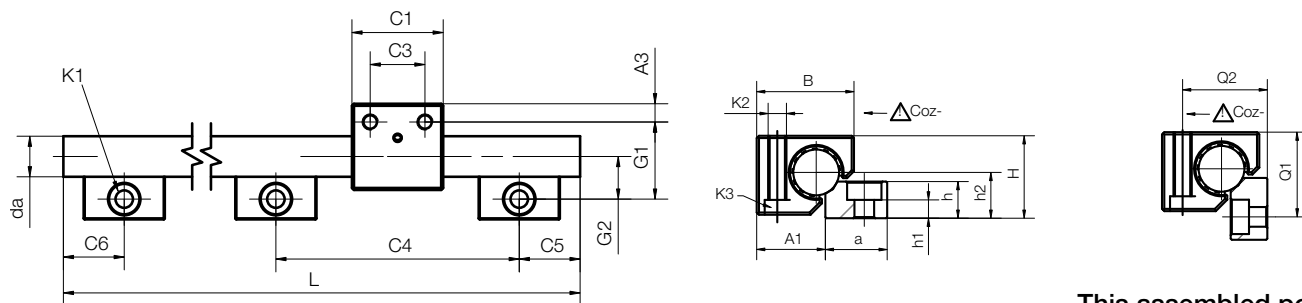
Order key - single rail

Type	Material
------	----------

WS-10-ES-FG

Guide rail	Shafts Ø	Stainless steel	Precision casting
------------	----------	-----------------	-------------------

Housing and shaft support material
AISI 316
Shafts material
(AISI 316Ti)



This assembled position is not possible for WS-10

Technical data and dimensions [mm]

Part No.	Weight [kg/m]	H ⁵⁷⁾ ±0.25	da -0.1	L max.	a -0.3	h	h1	h2	G1	G2	A1	Q1	Q2
WS-10-ES-FG	0.87	18	10	3,000	27	5.5	5.5 ⁵⁸⁾	9	27.0	17.0	16.5	-	-
WS-16-ES-FG	2.22	27	16	3,000	27	12.0	4.5	14	33.0	19.0	25.0	32.0	28
WS-20-ES-FG	3.37	36	20	3,000	27	16.0	8.0	20	38.0	21.0	30.0	37.0	37
WS-25-ES-FG	5.21	45	25	3,000	32	20.0	9.0	25	46.5	25.5	37.5	45.5	46

Part No.	C1	C3	C4	C5 min.	C5 max.	C6 min.	C6 max.	A3	K1 for screw DIN 912	Geometrical moment of inertia		Moment of resistance	
										ly [mm ⁴]	lz [mm ⁴]	Wby [mm ³]	Wbz [mm ³]
WS-10-ES-FG	29	16	120	20	79.5	20	79.5	6.5	M6 ⁵⁸⁾	491	491	98	98
WS-16-ES-FG	36	18	120	20	79.5	20	79.5	9.0	M8	3,217	3,217	402	402
WS-20-ES-FG	45	27	120	20	79.5	20	79.5	9.0	M8	7,854	7,854	785	785
WS-25-ES-FG	58	36	150	25	99.5	25	99.5	11.0	M10	19,175	19,175	1,534	1,534

⁵⁷⁾ Height dimension minus the bearing clearance tolerance

⁵⁸⁾ Plain holes

Can be combined with:



Suitable liner material:



Pillow blocks, round, made from zinc die-casting or aluminium



Order key

Type	Size	Options
------	------	---------

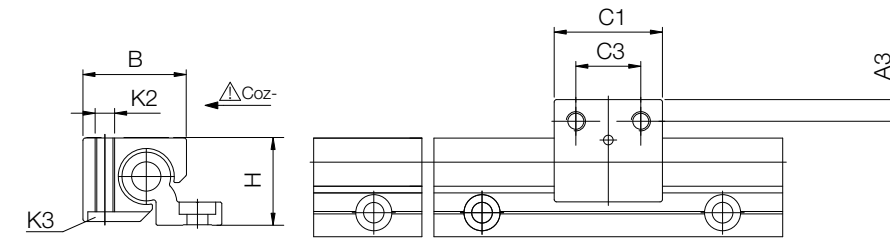
WJ200UM-01-10-AL

drylin® W	Liner material igidur® J200	Pillow block, round	Standard	Size	Aluminium
-----------	--------------------------------	------------------------	----------	------	-----------

Order example:
WJ200UM-01-10:
Pillow block, round
WJ200UM-01-10-LL:
Pillow block, round, floating bearing
WJ200UM-01-10-AL:
Pillow block, round, made from aluminium

Suitable mounting plate
► Page 130

Options:
Blank: Fixed bearing
LL: Floating bearing
AL: Pillow block made from aluminium
ES: Stainless steel
ES-FG: Stainless steel precision casting



Technical data and dimensions [mm]

Part No.	Floating bearing clearance	Weight [g]	B	C1	C3	A3	K2	K3 for countersunk head screw	Static load capacity		
									Coy [N]	Coz+ [N]	Coz- [N]
WJ200UM-01-10	-	41	26.0	29	16	6.5	M6	M5	1,200	1,200	250
WJ200UM-01-10-LL	±0.2	41	26.0	29	16	6.5	M6	M5	1,200	1,200	250
WJ200UM-01-10-AL	-	20	26.0	29	16	6.5	M6	M5	1,200	1,200	250
WJUM-01-10-ES-FG ⁵⁹⁾	-	57	26.0	29	16	6.5	M6	M5	3,800	3,800	950
WJ200UM-01-16	-	100	34.5	36	18	9.0	M8	M6	2,100	2,100	400
WJ200UM-01-16-LL	±0.2	100	34.5	36	18	9.0	M8	M6	2,100	2,100	400
WJ200UM-01-16-AL	-	48	34.5	36	18	9.0	M8	M6	2,100	2,100	400
WJUM-01-16-ES-FG ⁵⁹⁾	-	134	34.5	36	18	9.0	M8	M6	6,900	6,900	1,450
WJ200UM-01-20	-	190	42.5	45	27	9.0	M8	M6	3,200	3,200	500
WJ200UM-01-20-LL	±0.25	190	42.5	45	27	9.0	M8	M6	3,200	3,200	500
WJ200UM-01-20-AL	-	99	42.5	45	27	9.0	M8	M6	3,200	3,200	500
WJUM-01-20-ES-FG ⁵⁹⁾	-	280	42.5	45	27	9.0	M8	M6	11,000	11,000	1,900
WJ200UM-01-25	-	425	52.5	58	36	11.0	M10	M8	4,800	4,800	950
WJ200UM-01-25-LL	±0.25	425	52.5	58	36	11.0	M10	M8	4,800	4,800	950
WJ200UM-01-25-AL	-	250	52.5	58	36	11.0	M10	M8	4,800	4,800	950
WJUM-01-25-ES-FG ⁵⁹⁾	-	564	52.5	58	36	11.0	M10	M8	16,000	16,000	3,600

⁵⁹⁾ Alternative with XUMO-01-... liners for high temperatures available. Part No.: WXUM-01-...

Pillow blocks, single, round, made from solid plastic



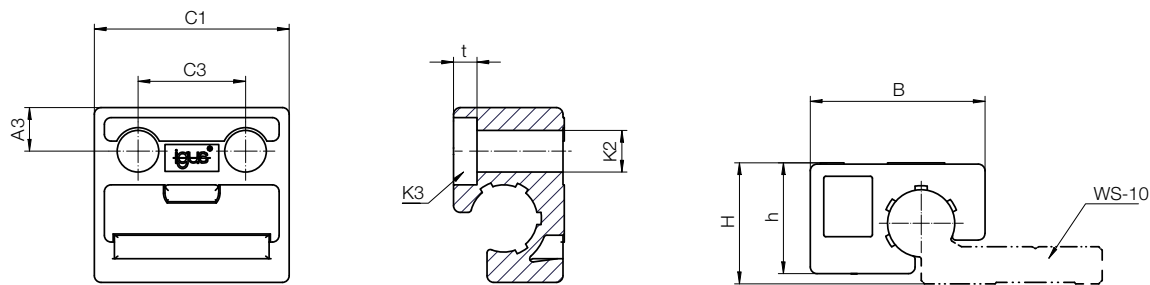
Order key

Type Size

WJBM P-01-10

drylin® W
iglidur® JB
Metric
Solid plastic
Standard
Size

Material:
iglidur® JB ▶ Page 779



Technical data and dimensions [mm]

Part No.	Weight [g]	B	C1	C3	A3	K2	H	h	t	K3 Hexagonal design for M6 hexagon nut (ISO 4035)	Static load capacity		
											Coy± [N]	Coz± [N]	
WJBMP-01-10 New	10	26	29	16	6.5	Ø6.2	18	16.5	3.5	10	25	15	

Pillow blocks, tandem, round, anodised aluminium

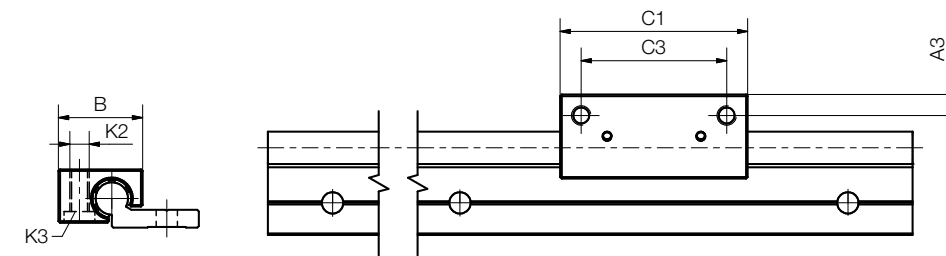


Order key

Type Size Material

WJ200UM T-01-10-AL

drylin® W
Liner material iglidur® J200
Pillow block, round
Tandem
Standard
Size
Aluminium



Technical data and dimensions [mm]

Part No.	Weight [g]	B	C1	C3	A3	K2	K3 for countersunk head screw	Static load capacity		
								Coy [N]	Coz+ [N]	Coz- [N]
WJ200UMT-01-10-AL	43	26	58	45	6.5	M6	M5	2,000	2,000	420
WJ200UMT-01-16-AL	102	34.5	72	54	9	M8	M6	3,400	3,400	670
WJ200UMT-01-20-AL	182	42.5	80	62	9	M8	M6	5,300	5,300	830

Can be combined with:



Suitable liner material:



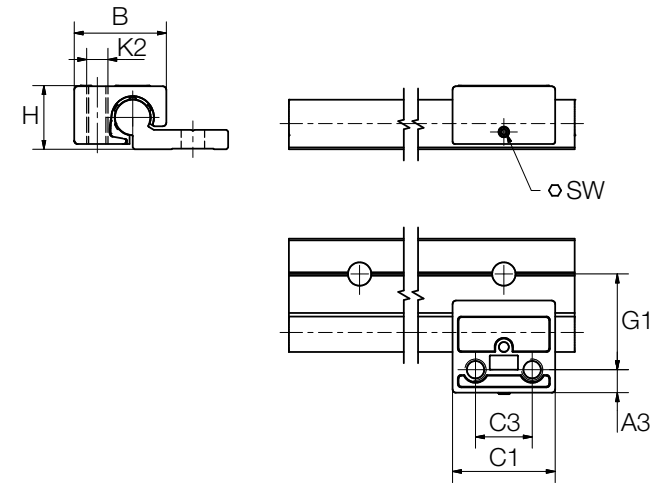
Order key

Type	Size
WJ200UM E -01-10	
drylin® W	
Liner material iglidur® J200	
Pillow block, round	
Adjustable	
Standard	
Size	



Allen key supplied

Suitable mounting plate
▶ Page 130



Technical data and dimensions [mm]

Part No.	Weight [g]	B	C1	C3	A3	K2	H	SW	G1	Static load capacity		
										Coy [N]	Coz+ [N]	Coz- [N]
WJUME-01-10	43	26	29	16	6.5	M6	18	1.5	27	560	560	250
WXUME-01-10	43	26	29	16	6.5	M6	18	1.5	27	560	560	250
WJUME-01-10-AL	19	26	29	16	6.5	M6	18	1.5	27	560	560	250
WJUME-01-10-ES	56	26	29	16	6.5	M6	18	1.5	27	560	560	250
WJ200UME-01-10	43	26	29	16	6.5	M6	18	1.5	27	560	560	250
WJ200UME-01-16	110	34.5	36	18	9	M8	27	2.5	33	980	980	400
WJ200UME-01-16-AL	45	34.5	36	18	9	M8	27	2.5	33	980	980	400
WJ200UME-01-16-ES	132	34.5	36	18	9	M8	27	2.5	33	980	980	400
WJ200UME-01-20	222	42.5	45	27	9	M8	36	2.5	38	1,500	1,500	500
WJ200UME-01-20-AL	95	42.5	45	27	9	M8	36	2.5	38	1,500	1,500	500
WJ200UME-01-20-ES	275	42.5	45	27	9	M8	36	2.5	38	1,500	1,500	500
WJ200UME-01-25	431	52.5	58	36	11	M10	45	2.5	46.5	2,250	2,250	950
WJ200UME-01-25-AL	194	52.5	58	36	11	M10	45	2.5	46.5	2,250	2,250	950
WJ200UME-01-25-ES	539	52.5	58	36	11	M10	45	2.5	46.5	2,250	2,250	950

Can be combined with:



Suitable liner material:



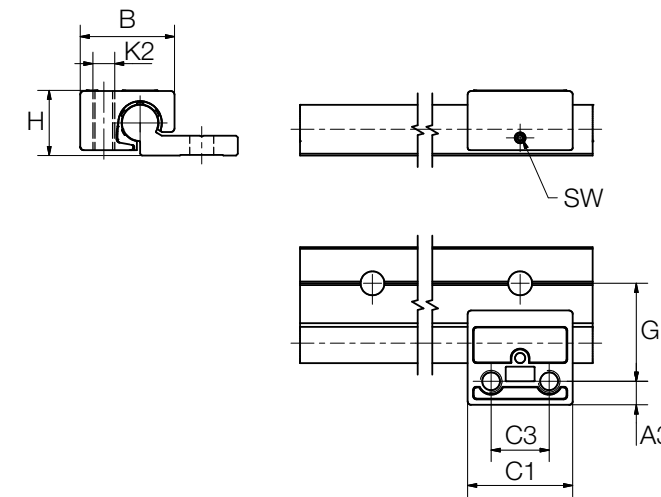
Order key

Type	Size	Material
WJ200UM-01-16-□-P40		
drylin® W		
Liner material iglidur® J200		
Pillow block, round		
Standard		
Size		
Housing material		
Pre-load		

Options:
Blank: Zinc die-casting (Zn)
AL: Aluminium
ES: Stainless steel (AISI 316Ti, machined)

Suitable mounting plate
▶ Page 130

drylin® stop motion full product range online
▶ www.igus.eu/drylinstopmotion



Technical data and dimensions [mm]

Part No.	Spring colour	Pre-load [N]	Weight			B	C1	C3	A3	K2	H	SW	G1
			(Zn)	-ES	-AL								
WJ200UM-01-10-□-P40	Blue	4	43	56	19	26	29	16	6.5	M6	18	1.5	27
WJ200UM-01-10-□-P90	Yellow	9	43	56	19	26	29	16	6.5	M6	18	1.5	27
WJ200UM-01-10-□-P140	Red	14	43	56	19	26	29	16	6.5	M6	18	1.5	27
WJ200UM-01-16-□-P40	Blue	4	110	132	46	34.5	36	18	9	M8	27	2.5	33
WJ200UM-01-16-□-P90	Yellow	9	110	132	46	34.5	36	18	9	M8	27	2.5	33
WJ200UM-01-16-□-P140	Red	14	110	132	46	34.5	36	18	9	M8	27	2.5	33
WJ200UM-01-16-□-P230	green	23	110	132	46	34.5	36	18	9	M8	27	2.5	33
WJ200UM-01-20-□-P40	Blue	4	222	275	95	42.5	45	27	9	M8	36	2.5	38
WJ200UM-01-20-□-P90	Yellow	9	222	275	95	42.5	45	27	9	M8	36	2.5	38
WJ200UM-01-20-□-P140	Red	14	222	275	95	42.5	45	27	9	M8	36	2.5	38
WJ200UM-01-20-□-P230	green	23	222	275	95	42.5	45	27	9	M8	36	2.5	38

Can be combined with:



Suitable liner material:

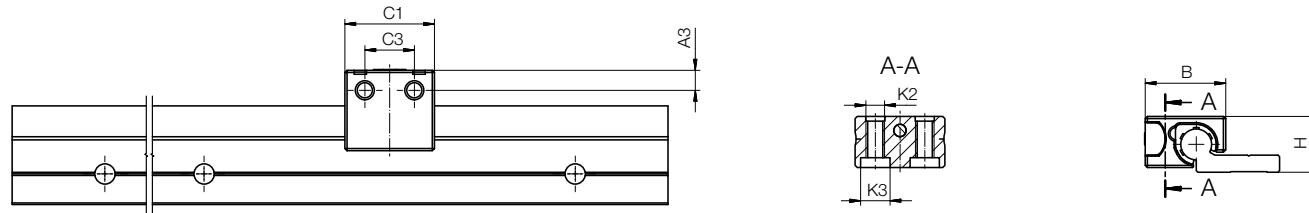


drylin® W profile guides | Product range

Pillow blocks, round; change the liner without disassembly

Order key

Type	Size
WJ200UM A-01-10-AL	
drylin® W	Aluminium
Liner material iglidur® J200	
Pillow block, round	
Replaceable	
Standard	
Size	



Technical data and dimensions [mm]

Part No.	Weight [g]	B	C1	C3	A3	K2	K3 ¹⁵⁰⁾	H ±0.25	Static load capacity		
									Coy [N]	Coz+ [N]	Coz- [N]
WJ200UMA-01-10-AL	18	26.0	29	16	6.5	M6	M5	18	1,000	1,000	200
WJ200UMA-01-16-AL	44	34.5	36	18	9.0	M8	M6	27	1,250	1,250	275
WJ200UMA-01-20-AL	91	42.5	45	27	9.0	M8	M6	36	1,500	1,500	350

¹⁵⁰⁾ Counterbore for socket cap bolt



Simple bearing liner replacement.

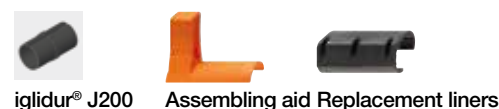
Suitable mounting plate
▶ Page 130

More installation can be found online
▶ www.igus.eu/replacement-bearing-installation

Can be combined with:



Suitable liner material/accessories



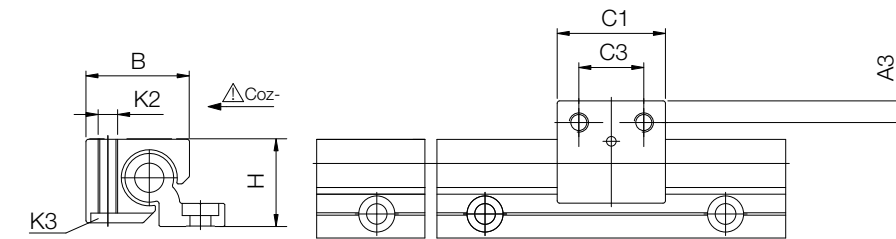
drylin® W profile guides | Product range **New**

Stainless steel pillow blocks, round; change the liner without disassembly

Order key

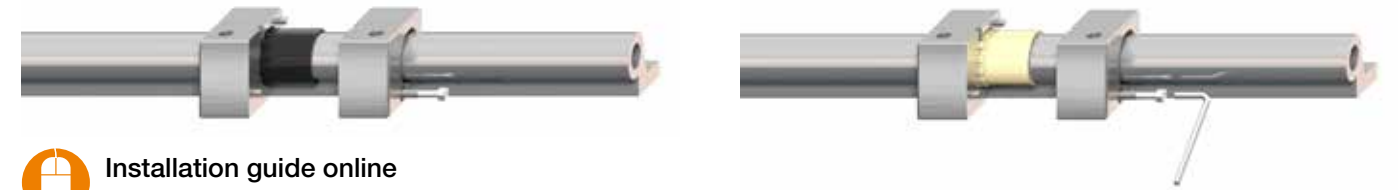
Type	Size
W□UMA A-01-10-ES	
drylin® W	Stainless steel
igidur® material	
Pillow block, round	
Replaceable	
Standard	
Size	

igidur® material
X: iglidur® X
A180: iglidur® A180
A160: iglidur® A160
E7: iglidur® E7



Technical data and dimensions [mm]

Part No.	Weight [g]	B	C1	C3	A3	K2	H ±0.25	K3 for countersunk head screw	Static load capacity		
									Coy [N]	Coz+ [N]	Coz- [N]
W□UMA-01-10-ES New	57	26.0	29	16	6.5	M6	18	M5	1,200	1,200	250
W□UMA-01-16-ES New	138	34.5	36	18	9.0	M8	27	M6	2,100	2,100	400
W□UMA-01-20-ES New	283	42.5	45	27	9.0	M8	36	M6	3,200	3,200	500
W□UMA-01-25-ES New	575	52.5	58	36	11.0	M10	45	M8	4,800	4,800	950



Installation guide online
▶ www.igus.eu/WXUMA

drylin® W profile guides | Product range **New**

Pillow blocks, round, anodised aluminium,
for narrow assemblies

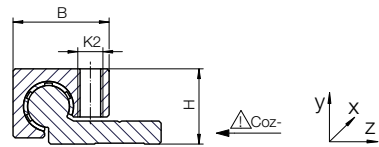
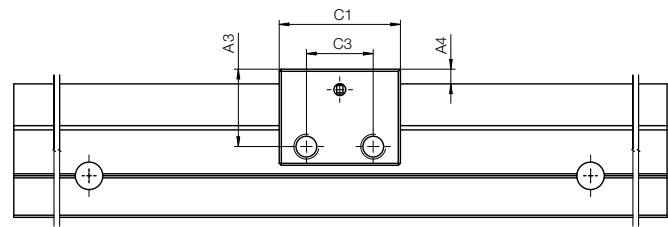


Order key

Type Size

WJ200UM S-01-10-AL

drylin® W
Liner material iglidur® J200
Pillow block, round
Narrow
Standard
Size
Aluminium



Technical data and dimensions [mm]

Part No.	Weight [g]	B	C1	C3	A3	A4	K2	H ±0.25	Static load capacity		
									Coy [N]	Coz+ [N]	Coz- [N]
WJ200UMS-01-10-AL New	16.0	23	29	16	18.5	3.5	M6	18	600	250	600
WJ200UMS-01-16-AL New	40.5	35	36	18	28.5	5.0	M8	27	1,050	400	1,050
WJ200UMS-01-20-AL New	85.0	42	45	27	35.0	6.5	M8	36	1,600	500	1,600
WJ200UMS-01-25-AL New	172.6	52	58	36	43.0	7.5	M10	45	2,400	950	2,400

Can be combined with:



drylin® W profile guides | Product range **New**

Pillow blocks, tandem, round, anodised aluminium,
for narrow assemblies

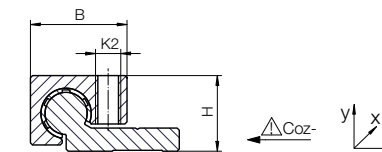
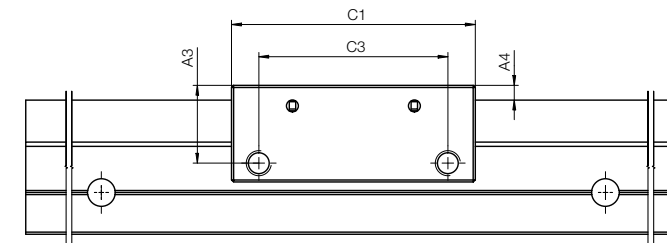


Order key

Type Size

WJ200UM T S-01-10-AL

drylin® W
Liner material iglidur® J200
Pillow block, round
Tandem
Narrow
Standard
Size
Aluminium



Technical data and dimensions [mm]

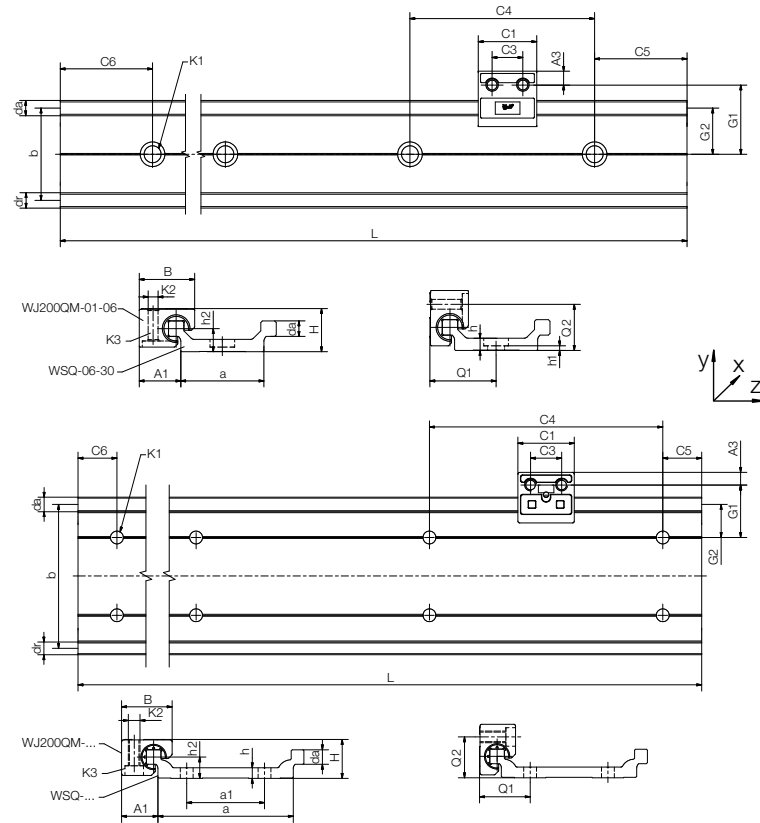
Part No.	Weight [g]	B	C1	C3	A3	A4	K2	H ±0.25	Static load capacity		
									Coy [N]	Coz+ [N]	Coz- [N]
WJ200UMTS-01-10-AL New	33	23	58	45	18.5	3.5	M6	18	1,200	420	1,200
WJ200UMTS-01-16-AL New	84	35	72	54	28.5	5.0	M8	27	2,100	670	2,100

Can be combined with:



Suitable liner material:





i Hard-anodised surfaces
▶ Page 43

o Curved rail profiles
▶ Page 48

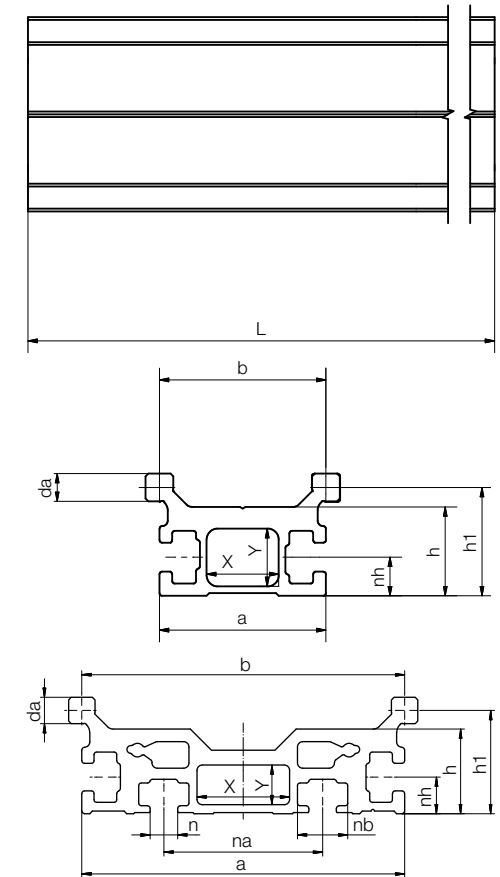
Technical data and dimensions [mm]

Part No.	Weight [kg/m]	H ⁵⁷⁾ ±0.25	da -0.1	dr	L max.	a	A1	b	h	h1	h2	G1	G2	a1 ⁶¹⁾	Q1	Q2
WSQ-06-30	0.45	14	5	5	3,000	27-0.4	13.5	30	4	4 ⁵⁸⁾	7.5	22.5	15	-	21.5	15
WSQ-06-60	0.70	14	5	5	3,000	58-0.4	13.5	61	4	4 ⁵⁸⁾	7.0	42.5	30.5	40	17	15
WSQ-10-40	0.92	20	7.5	6.7	4,000	36-0.5	18.5	40	5.5	5.5 ⁵⁸⁾	11	30	20	-	29	21
WSQ-10-80	1.41	20	7.5	6.7	4,000	70-0.7	18.5	74	5.5	5.5 ⁵⁸⁾	11	27	17	40	26	21
WSQ-10-120	2.02	20	7.5	6.7	4,000	116-0.7	18.5	120	5.5	5.5 ⁵⁸⁾	11	30	20	80	29	21
WSQ-16-60	1.84	27	11.5	10.7	4,000	54-0.5	25.0	58	7.5	3.5	14	43	29	-	42	28
WSQ-20-80	3.30	36	15	14.1	4,000	74-0.7	30.0	82	9.5	4.5	20	38	21	40	37	37

Part No.	C4	C5		C6		K1 for screw DIN 912	Geometrical moment of inertia		Moment of resistance	
		min.	max.	min.	max.		ly [mm ⁴]	lz [mm ⁴]	Wby [mm ³]	Wbz [mm ³]
WSQ-06-30	60	20	49.5	20	49.5	M5 ⁵⁸⁾	19,000	1,250	1,100	200
WSQ-06-60	60	20	49.5	20	49.5	M4 ⁵⁸⁾	117,900	1,600	3,500	290
WSQ-10-40	120	20	79.5	20	79.5	M6 ⁵⁸⁾	71,600	5,580	3,000	610
WSQ-10-80	120	20	79.5	20	79.5	M6 ⁵⁸⁾	335,000	7,070	8,300	700
WSQ-10-120	120	20	79.5	20	79.5	M6 ⁵⁸⁾	1,175,000	8,000	18,400	760
WSQ-16-60	120	20	79.5	20	79.5	M8	324,700	20,500	9,400	1,700
WSQ-20-80	120	20	79.5	20	79.5	M8	1,145,000	75,300	23,600	4,500

⁵⁷⁾ Height dimension minus the bearing clearance tolerance ⁵⁸⁾ With plain holes ⁶¹⁾ WSQ-06-30/-10-40/-16-60 a single row of mounting holes down the centreline; WSQ-06-60/10-80/-10-120/-20-80 two parallel rows of mounting holes

Can be combined with:



i Suitable end caps
▶ Page 129

o Order example:
WSX-06-30/06-60: High profile rail, square
WSQ-06-30: Standard double rail, square

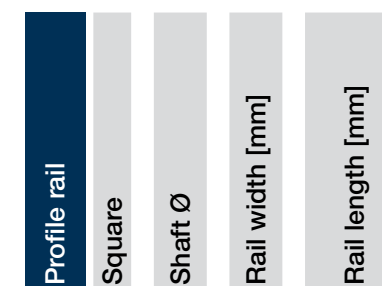
Technical data and dimensions [mm]

Part No.	Weight [kg/m]	da -0.1	L max.	a	b	h	h1	nh	n	nb	na	X	Y	Geometrical moment of inertia		Moment of resistance	
														ly [mm ⁴]	lz [mm ⁴]	Wby [mm ³]	Wbz [mm ³]
WSX-06-30	0.76	5	4,000	29.7	30	16	19.5	7	-	-	-	12	10	30,391	11,674	1,736	845
WSX-06-60	1.39	5	4,000	61	61	16	19.5	6.9	5.2	9.5	30	17.5	7.5	212,826	17,018	6,448	1,398

o Order key

Type	Length
------	--------

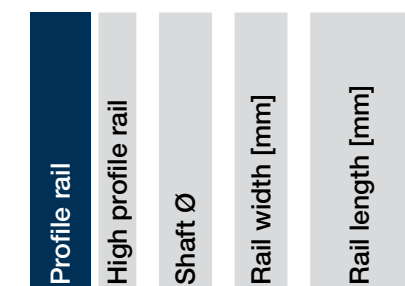
WS Q - 06 - 30 - 3000



o Order key

Type	Length
------	--------

WS X - 06 - 30 - 4000



Can be combined with:



drylin® W profile guides | Product range

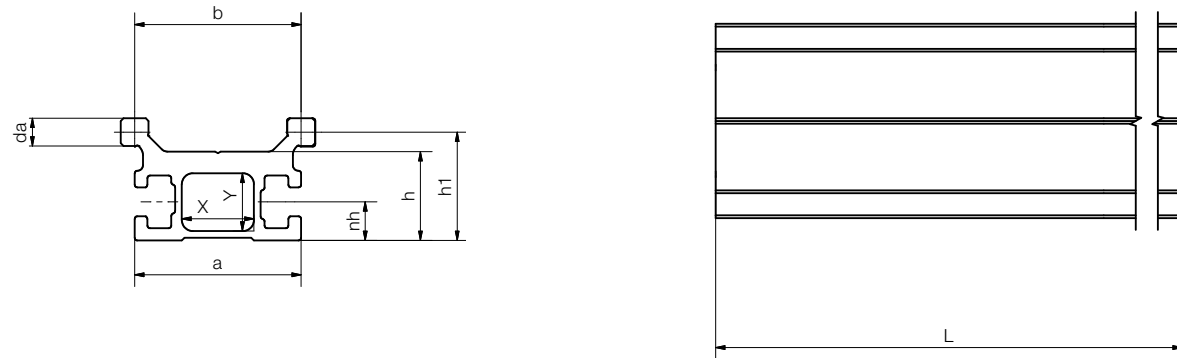
Linear guides - lightweight, non-metallic, strong and X-ray transparent

 Order key

Type	Dimensions [mm]/Type
------	----------------------

W S P C-06-30-1000

drylin® W	Rail	Polymer	Carbon	Shaft Ø	Rail width	Rail length
-----------	------	---------	--------	---------	------------	-------------



Technical data - guide rail

Part No.	Fmax. radial		Weight	I _y	I _z
	stat.	dyn.			
	[N]	[N]	[g/m]	[mm ⁴]	[mm ⁴]
WSPC-06-30	300	60	410	30,391	11,674

Dimensions [mm] - guide profile

Part No.	a	b	da	h	h1	nh	X	Y	L
WSPC-06-30	30	30	-0.1	16	19.5	7	13	10	3,000

drylin® W profile guides | Product range

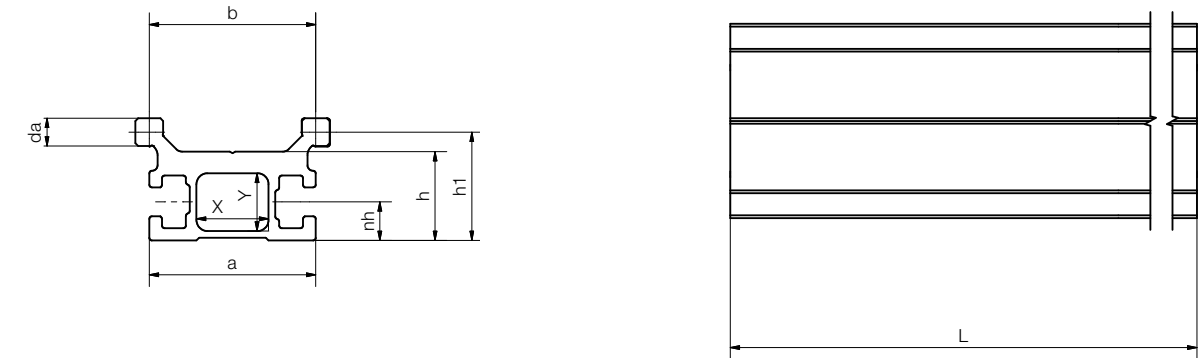
Linear guides - lightweight, non-metallic, strong and cost-effective

 Order key

Type	Dimensions [mm]/Type
------	----------------------

W S P G-06-30-1000

drylin® W	Rail	Polymer	Glas fibre	Shaft Ø	Rail width	Rail length
-----------	------	---------	------------	---------	------------	-------------



Technical data - guide rail

Part No.	Fmax. radial		Weight	I _y	I _z
	stat.	dyn.			
	[N]	[N]	[g/m]	[mm ⁴]	[mm ⁴]
WSPG-063001	200	50	505	30,391	11,674

Dimensions [mm] - guide profile

Part No.	a	b	da	h	h1	nh	X	Y	L
WSPG-063001	30	30	-0.1	16	19.5	7	13	10	2,000

Dimensions [mm] - complete system

Part No.	H	A1	A	A2	C	C2
WSPG-063001	30	12	52	45	60	51

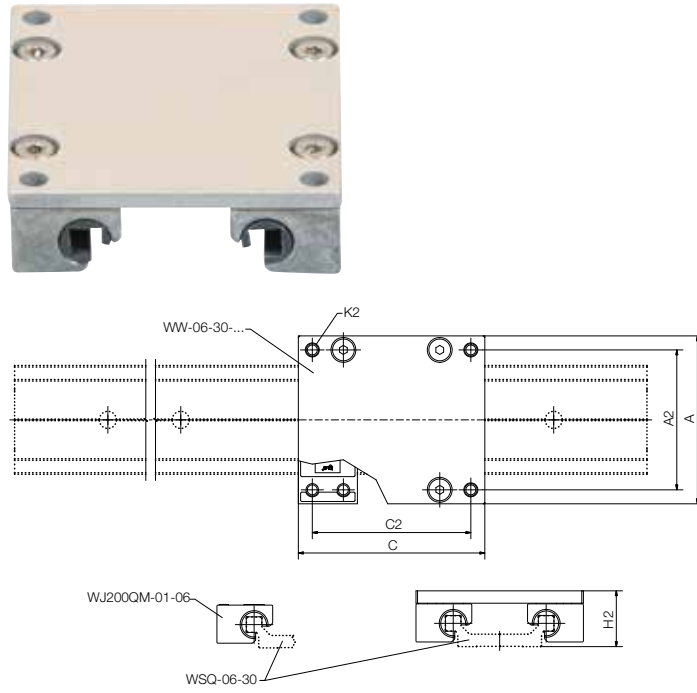


Order key

Type Size

WW Q-06-30-06

- Guide carriage
- Square
- Shafts Ø [mm]
- Profile width
- Carriage length



Technical data and dimensions [mm]

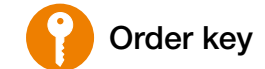
Part No. ⁵⁴⁾	Weight [kg]	A		A2	C2	K2	H2 ⁵⁷⁾ ±0.25	Static load capacity				
		Width	Length					Coy [N]	Coz [N]	Mox [Nm]	Moy [Nm]	Moz [Nm]
WWQ-06-30-06	0.10	54	60	45	51	M4	18	1,680	840	25	34	34
WWQ-06-30-08	0.11	54	80	45	71	M4	18	1,680	840	25	51	51
WWQ-06-30-10	0.12	54	100	45	91	M4	18	1,680	840	25	68	68
WWQ-06-60-06	0.13	85	60	76	51	M4	18	1,680	840	50	34	34
WWQ-06-60-08	0.15	85	80	76	71	M4	18	1,680	840	50	51	51
WWQ-06-60-10	0.17	85	100	76	91	M4	18	1,680	840	50	68	68
WWQ-10-40-10	0.29	73	100	60	87	M6	26	4,800	2,400	96	170	170
WWQ-10-40-15	0.34	73	150	60	137	M6	26	4,800	2,400	96	290	290
WWQ-10-40-20	0.40	73	200	60	187	M6	26	4,800	2,400	96	410	410
WWQ-10-80-10	0.34	107	100	94	87	M6	26	4,800	2,400	178	170	170
WWQ-10-80-15	0.42	107	150	94	137	M6	26	4,800	2,400	178	290	290
WWQ-10-80-20	0.50	107	200	94	187	M6	26	4,800	2,400	178	410	410
WWQ-10-120-10	0.41	153	100	140	87	M6	26	4,800	2,400	288	170	170
WWQ-10-120-15	0.54	153	150	140	137	M6	26	4,800	2,400	288	290	290
WWQ-10-120-20	0.66	153	200	140	187	M6	26	4,800	2,400	288	410	410
WWQ-16-60-10	0.71	104	100	86	82	M8	35	8,400	4,200	240	270	270
WWQ-16-60-15	0.84	104	150	86	132	M8	35	8,400	4,200	240	480	480
WWQ-16-60-20	0.97	104	200	86	182	M8	35	8,400	4,200	240	690	690
WWQ-20-80-15	1.20	134	150	116	132	M8	44	12,800	6,400	525	670	670
WWQ-20-80-20	1.30	134	200	116	182	M8	44	12,800	6,400	525	990	990
WWQ-20-80-25	1.50	134	250	116	232	M8	44	12,800	6,400	525	1,250	1,250

⁵⁷⁾ Height dimension minus the bearing clearance tolerance ⁶⁴⁾ Optional with manual clamp, suffix "-HKA"

Can be combined with:



Suitable liner material:

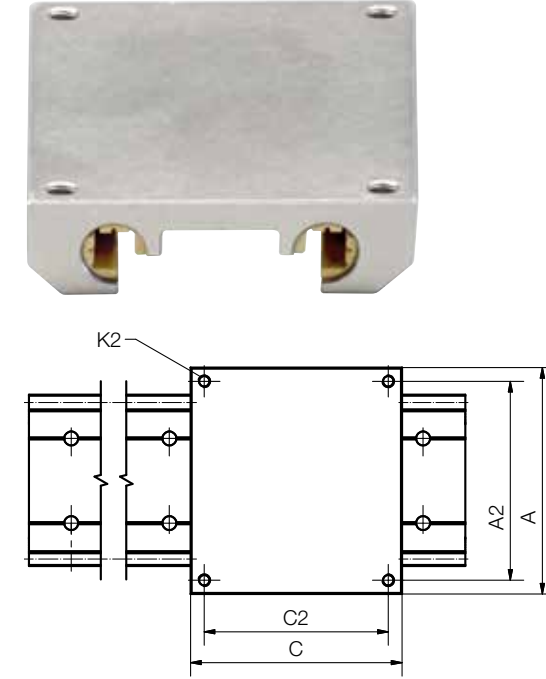


Order key

Type Size

WWC-10-40-10

- Mono-slide guide carriage
- Shafts Ø [mm]
- Profile width
- Carriage length

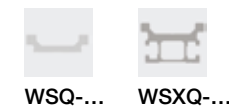


Technical data and dimensions [mm]

Part No.	Weight [kg]	A		A2	C2	K2	H2 ⁵⁷⁾ ±0.2	Static load capacity				
		Width	Length					Coy [N]	Coz [N]	Mox [Nm]	Moy [Nm]	Moz [Nm]
WWC-06-30-06	0.07	54	60	45	51	M4	16	1,680	840	25	34	34
WWC-06-30-08	0.09	54	80	45	71	M4	16	1,680	840	25	51	51
WWC-06-30-10	0.12	54	100	45	91	M4	16	1,680	840	25	68	68
WWC-06-60-06	New 0.09	85	60	76	51	M4	16	1,680	840	50	34	34
WWC-06-60-08	New 0.12	85	80	76	71	M4	16	1,680	840	50	51	51
WWC-06-60-10	New 0.15	85	100	76	91	M4	16	1,680	840	50	68	68
WWC-10-40-10	0.21	73	100	60	87	M6	22	4,800	2,400	96	170	170
WWC-10-40-15	0.32	73	150	60	137	M6	22	4,800	2,400	96	290	290
WWC-10-40-20	0.42	73	200	60	187	M6	22	4,800	2,400	96	410	410
WWC-10-80-10	0.28	107	100	94	87	M6	22	4,800	2,400	178	170	170
WWC-10-80-15	0.42	107	150	94	137	M6	22	4,800	2,400	178	290	290
WWC-10-80-20	0.56	107	200	94	187	M6	22	4,800	2,400	178	410	410
WWC-10-120-10	0.36	153	100	140	87	M6	22	4,800	2,400	288	170	170
WWC-10-120-15	0.54	153	150	140	137	M6	22	4,800	2,400	288	290	290
WWC-10-120-20	0.72	153	200	140	187	M6	22	4,800	2,400	288	410	410
WWC-16-60-10	0.41	104	100	86	82	M8	30	8,400	4,200	240	270	270
WWC-16-60-15	0.61	104	150	86	132	M8	30	8,400	4,200	240	480	480
WWC-16-60-20	0.80	104	200	86	182	M8	30	8,400	4,200	240	690	690
WWC-20-80-15	0.99	134	150	116	132	M8	40	12,800	6,400	525	670	670
WWC-20-80-20	1.33	134	200	116	182	M8	40	12,800	6,400	525	990	990
WWC-20-80-25	1.66	134	250	116	232	M8	40	12,800	6,400	525	1,250	1,250

⁵⁷⁾ Height dimension minus the bearing clearance tolerance

Can be combined with:



Suitable liner material:





WS-10-30

WS-10-30-CA

i Hard-anodised surfaces
▶ Page 43

Clear anodised surface
▶ Page 43

o Curved rail profiles
▶ Page 48

Technical data and dimensions [mm]

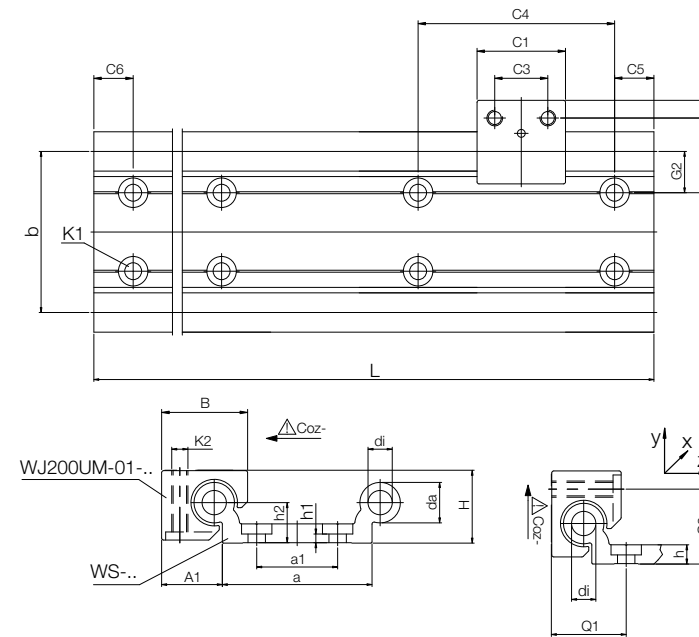
Part No.	Weight [kg/m]	H ⁵⁷⁾ ±0.25	da	di	L max.	a	A1	b	h	h1	h2	G1	G2
WS-10-30	0.85	18	10-0.1	-	4,000	30-0.5	16.5	30	5.5	5.5 ⁵⁸⁾	9	25	15
WS-10-30-CA New	0.85	18	10	-	4,000	30-0.5	16.5	30	5.5	5.5	9	25	15
WS-10-40	1.00	18	10-0.1	-	4,000	40-0.5	16.5	40	5.5	5.5 ⁵⁸⁾	9	30	20
WS-10-40-CA New	1.00	18	10	-	4,000	40-0.5	16.5	40	5.5	5.5	9	30	20
WS-10-80	1.50	18	10-0.1	-	4,000	74-0.7	16.5	74	5.5	5.5 ⁵⁸⁾	9	27	17
WS-10-80-CA New	1.50	18	10	-	4,000	74-0.7	16.5	74	5.5	5.5	9	27	17
WS-10-120	2.02	18	10-0.1	-	4,000	120-0.7	16.5	120	5.5	5.5 ⁵⁸⁾	9	30	20
WS-10-120-CA New	2.02	18	10	-	4,000	120	16.5	120	5.5	5.5	9	30	20
WS-16-60	1.96	27	16-0.1	8.0	4,000	54-0.5	25.0	58	7.5	3.5	14	43	29
WS-16-60-CA New	1.96	27	16	8.0	4,000	54-0.5	25.0	58	7.5	3.5	14	43	29
WS-16-120 New	3.14	27	16-0.1	8.0	4,000	116-0.4	25.0	120	7.5	3.5	14	34	20
WS-20-80	3.30	36	20-0.1	10.2	4,000	74-0.7	30.0	82	9.5	4.5	20	38	21
WS-20-80-CA New	3.30	36	20	10.2	4,000	74-0.7	30.0	82	9.5	4.5	20	38	21
WS-25-120	5.8	45	25-0.15	14.0	4,000	120-0.7	37.5	131	11.5	5.5	25	46.5	25.5

⁵⁷⁾ Height dimension minus the bearing clearance tolerance

⁵⁸⁾ Plain holes

⁶²⁾ WS-10-40/-16-60 a single row of mounting holes down the centreline; WS-10-80/-10-120/-20-80/-25-120 two parallel rows of mounting holes

Standard hole pattern: C5 = C6, please order with drawing for C5 ≠ C6.

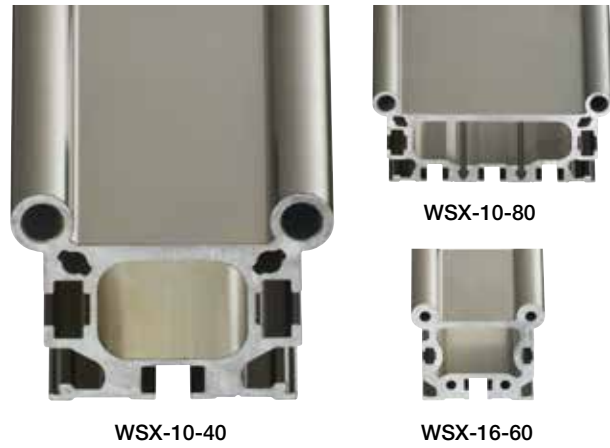


This orientation not possible for
WS-10-30/WS-10-40/
WS-10-80/WS-10-120

Order key

Type	Option
WS-10-40-CA	
Profile rail, round	Option: CA: Clear anodised
Shaft Ø	Optional: Econ series with clear anodising (silver)
Rail width [mm]	
Clear anodised	

a1 ⁶²⁾	Q1	Q2	C4	C5		C6		K1 for screw DIN 912	Surface inertia-moment		Moment of resistance	
				min.	max.	min.	max.		ly [mm ⁴]	lz [mm ⁴]	Wby [mm ³]	Wbz [mm ³]
-	-	-	120	20	79.5	20	79.5	M5 ⁵⁸⁾	47,500	4,400	2,370	540
-	-	-	120	20	79.5	20	79.5	M5 ⁵⁸⁾	47,500	4,400	2,370	540
-	-	-	120	20	79.5	20	79.5	M6 ⁵⁸⁾	91,000	5,100	3,600	590
-	-	-	120	20	79.5	20	79.5	M6 ⁵⁸⁾	91,000	5,100	3,600	590
40	-	-	120	20	79.5	20	79.5	M6 ⁵⁸⁾	388,000	6,100	9,200	650
40	-	-	120	20	79.5	20	79.5	M6 ⁵⁸⁾	388,000	6,100	9,200	650
80	-	-	120	20	79.5	20	79.5	M6 ⁵⁸⁾	1,303,000	7,100	20,000	720
80	-	-	120	20	79.5	20	79.5	M6 ⁵⁸⁾	1,303,000	7,100	20,000	720
-	32	28	120	20	79.5	20	79.5	M8	367,600	26,100	9,900	1,900
-	32	28	120	20	79.5	20	79.5	M8	367,600	26,100	9,900	1,900
80	33	28	120	20	79.5	20	79.5	M8	2,114,000	33,200	31,100	2,150
40	37	37	120	20	79.5	20	79.5	M8	1,080,000	78,700	21,000	4,000
40	37	37	120	20	79.5	20	79.5	M8	1,080,000	78,700	21,000	4,000
80	45.5	46	150	25	99.5	25	99.5	M10	4,867,000	215,000	62,400	8,500

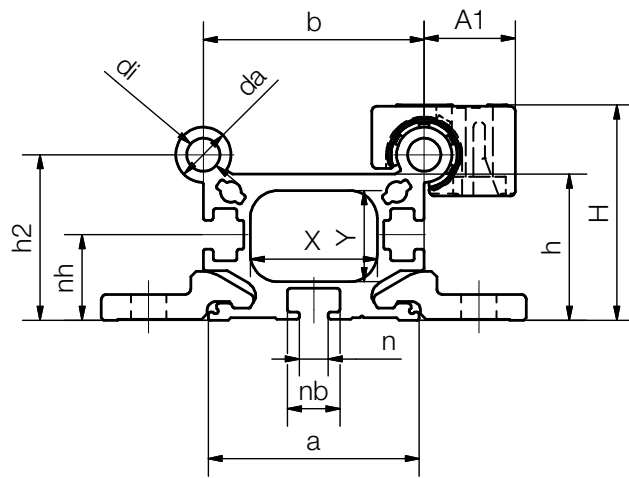


Order key

Type	Length
------	--------

WS X - 10 - 40 - 4000

Profile rail	High profile rail	Shaft Ø	Rail width [mm]	Rail length [mm]
--------------	-------------------	---------	-----------------	------------------



Technical data and dimensions [mm]

Part No.	Weight [kg/m]	H ⁵⁷⁾ ±0.25	da -0.1	di	L max.	a	A1	b	h	h2	Øs	K1	C1	C3	G1
WSX-10-40	1.3	39	10	6	4,000	38.2	16.5	40	26.5	30	60	M6	29	16	30
WSX-10-80	2.0	39	10	6	4,000	72.2	16.5	74	26.5	30	94	M6	29	16	47
WSX-16-60	4.2	65	16	6	4,000	62.0	25.0	58	49.0	52	100	M8	36	18	50

Part No.	nh	n	nb	X	Y	Surface inertia-moment		Moment of resistance	
						I _y [mm ⁴]	I _z [mm ⁴]	W _{by} [mm ³]	W _{bz} [mm ³]
WSX-10-40	15.5	5.2	9.5	23	16.0	97,560	54,910	3,902	3,074
WSX-10-80	15.5	5.2	9.5	55	16.0	483,653	83,613	11,515	4,684
WSX-16-60	27.6	10.0	15.4	40	27.0	540,876	773,489	14,618	24,586

⁵⁷⁾ Height dimension minus the bearing clearance tolerance



Order key

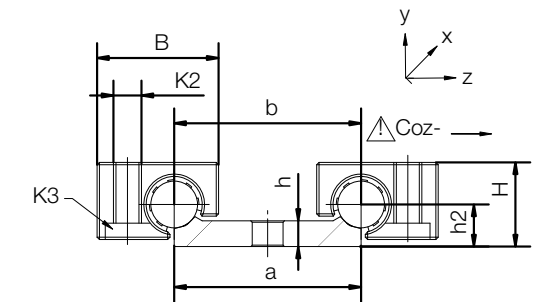
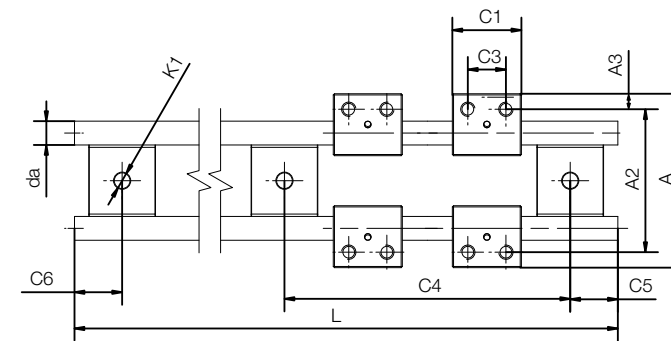
Type

WS - 10 - 40 - ES - FG

Profile rail, round	Shaft Ø	Rail width [mm]	Stainless steel	Precision casting
---------------------	---------	-----------------	-----------------	-------------------

i Installation size 10-20
Housing and shaft support material
AISI 316
Shaft material AISI 316Ti

Installation size 25
Shaft, shaft support
and housing material AISI 316Ti



Technical data and dimensions [mm]

Part No.	Weight [kg/m]	H ⁵⁷⁾ ±0.25	da h9	L max.	a -0.3	b	h	h2	A	A2
WS-10-30-ES New	1.53	24	10	3,000	30	30	5.5	9	47	38
WS-10-40-ES-FG	1.58	18	10	3,000	40	40	5.5	9	73	60

Part No.	C4	C5 min.	C5 max.	C6 min.	C6 max.	K1 for screw DIN 912
WS-10-30-ES	120	30	30.0	30	30.0	M6
WS-10-40-ES-FG	120	20	79.5	20	79.5	M6

⁵⁷⁾ Height dimension minus the bearing clearance tolerance



i In the following sizes, also available with adjustable bearing clearance:
10, 16 and 20; order example: WWE-10-40-15

Technical data and dimensions [mm]

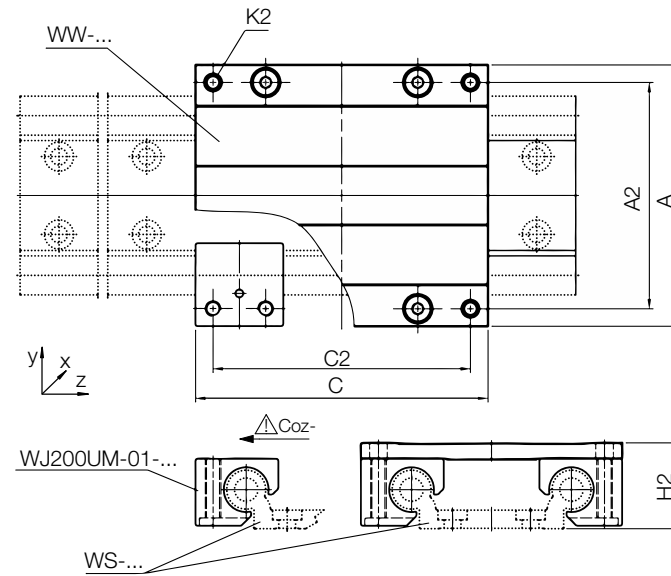
Part No. ⁶⁴⁾	Weight [kg]	A	C	A2	C2	K2
		Width	Length			
WW-10-30-08	0.26	63	80	50	67	M6
WW-10-30-10	0.28	63	100	50	87	M6
WW-10-30-15	0.32	63	150	50	137	M6
WW-10-40-10	0.29	73	100	60	87	M6
WW-10-40-15	0.34	73	150	60	137	M6
WW-10-40-20	0.40	73	200	60	187	M6
WW-10-80-10	0.34	107	100	94	87	M6
WW-10-80-15	0.42	107	150	94	137	M6
WW-10-80-20	0.50	107	200	94	187	M6
WW-10-120-10	0.41	153	100	140	87	M6
WW-10-120-15	0.54	153	150	140	137	M6
WW-10-120-20	0.66	153	200	140	187	M6
WW-16-60-10	0.71	104	100	86	82	M8
WW-16-60-15	0.84	104	150	86	132	M8
WW-16-60-20	0.97	104	200	86	182	M8
WW-16-120-15 New	1.00	166	150	148	132	M8
WW-16-120-20 New	1.17	166	200	148	182	M8
WW-16-120-25 New	1.35	166	250	148	232	M8
WW-20-80-15	1.20	134	150	116	132	M8
WW-20-80-20	1.30	134	200	116	182	M8
WW-20-80-25	1.50	134	250	116	232	M8
WW-25-120-15	2.54	195	150	173	128	M10
WW-25-120-20	2.80	195	200	173	178	M10
WW-25-120-25	3.07	195	250	173	228	M10

⁵⁷⁾ Height dimension minus the bearing clearance tolerance ⁶⁴⁾ Optional with manual clamp, suffix "-HKA"

Can be combined with:



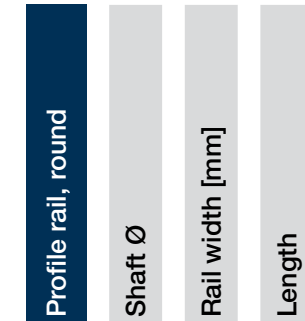
Suitable liner material:



Order key

Type

WS-10-30-08



H2 ⁵⁷⁾ ±0.25	Static load capacity				
	Coy [N]	Coz [N]	Mox [Nm]	Moy [Nm]	Moz [Nm]
24	4,800	2,400	72	120	120
24	4,800	2,400	72	170	170
24	4,800	2,400	72	290	290
24	4,800	2,400	96	170	170
24	4,800	2,400	96	290	290
24	4,800	2,400	96	410	410
24	4,800	2,400	178	170	170
24	4,800	2,400	178	290	290
24	4,800	2,400	178	410	410
24	4,800	2,400	288	170	170
24	4,800	2,400	288	290	290
24	4,800	2,400	288	410	410
35	8,400	4,200	240	270	270
35	8,400	4,200	240	480	480
35	8,400	4,200	240	690	690
35	8,400	4,200	504	480	480
35	8,400	4,200	504	690	690
35	8,400	4,200	504	900	900
44	12,800	6,400	525	670	670
44	12,800	6,400	525	990	990
44	12,800	6,400	525	1,250	1,250
55	19,200	9,600	1,250	880	880
55	19,200	9,600	1,250	1,360	1,360
55	19,200	9,600	1,250	1,840	1,840

Linear sliding carriage directly replace ball bearing guide

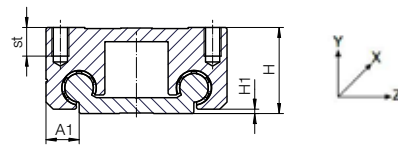
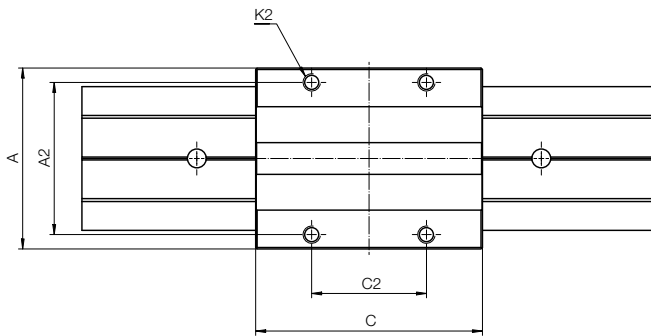


Order key

Type

WW-10-30-T15-AL

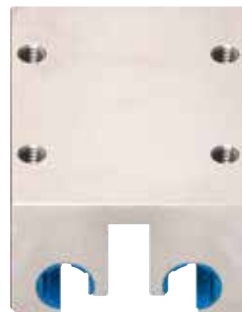
Guide carriage	Shaft Ø	Rail width [mm]	Installation size	Aluminium
----------------	---------	-----------------	-------------------	-----------



Technical data and dimensions [mm]

Part No.	H	A	C	A1	A2	C2	K2	st	H1	Weight [g]
WW-10-30-T15-AL New	24	47	59	8.5	38	30	M5	6	1.5	87.8
WW-10-30-T20-AL New	30	63	79	11.5	53	40	M6	10	1.5	210.0

Linear sliding carriage directly replace ball bearing guide - made of stainless steel



Order key

Type

WW-10-30-T15-ES2-□

Guide carriage	Shaft Ø	Rail width [mm]	Installation size	Stainless steel	iglidur® material
					iglidur® material A160: iglidur® A160 E7: iglidur® E7

Technical data and dimensions [mm]

Part No.	H	A	C	A1	A2	C2	K2	st	H1	Weight [kg]
WW-10-30-T15-ES2-□ New	24	47	59	8.5	38	30	M5	6	1.5	0.25
WW-10-40-T20-ES2-□ New	30	63	79	11.5	53	40	M6	10	1.5	0.60

Slim linear carriages

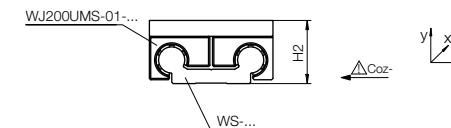
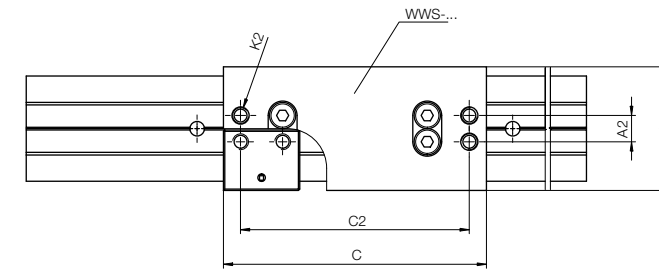


Order key

Type

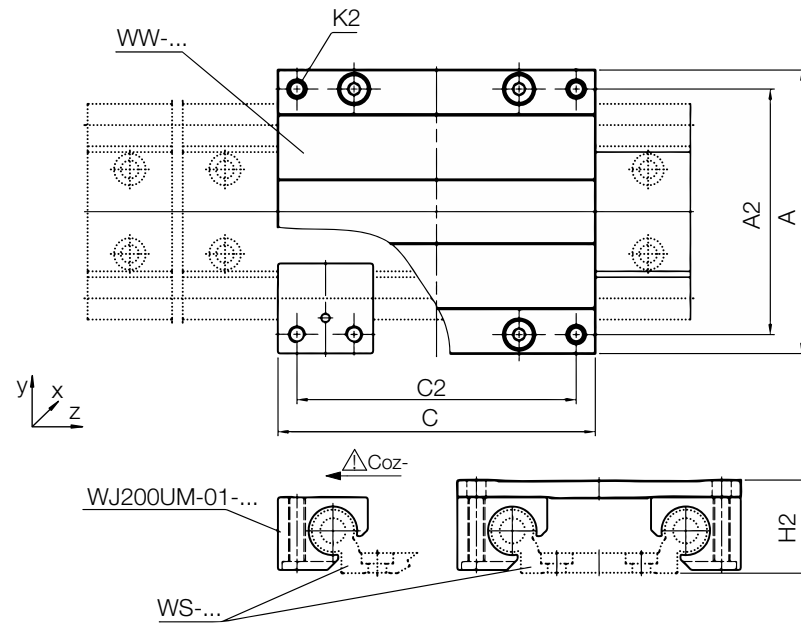
WWS-10-30-10-AL

Guide carriage, slim	Shaft Ø	Rail width [mm]	Length	Aluminium
----------------------	---------	-----------------	--------	-----------



Technical data and dimensions [mm]

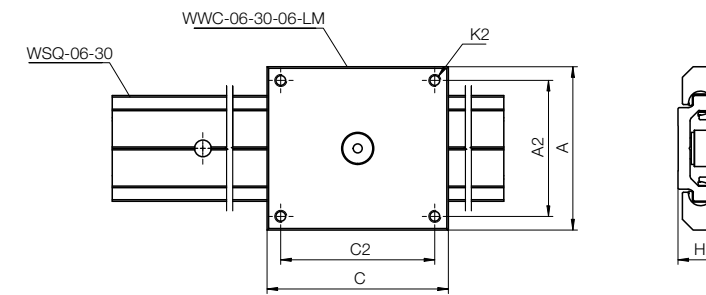
Part No.	A C		A2	C2	K2	H2 ±0.25	Weight [kg]	Static load capacity				
	Width	Length						Coy [N]	Coz [N]	Mox [N]	Moy [N]	Moz [N]
WWS-10-30-10-AL New	47	100	10	87	M6	24	0.15	2,400	1,200	36	85	85
WWS-16-60-15-AL New	84	150	27	132	M8	35	0.45	4,200	2,100	120	240	240



Type Size

WWC-06-30-06-LM

Mono-slide guide carriage	Shafts Ø [mm]	Profile width	Carriage length	Locking mechanism
------------------------------	---------------	---------------	-----------------	-------------------



Technical data and dimensions [mm]

Part No. ⁶⁴⁾	Weight [kg]	A		C2	K2	H2 ⁵⁷⁾	Static load capacity					
		Width	Length				±0.25	Coy	Coz	Mox	Moy	Moz
WW-10-40-10-J200-GESG-PES	0.29	73	100	60	87	M6	24	4,800	2,400	96	170	170
WW-10-40-15-J200-GESG-PES	0.34	73	150	60	137	M6	24	4,800	2,400	96	290	290
WW-10-40-20-J200-GESG-PES	0.40	73	200	60	187	M6	24	4,800	2,400	96	410	410

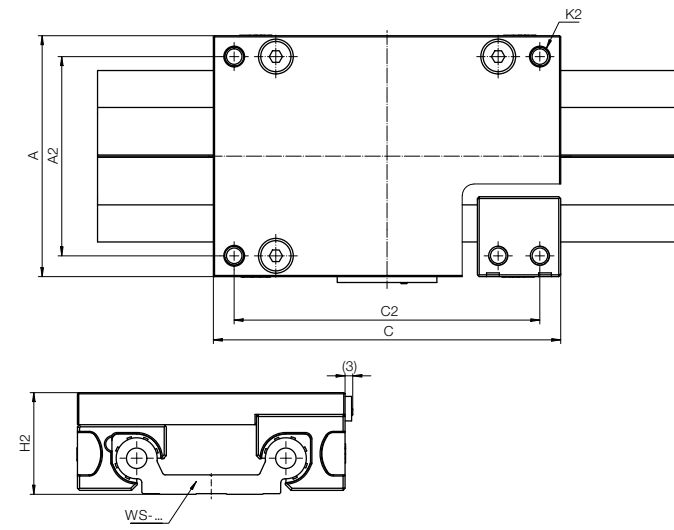
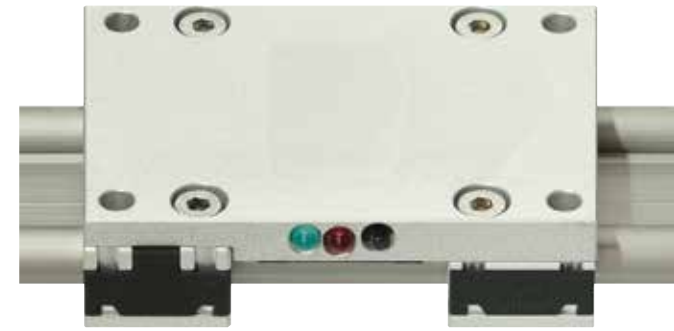
⁵⁷⁾ Height dimension minus the bearing clearance tolerance

⁶⁴⁾ Optional with manual clamp, suffix "-HKA"

Technical data and dimensions [mm]

Part No.	Weight [kg]	A		C2	K2	H2 ⁵⁷⁾	Static load capacity							
		Width	Length				max.	±0.6	±0.2	Coy	Coz	Mox	Moy	Moz
WWC-06-30-06-LM New	0.07	54	60	45	51	M4	16	1,680	840	25	34	34		

⁵⁷⁾ Height dimension minus the bearing clearance tolerance



Order key

Type	Size	Option
------	------	--------

WW-10-40-10-IS-LED

Guide carriage, round	Shaft Ø	Profile width [mm]	Carriage length [mm]	i.Sense	LED display
-----------------------	---------	--------------------	----------------------	---------	-------------

Option:
LED: With LED display

Technical data and dimensions [mm]

Part No.	Weight [kg]	Width Length						Static load capacity				
		A	C	A2	C2	K2	H2 ⁵⁷⁾ ±0.25	Coy [N]	Coz [N]	Mox [Nm]	Moy [Nm]	Moz [Nm]
WW-10-40-10-IS.LED New	0.3	73	100	60	87	M6	30.5	4,800	2,400	96	170	170
WW-10-40-10-IS.LED-02 New	0.3	73	100	60	87	M6	30.5	4,800	2,400	96	170	170
WW-10-40-15-IS.LED New	0.4	73	150	60	137	M6	30.5	4,800	2,400	96	290	290
WW-10-80-10-IS.LED New	0.4	107	100	94	87	M6	30.5	4,800	2,400	178	170	170
WW-16-60-15-IS.LED New	0.7	104	150	86	132	M8	39.5	8,400	4,200	240	480	480
WW-20-80-15-IS.LED New	1.0	134	150	116	132	M8	48.5	12,800	6,400	525	670	670

⁵⁷⁾ Height dimension minus the bearing clearance tolerance



Simple bearing liner replacement. Version with signal transmission, without LED.

Also available with online condition monitoring.
▶ www.igus.eu/led

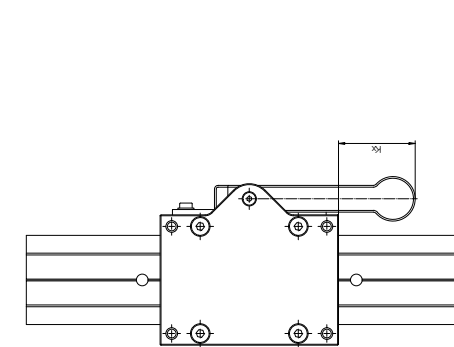


Order key

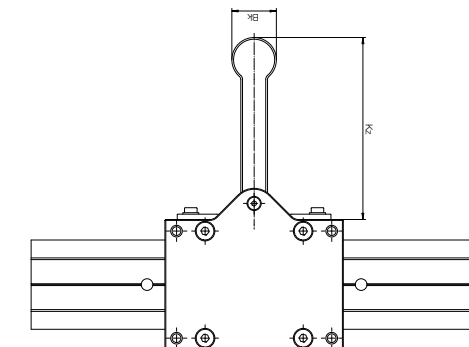
Type	Size
------	------

WW-10-40-10-HKX

Guide carriage, round	Shaft Ø	Profile width [mm]	Carriage length [mm]	Clamp system
-----------------------	---------	--------------------	----------------------	--------------



Open clamp



Closed clamp

Technical data and dimensions [mm]

Part No.	Min. holding force [N]	Static load capacity				
		Coy [N]	Coz [N]	Mox [Nm]	Moy [Nm]	Moz [Nm]
WW-10-40-10-HKX New	30	4,800	2,400	96	170	170
WW-16-60-15-HKX New	60	8,400	4,200	240	480	480
WW-20-80-15-HKX New	60	12,800	6,400	525	670	670

Part No.	Weight [kg]	A	C	A2	C2	K2	H2 ±0.25	Kx	Kz	Bk
		WW-10-40-10-HKX New	0.41	73	100	60	87	M6	24	45.5
WW-16-60-15-HKX New	0.98	104	150	86	132	M8	35	28.0	108.0	25
WW-20-80-15-HKX New	1.51	134	150	116	132	M8	44	28.0	107.0	25

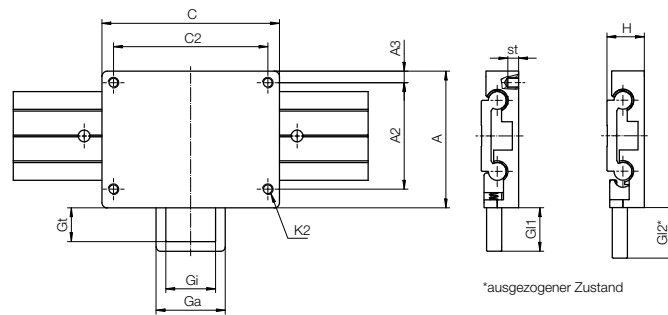


Order key

Type Size

WW-10-40-10-TC

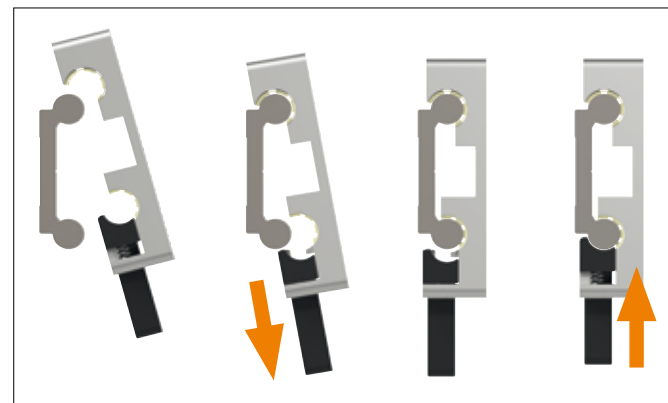
Guide carriage, round	Shaft Ø	Profile width [mm]	Carriage length [mm]	Clip mechanism
-----------------------	---------	--------------------	----------------------	----------------



Technical data and dimensions [mm]

Part No.	Weight [g]	Gt	Gi	Ga	GI1	GI2
WW-10-40-10-TC New	176	19	28	39	24.5	28.5

Part No.	H	A	C	A2	A3	C2	K2	st	H1
WW-10-40-10-TC New	21	77	100	60	6.5	87	M6	6	1.5



Install and remove the linear carriage at the desired position. Put the carriage on, pull the lever down and clip it in place.

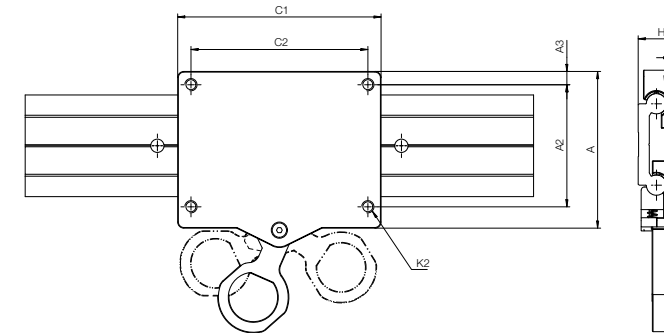


Order key

Type Size

WW-10-40-10-CC

Guide carriage, round	Shaft Ø	Profile width [mm]	Carriage length [mm]	Clip and clamping mechanisms
-----------------------	---------	--------------------	----------------------	------------------------------

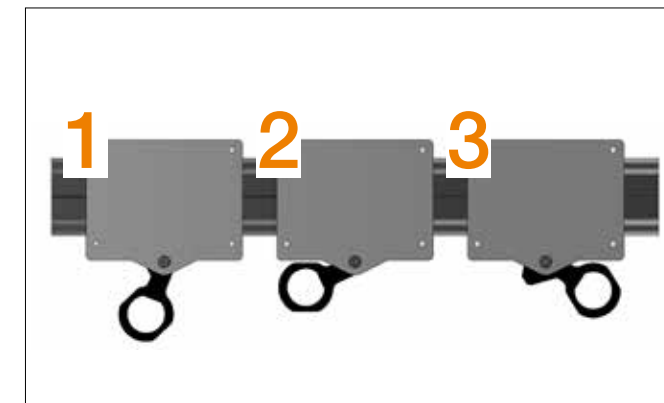


Technical data and dimensions [mm]

Part No.	Weight [g]	Min. holding force ⁶⁷⁾ [N]
WW-10-40-10-CC New	212	30

Part No.	H	A	C1	A2	A3	C2	K2	st	H
WW-10-40-10-CC New	22	77	100	60	6.5	87	M6	6	1.5

⁶⁷⁾ Condition: dry rail surface

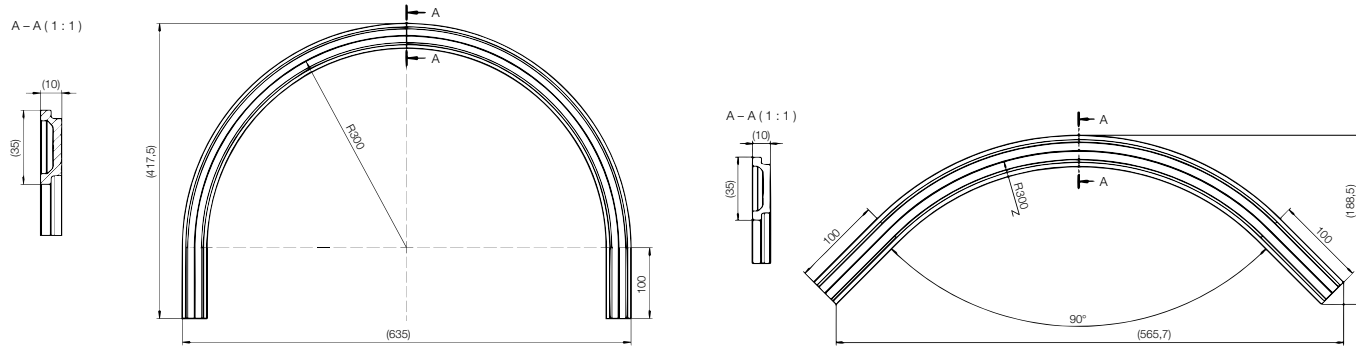
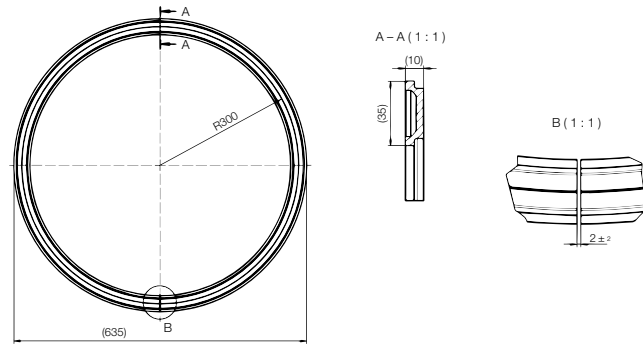


1. Adjustment as linear carriage on drylin® W double rail
2. Clamping position (no linear movement possible)
3. Clip-on mechanism for removing the linear carriage from the rail

The manual clamp was developed for simple tasks. The creep behaviour of the clamped plastic causes a reduction in clamping force over time, so no safety-relevant parts should be clamped. The actual holding force depends on environmental influences.



WSB-06-30-RK300QS



More information
▶ www.igus.eu/curved

Curved rail profiles
▶ Page 48

Technical data and dimensions [mm]

Part No.	Matching carriage for curved rail	Form	Bend radius	End straight
WSB-06-30-RK300F ¹⁵¹⁾	WWB-06-30-06-R300-□ ¹⁸⁸⁾ -□ ⁶⁴⁾	Full circle	300	-
WSB-06-30-RK300HS	WWB-06-30-06-R300-□ ¹⁸⁸⁾ -□ ⁶⁴⁾	Half circle	300	100
WSB-06-30-RK300QS	WWB-06-30-06-R300-□ ¹⁸⁸⁾ -□ ⁶⁴⁾	Quarter circle	300	100
WSB-06-30-RK500HS	WWB-06-30-06-R500-□ ¹⁸⁸⁾ -□ ⁶⁴⁾	Half circle	500	100
WSB-06-30-RK500QS	WWB-06-30-06-R500-□ ¹⁸⁸⁾ -□ ⁶⁴⁾	Quarter circle	500	100

¹⁵¹⁾ The F version (full circle) has a transition of 2mm (±0.2). Due to the bending process, material displacement tolerances, which can be up to several millimetres depending on the bend direction and radius, must be taken into account.

¹⁸⁸⁾ Optional with spring pre-load

⁶⁴⁾ Optional with manual clamp, suffix "-HKA"

RK: Radius curved bending

S: Straight rail ends in the case of semicircle and quarter circle

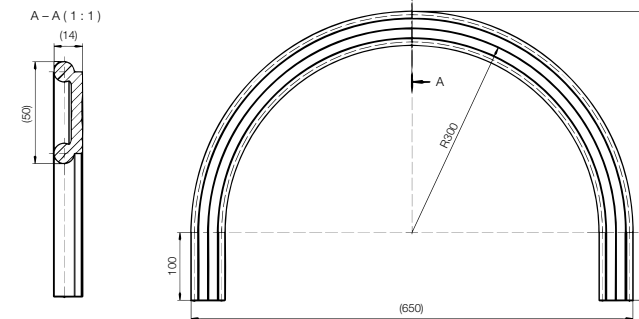
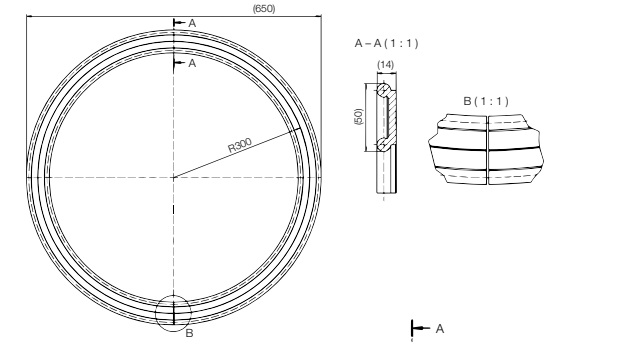
Can be combined with:



WWB-...



WSB-10-40-RK300QS



Order key

Type Size Option

WSB-06-30-RK 300- F

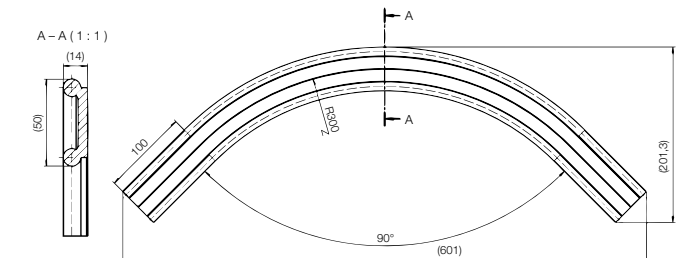
Curved rail profile	Shaft Ø	Profile width [mm]	Radius curved bending	Bend radius	Form
---------------------	---------	--------------------	-----------------------	-------------	------

Options:

F: Full circle

H: Half circle, end straight (HS)

Q: Quarter circle, end straight (QS)



Technical data and dimensions [mm]

Part No.	Matching carriage for curved rail	Form	Bend radius	End straight
WSB-10-40-RK300F ¹⁵¹⁾	WWB-10-40-10-R300-□ ¹⁸⁸⁾ -□ ⁶⁴⁾	Full circle	300	-
WSB-10-40-RK300HS	WWB-10-40-10-R300-□ ¹⁸⁸⁾ -□ ⁶⁴⁾	Half circle	300	100
WSB-10-40-RK300QS	WWB-10-40-10-R300-□ ¹⁸⁸⁾ -□ ⁶⁴⁾	Quarter circle	300	100
WSB-10-40-RK500F ¹⁵¹⁾	WWB-10-40-10-R500-□ ¹⁸⁸⁾ -□ ⁶⁴⁾	Full circle	500	-
WSB-10-40-RK500HS	WWB-10-40-10-R500-□ ¹⁸⁸⁾ -□ ⁶⁴⁾	Half circle	500	100
WSB-10-40-RK500QS	WWB-10-40-10-R500-□ ¹⁸⁸⁾ -□ ⁶⁴⁾	Quarter circle	500	100

¹⁵¹⁾ The F version (full circle) has a transition of 2mm (±0.2). Due to the bending process, material displacement tolerances, which can be up to several millimetres depending on the bend direction and radius, must be taken into account.

¹⁸⁸⁾ Optional with spring pre-load

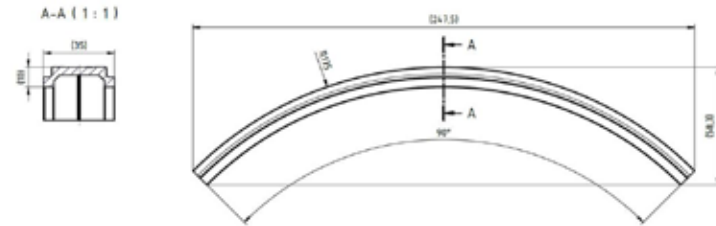
⁶⁴⁾ Optional with manual clamp, suffix "-HKA"

RK: Radius curved bending

S: Straight rail ends in the case of semicircle and quarter circle



WSB-06-30-RX300Q



More information

► www.igus.eu/curved

Technical data and dimensions [mm]

Part No.	Matching carriage for curved rail	Form	Bend radius	Profile direction
WSB-06-30-RX300Q New	WWB-06-30-04 WWB-06-30-06-□ ¹⁸⁸⁾ -□ ⁶⁴⁾	Quarter circle	300	concave/convex

¹⁸⁸⁾ Optional with spring pre-load

⁶⁴⁾ Optional with manual clamp, suffix "-HKA"

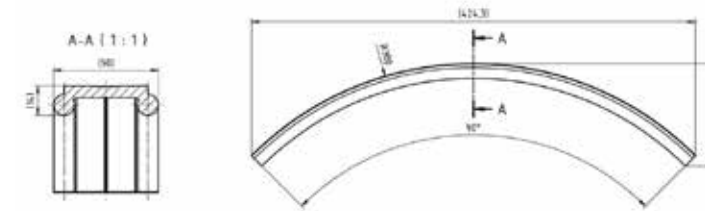
Can be combined with:



WWB-...



WSB-10-40-RX300Q



Technical data and dimensions [mm]

Part No.	Matching carriage for curved rail	Form	Bend radius	Profile direction
WSB-10-40-RX300Q New	WWB-10-40-10-□ ¹⁸⁸⁾ -□ ⁶⁴⁾	Quarter circle	300	concave/convex

¹⁸⁸⁾ Optional with spring pre-load

⁶⁴⁾ Optional with manual clamp, suffix "-HKA"



Order key

Type	Size	Option
------	------	--------

WSB-06-30-RX 300-Q

Curved rail profile	Shaft Ø	Profile width [mm]	Radius concave/convex	Bend radius	Form
---------------------	---------	--------------------	-----------------------	-------------	------

Design options:

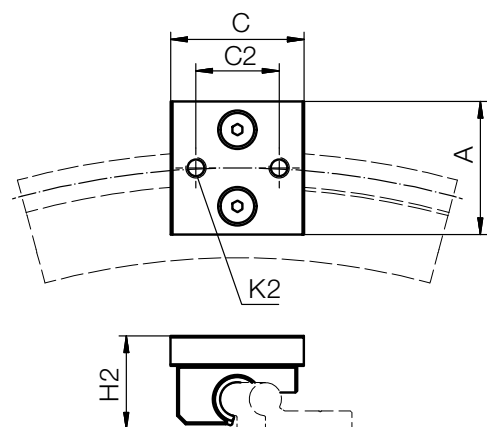
Q: Quarter circle

Order key

Type	Option	Option
------	--------	--------

WI3U B P -01-10-LLZ

drylin® W	Liner material iglidur® i3	Curved	Polymer	Standard	Size	Floating bearing in y-direction
-----------	-------------------------------	--------	---------	----------	------	------------------------------------



Dimensions [mm]

Part No.	Weight [g]	A	C	C2	K2	H2
WI3UBP-01-10	50	40	40	25	M6	28
WI3UBP-01-10-R300-LLZ	44	40	40	25	M6	28
WI3UBP-01-10-R500-LLZ	44	40	40	25	M6	28
WI3UBP-01-10-LLZ	44	40	40	25	M6	28

Can be combined with:



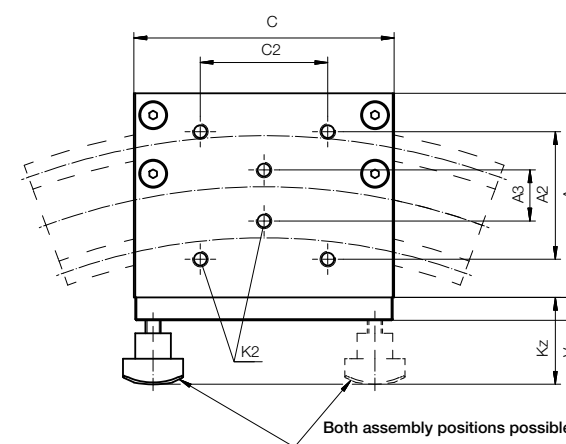
WSB-...

Order key

Type	Size	Option
------	------	--------

WWB-10-40-10-P-HKA

Guide carriage for curved rails	Shaft Ø	Profile width [mm]	Carriage length [mm]	With spring pre-load	With manual clamp
------------------------------------	---------	--------------------	----------------------	----------------------	-------------------



Technical data and dimensions [mm]

Part No.	Weight [kg]	A	C	A2	A3	C2	K2	H2	Vz	Kz
		±0.25	-0.1							
WWB-06-30-06-R300-□-□	0.31	58	60	30	16	30	M4	20	7.5	29
WWB-06-30-06-R500-□-□	0.31	58	60	30	16	30	M4	20	7.5	29
WWB-10-40-10-R300-□-□	0.35	80	102	50	20	50	M6	28	9	34
WWB-10-40-10-R500-□-□	0.35	80	102	50	20	50	M6	28	9	34

Options:

Blank: Standard

P: With spring pre-load

P-HKA: With spring pre-load and manual clamp

HKA: With manual clamp

Curved rail profiles
► Page 48



Can be combined with:



WS-...



WS-...-ES-FG



WSB-...

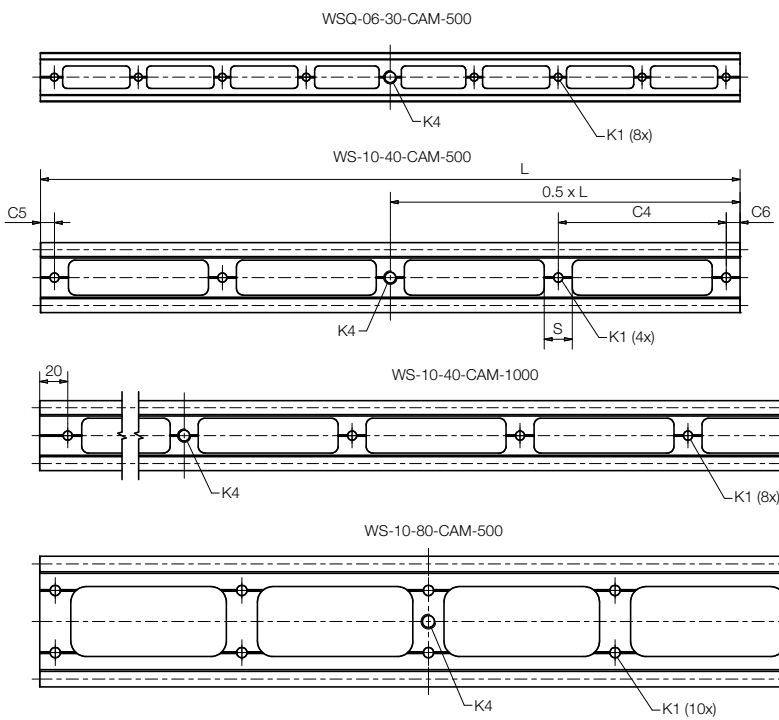


More information

► www.igus.eu/curved



- 30% weight reduction through machined recesses
- Suitable pillow blocks and carriages made from plastic, aluminium, zinc die-casting or stainless steel



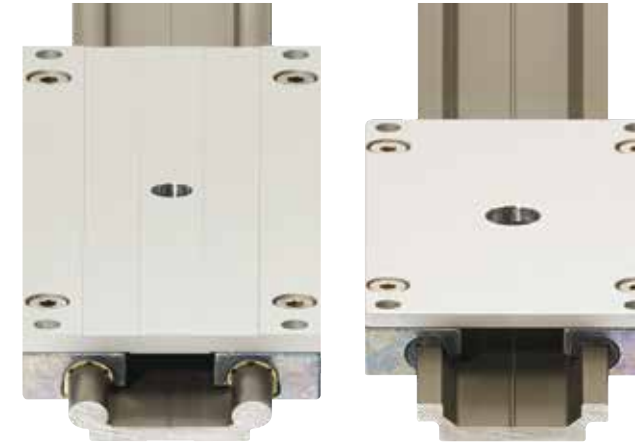
drylin® W guide rails - dimensions [mm]

Part No.	Identical profile	L	C4	C5	C6	S	K1 for screw DIN 192	K4	Weight [g]
WSQ-06-30-CAM-500	WSQ-06-30	500	60	10	10	12	M5	3/8" 16-UNC ⁶³⁾	159
WS-10-40-CAM-500	WS-10-40	500	120	10	10	20	M6	3/8" 16-UNC ⁶³⁾	353
WS-10-40-CAM-1000	WS-10-40	1,000	120	20	20	20	M6	3/8" 16-UNC ⁶³⁾	706
WS-10-80-CAM-500	WS-10-80	500	120	10	10	20	M6	3/8" 16-UNC ⁶³⁾	482

⁶³⁾ UNC = Unified National Coarse, Anglo-American. Screw thread standard



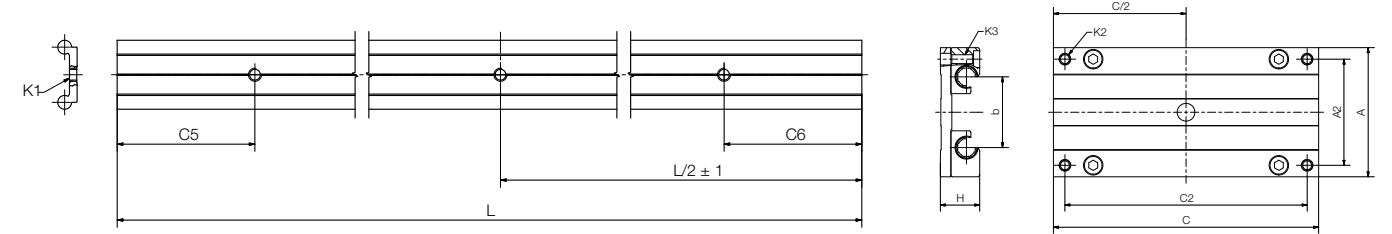
Application example:
camera slider with standard
rail and carriage
► www.igus.eu/camera



- Wear-resistant, smooth and quiet motion
- Adjustable brake level due to the turn-to-fit function
- Easy and fast assembly
- Further dimensions such as standard WS rails
► Page 84

Technical options:

- Adjustable bearing housing ► Page 72
- Manual clamp ► Page 124



drylin® W special rails with 3 holes, 3/8" thread

Dimensions [mm]

Part No.	Size	L	C5 ± 1	C6 ± 1	Weight [kg/m]
WSQ-06-30-SL-1000	06	1,000	100	100	0.45
WSQ-06-30-SL-1500	06	1,500	100	100	0.45
WS-10-30-SL-1000	10	1,000	100	100	0.85
WS-10-30-SL-1500	10	1,500	100	100	0.85
WS-10-40-SL-1500	10	1,500	100	100	1.00
WS-10-80-SL-1000	10	1,000	100	100	1.50
WS-10-80-SL-1500	10	1,500	100	100	1.50
WS-16-60-SL-1000	16	1,000	100	100	1.96
WS-16-60-SL-1500	16	1,500	100	100	1.96
WS-20-80-SL-1000	20	1,000	100	100	3.30
WS-20-80-SL-1500	20	1,500	100	100	3.30

drylin® W complete carriage with Ø10mm through hole for 3/8" thread

Dimensions [mm]

Part No.	Size	C	A	Part No.	Size	C	A
WW-06-30-06-SL	06	60	54	WW-10-80-15-SL ^{64) 65)}	10	150	107
WW-06-30-08-SL	06	80	54	WW-10-80-20-SL ^{64) 65)}	10	200	107
WW-06-30-10-SL	06	100	54	WW-16-60-10-SL ⁶⁵⁾	16	100	104
WW-10-30-10-SL ^{64) 65)}	10	100	63	WW-16-60-15-SL ^{64) 65)}	16	150	104
WW-10-30-15-SL ^{64) 65)}	10	150	63	WW-16-60-20-SL ^{64) 65)}	16	200	104
WW-10-40-10-SL ^{64) 65)}	10	100	73	WW-20-80-15-SL ^{64) 65)}	20	150	134
WW-10-40-15-SL ^{64) 65)}	10	150	73	WW-20-80-20-SL ^{64) 65)}	20	200	134
WW-10-40-20-SL ^{64) 65)}	10	200	73	WW-20-80-25-SL ^{64) 65)}	20	250	134
WW-10-80-10-SL ^{64) 65)}	10	100	107				

⁶⁴⁾ Optional with manual clamp, suffix "-HKA"


⁶⁵⁾ Optional with adjustable "Turn-To-Fit" bearing (Order example: WWE-...)

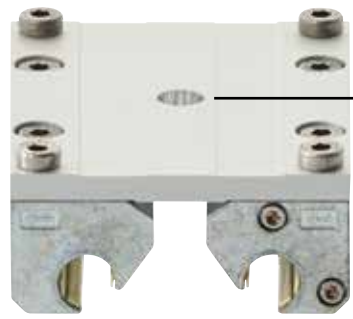
 Order key

Type	Dimensions	Design
------	------------	--------

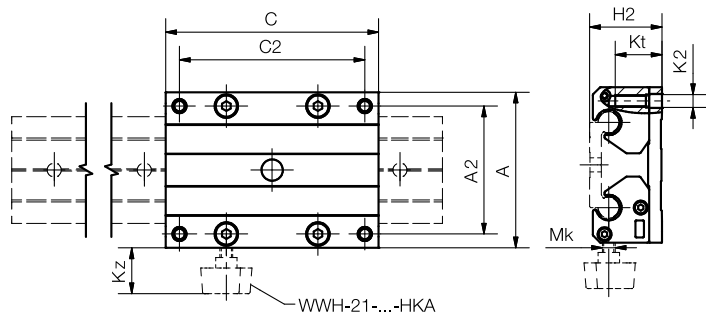
WWH-21-10-40-10-SL

drylin® W	Hybrid carriage	Double roller bearing	Installation size	Carriage length [mm]	Slider carriage
-----------	-----------------	-----------------------	-------------------	----------------------	-----------------

 Optional with manual clamp, suffix "-HKA"



Ø 10mm
through hole for
3/8" thread for
cameras



Technical data and dimensions [mm]

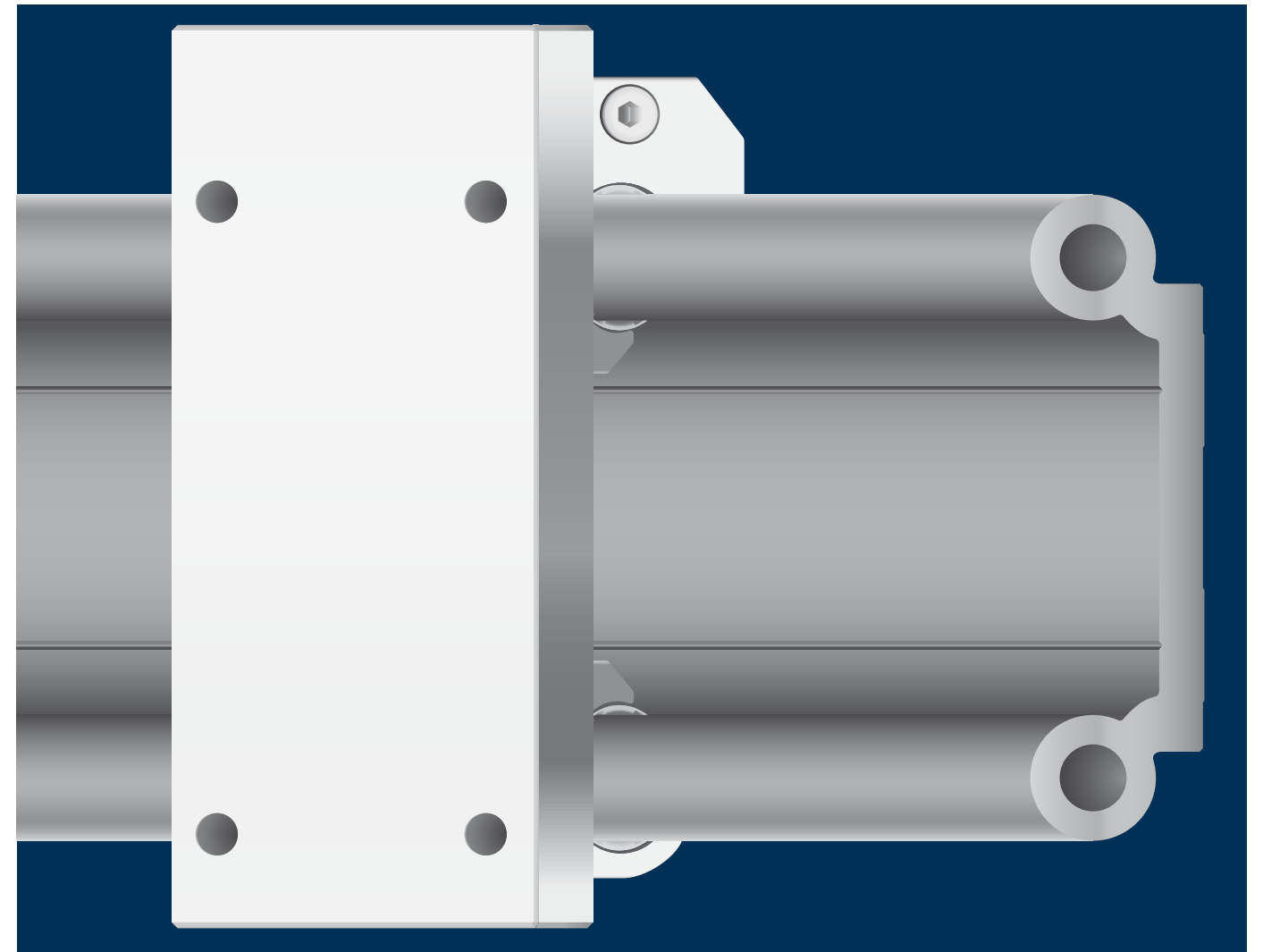
Part No.	Weight [kg]	A Width	C Length	A2	C2	K2	Kt	H2	Stat. load capacity Coy [N]
WWH-21-10-40-10-SL	0.59	73	100	60	87	M6	21	34	1,400
WWH-21-10-40-15-SL	0.64	73	150	60	137	M6	21	34	1,400
WWH-21-10-40-20-SL	0.70	73	200	60	187	M6	21	34	1,400
WWH-21-10-80-10-SL	0.64	107	100	94	87	M6	21	34	1,400
WWH-21-10-80-15-SL	0.72	107	150	94	137	M6	21	34	1,400
WWH-21-10-80-20-SL	0.80	107	200	94	187	M6	21	34	1,400
WWH-21-16-60-10-SL	1.31	104	100	86	82	M8	29	49	2,400
WWH-21-16-60-15-SL	1.44	104	150	86	132	M8	29	49	2,400
WWH-21-16-60-20-SL	1.57	104	200	86	182	M8	29	49	2,400
WWH-21-20-80-15-SL	1.72	134	150	116	132	M8	24	57	3,360
WWH-21-20-80-20-SL	1.82	134	200	116	182	M8	24	57	3,360
WWH-21-20-80-25-SL	2.02	134	250	116	232	M8	24	57	3,360

Can be combined with:



Can be combined with camera slider rails

► Page 104



drylin® linear technology - drylin® W hybrid roller bearings

Lubrication-free roll and slide
and roller bearings

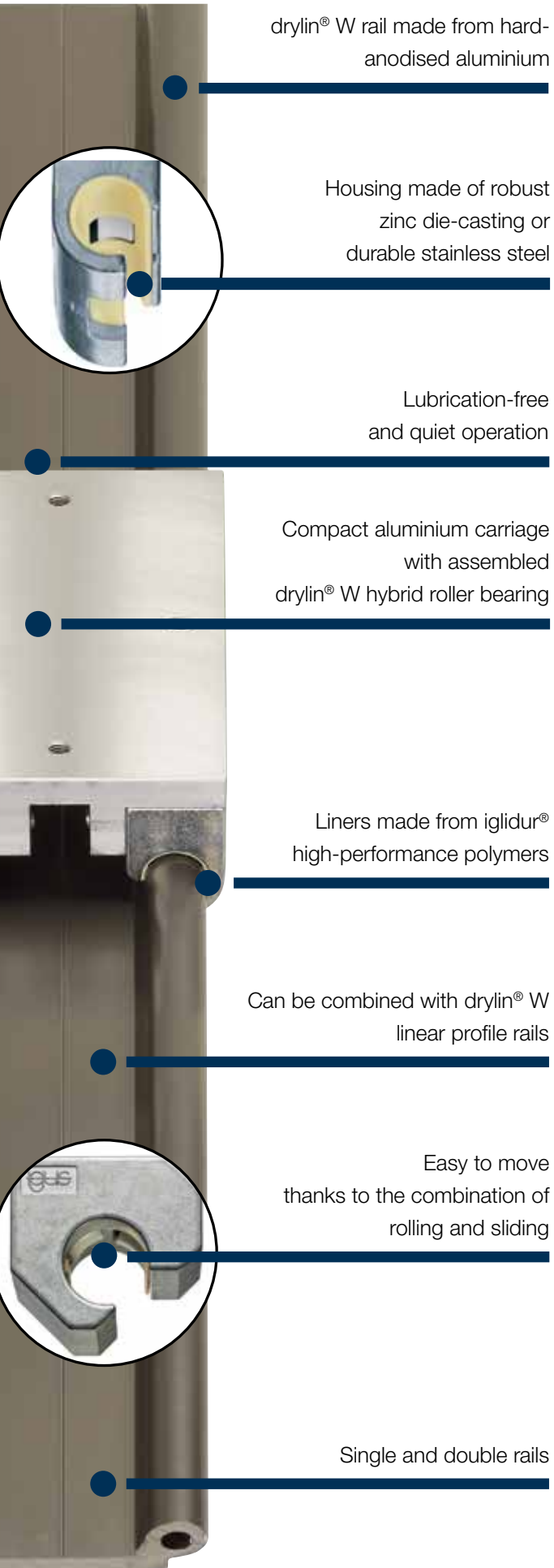
Low drive forces

For manual adjustment

Suitable for radial loads

Single bearings and complete carriages





drylin® W rail made from hard-anodised aluminium

Housing made of robust zinc die-casting or durable stainless steel

Lubrication-free and quiet operation

Compact aluminium carriage with assembled drylin® W hybrid roller bearing

Liners made from iglidur® high-performance polymers

Can be combined with drylin® W linear profile rails

Easy to move thanks to the combination of rolling and sliding

Single and double rails

Combined sliding and rolling for low driving forces

drylin® hybrid roller bearings offer an unique lubrication-free combination of plain and roller bearings. The integrated rollers achieve low drive forces, while the sliding effect simultaneously protect against radial loads. This makes drylin® hybrid roller bearings ideal for manual adjustments in door applications (e.g. machine doors, safety doors), but also in mobile control panels. The efficient design using plastics with zinc die-casting also cuts costs. Hybrid bearings can be used on various hard-anodised aluminium profiles from the drylin® W linear system.

- Smooth operation
- Low-profile
- Offset and abuse forces are easily absorbed by sliding elements
- Location on rail ensures reliability
- Matching guide rails made from hard-anodised aluminium
- Low drive force required
- Cost-effective

Typical application areas

- Machine doors
- Safety doors
- Operator panels

- Available from stock**
Detailed information about delivery time online.
- Price breaks online**
No minimum order value. No minimum order quantity
- Service life calculation**
▶ www.igus.eu/drylin-expert
- Tightening torque for drylin® metallic screws**
▶ Page 50

Slide and roll



Hybrid roller bearing rails

- Ideal for flat structures
 - Geometry optimised for hybrid roller bearings
 - Low profile design with wide support
- ▶ Page 112



Hybrid roller bearings with single roller/tandem roller

- Lubrication-free due to bearing supported plastic roller
 - Low drive forces
 - Can be combined with drylin® W single and double rails
- ▶ Page 114



Complete carriages WWR

- Complete carriage for lateral adjustments
 - Guidance via a double rail without support
 - Also available as a short, compact carriage for variable multi-carriage solution
- ▶ Page 119



Suitable rail profiles
▶ From page 66



Hybrid roller bearings for WSR roller bearing rails

- Suitable for WAS hybrid roller bearing rails
 - Hybrid roller bearing with double rollers for better force absorption
 - Hybrid roller bearings with single rollers as support
- ▶ Page 113



Hybrid roller bearings with double rollers

- Low coefficient of rolling friction is still maintained with deviating load directions
 - Increased load capacity
 - Variable bearing removed, but the housing is now available in corrosion-resistant stainless steel as well.
- ▶ Page 115



Complete carriages WWH

- Complete carriage with 4 integrated hybrid roller bearings
 - For horizontal installation
 - Variable carriage lengths and widths
- ▶ Page 120



Camera slider
▶ From page 105



Machine tools

The smooth, quiet operation and the enormous cost advantages are obtained by the use of the drylin® linear bearings on the hard-anodised guide shaft to guide the doors of machine tools.

Control panel unit

Lightweight due to the use of plastic and aluminium with a corrosion-free coating, the guides in the drylin® range impress with their quiet and precise running.



Camera adjustment

Lightweight due to the use of plastic and aluminium with a corrosion-free coating, the guides in the drylin® range impress with their quiet and precise running.

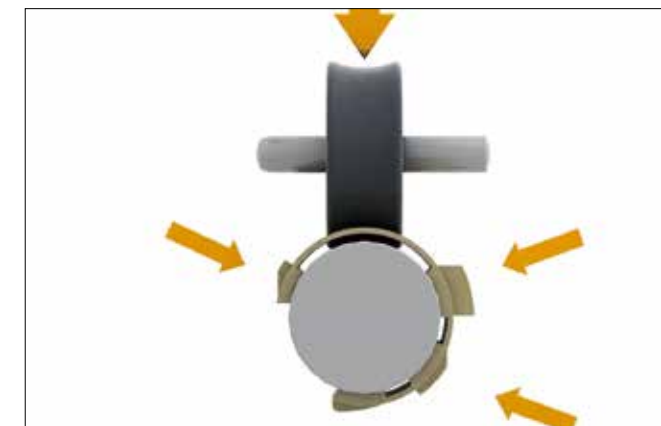


drylin® W hybrid roller bearings type 01

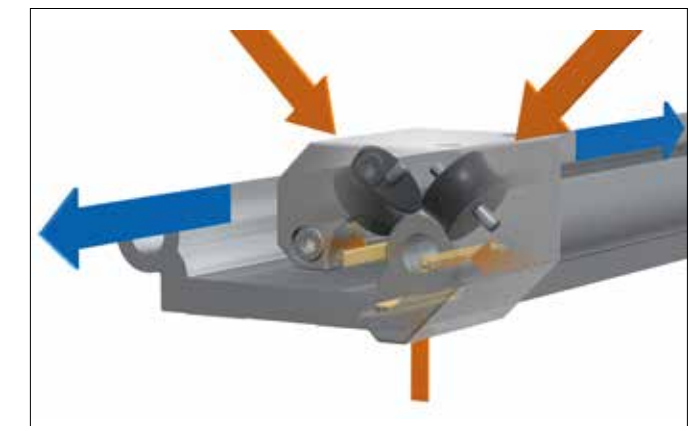
The drylin® W hybrid roller bearings from the WJRM-01-... type series are each equipped with a bearing-supported plastic roller. The bearing housing is available in three installation sizes and can be used with drylin® W single or double shaft rails in two installation positions. The hybrid roller bearing should be installed so that the load capacity is applied in the roll direction. Different load directions are possible but causes higher displacement forces.

drylin® W hybrid roller bearings type 21

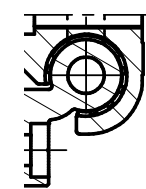
The drylin® W hybrid roller bearings in the WJRM-21-... type series are each equipped with two bearing-supported plastic rollers at an angle of 70° or 80°. Available in three installation sizes, they can be combined with drylin® W single and double rails. The double roller bearings offer a higher load capacity than with a vertical bearing load on the installation area (y-direction). The low coefficient of rolling friction is still maintained with load directions that slightly deviate from this.



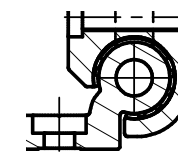
Forces absorbed by hybrid roller bearing



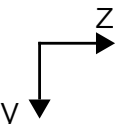
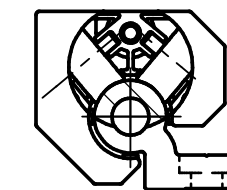
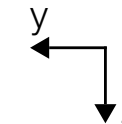
Hybrid double roller bearing applicable force absorption



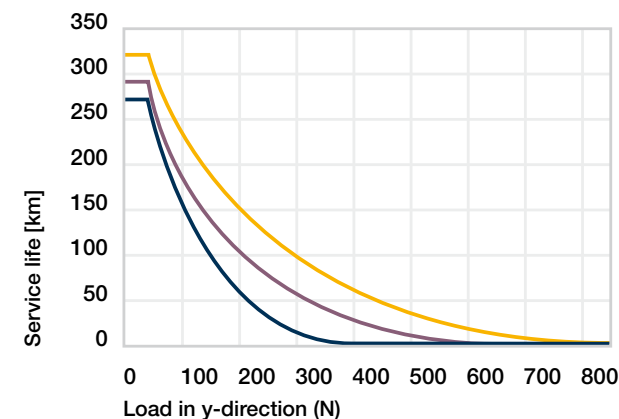
Installation position 01



Installation position 02

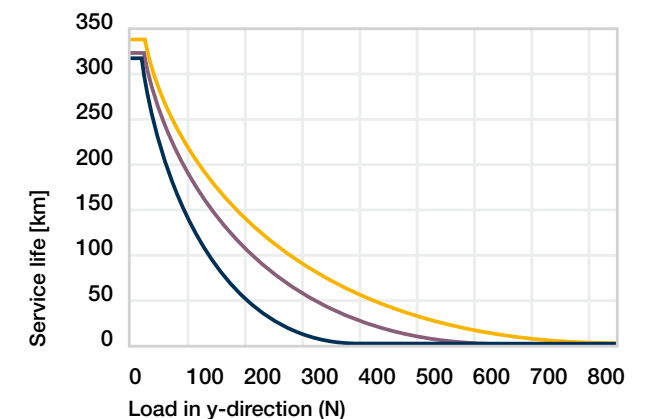


Installation position WJRM-01-...

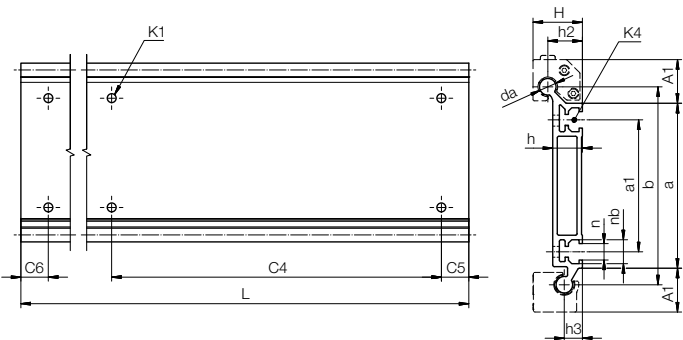


■ WJRM-01-10 ■ WJRM-01-16 ■ WJRM-01-20

Installation position WJRM-21-...



■ WJRM-21-10 ■ WJRM-21-16 ■ WJRM-21-20



Order key

Type	Size
------	------

WSR-10-120-4000

Hybrid roller bearing rail	Shaft Ø	Rail width [mm]	Rail length [mm]
----------------------------	---------	-----------------	------------------

Technical data and dimensions [mm]

Part No.	Geometrical moment of inertia		Moment of resistance		K1 for screw	K4 for slot nut	Weight [kg/m]
	ly	lz	Wby	Wbz			
	[mm ⁴]	[mm ⁴]	[mm ³]	[mm ³]			
WSR-10-120	1,443,000	38,700	22,000	2,600	M6	-	2.58
WSR-10-120-UNGEBOHRT	1,443,000	38,700	22,000	2,600	-	MSX-B-0001-M6	2.58

Part No.	H	da	L	a	A1	b	h	h2	h3	a1	n	nb	C4	C5 = C6
	±0.25	-0.1	max.	±0.6									min.	max.
WSR-10-120	30	10	4,000	100	26.5	120	18	21	11	80	10	14.5	240	20 199.5
WSR-10-120-UNGEBOHRT	30	10	4,000	100	26.5	120	18	21	11	80	10	14.5	-	-

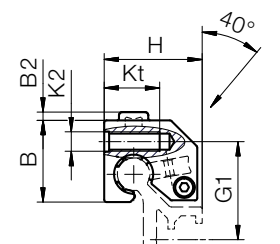
End caps for roller bearing rails ▶ Page 128



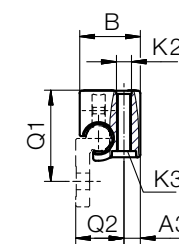
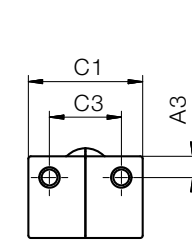
WJRM-31-10



WJRM-41-10



WJRM-41



WJRM-31
Installation
position 01

Order key

Type	Size	Option
------	------	--------

WJRM-31- 10 -BB

Hybrid roller bearings	Double roller bearing	Size 10	Ball bearing
------------------------	-----------------------	---------	--------------

Options:

31: Single roller bearing, bottom assembly for better support

41: Double roller bearing, top assembly for better force absorption

BB: Ball bearing supported plastic roller

Suitable mounting plate
▶ Page 122

Technical data [mm]

Part No.	Stat. load capacity Co [N]	Dyn. load capacity Cz+ at total running distance [km]				Coefficient of friction in z-direction [μ]	F · v max. [N · m/s]	Weight [g]
		10	100	200	200			
		[N]	[N]	[N]	[N]			
WJRM-31-10	250	250	90	50	< 0.1	50	91	
WJRM-41-10	250	250	90	50	< 0.1	50	97	
WJRM-31-10-BB New	250	250	90	50	< 0.03	100	85	
WJRM-41-10-BB New	250-350	250-350	90-125	50-70	< 0.03	50	91	

Dimensions [mm]

Part No.	A3	B	B2	C1	C3	H	G1	K2 for thread	K3 for screw	Q1	Q2	kt
WJRM-31-10	6.5	24	-	35	22	28	27	M6	M5	36	19	16
WJRM-41-10	6.5	25	2.5	35	22	30	30	M6	M5	-	-	-
WJRM-31-10-BB New	6.5	24	-	35	22	28	27	M6	M5	36	19	-
WJRM-41-10-BB New	6.5	25	2.5	35	22	30	30	M6	M5	-	-	16

Can be combined with:



WSR-...



Order key

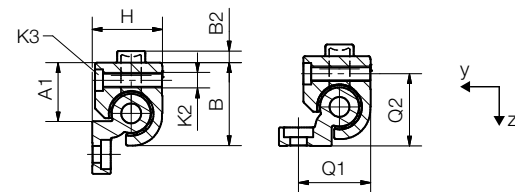
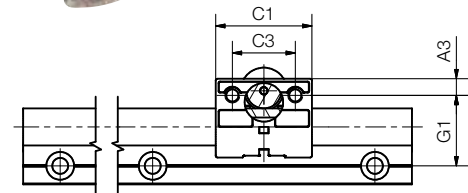
Type	Size
------	------

WJRM-01-10

Hybrid roller bearings	With single roller	Size 10	Options:
			Blank: Bearing supported plastic roller BB: Ball bearing supported plastic roller

Suitable mounting plate
▶ Page 122

Installation position 02 in installation size Ø10 when using a WJRM-02-10 hybrid roller bearing



Installation position 01

Installation position 02

Technical data and dimensions [mm]

Part No.	Stat. load capacity	Dyn. load capacity C_{y+} at total running distance [km]			$F \cdot v$ max.	Weight [g]
	C_o [N]	10 [N]	100 [N]	200 [N]		
WJRM-01-10 ⁷¹⁾	250	250	90	50	50	46
WJRM-01-10-BB ⁷¹⁾	250	250	90	50	100	46
WJRM-01-16	400	400	140	70	80	131
WJRM-01-16-BB	400	400	140	70	160	131
WJRM-01-20	550	550	200	100	80	232
WJRM-01-20-BB	550	550	200	100	160	232

Part No.	Coefficient of friction in z-direction [μ]	A1	A3	B	B2	C1	C3	G1	H	K2 for thread	K3 for screw	Q1	Q2
WJRM-01-10-BB ⁷¹⁾	< 0.03	16.5	6.5	26.0	2.5	35	22	27	18	M6	M5	-	-
WJRM-01-16	< 0.10	25.0	9.0	34.5	5.0	48	30	33	27	M8	M6	32	28
WJRM-01-16-BB	< 0.03	25.0	9.0	34.5	5.0	48	30	33	27	M8	M6	32	28
WJRM-01-20	< 0.10	30.0	9.0	42.5	6.0	52	34	38	36	M8	M6	37	37
WJRM-01-20-BB	< 0.03	30.0	9.0	42.5	6.0	52	34	38	36	M8	M6	37	37

⁷¹⁾ Deviating from WJRM-02-10, available with an expanded opening angle for installation position 02

Can be combined with:



Order key

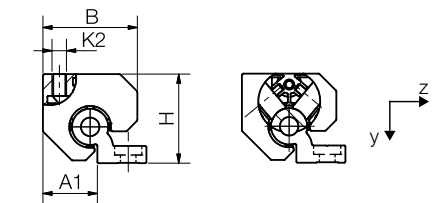
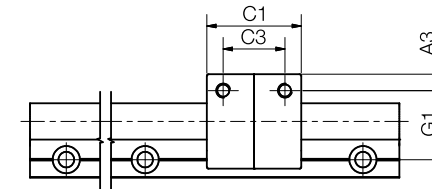
Type	Size
------	------

WJRM-21-10

Hybrid roller bearings	Double roller bearing	Size 10	Options:
			Blank: Bearing supported plastic roller BB: Ball bearing supported plastic roller

Suitable mounting plate
▶ Page 122

Optional with manual clamp, suffix "-HKA"



Technical data and dimensions [mm]

Part No.	Stat. load capacity	Dyn. load capacity C_{z+} at total running distance [km]			$F \cdot v$ max.	Weight [g]
	C_o [N]	10 [N]	100 [N]	200 [N]		
WJRM-21-10	350	350	125	70	50	115
WJRM-21-10-BB	350	350	125	70	100	115
WJRM-21-16	600	600	210	105	80	250
WJRM-21-16-BB	600	600	210	105	160	250
WJRM-21-20	840	840	300	150	80	320
WJRM-21-20-BB	840	840	300	150	160	320

Part No.	Coefficient of friction in y-direction [μ]	A1	A3	B	C1	C3	G1	H	K2 for screw
WJRM-21-10-BB	< 0.03	16.5	6.5	31	35	22	27	28	M6
WJRM-21-16	< 0.10	25.0	9.0	44	48	30	33	41	M8
WJRM-21-16-BB	< 0.03	25.0	9.0	44	48	30	33	41	M8
WJRM-21-20	< 0.10	30.0	9.0	52	52	34	38	49	M8
WJRM-21-20-BB	< 0.03	30.0	9.0	52	52	34	38	49	M8

WJRM-21-10 and WJRM-21-16: 70° angle between the rollers / WJRM-21-20: 80° angle between the rollers

Can be combined with:

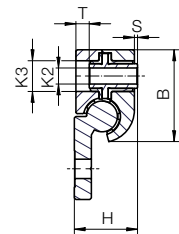
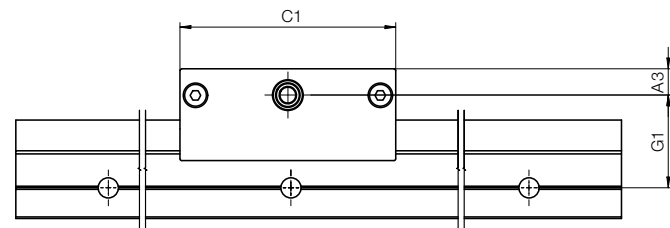


Hybrid roller bearings with two rollers

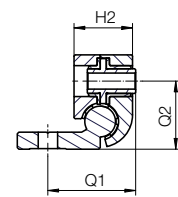


Order key

Type	Size	Material
Hybrid roller bearings	With double roller	Size 10
Material AL: Aluminium		



Installation position 01



Installation position 02

Technical data and dimensions [mm]

Part No.	Stat. load capacity	Dyn. load capacity Cy+			F · v max. [N · m/s]	Weight [g]
	Co [N]	at total running distance [km]				
		10	100	200		
WJRM-51-10-AL New	500	500	180	100	50	70
WJRM-51-16-AL New	800	800	280	140	80	123
WJRM-51-20-AL New	1,100	1,100	400	200	80	215

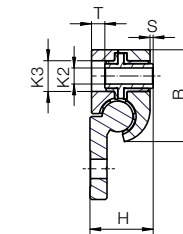
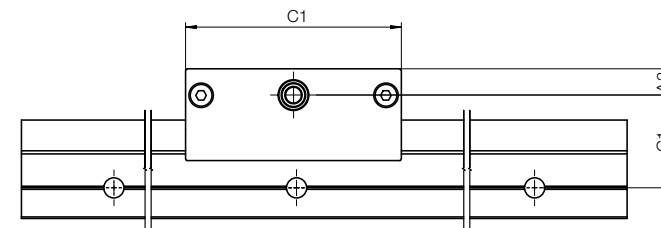
Part No.	Coefficient of friction in z-direction [μ]	A3	B	C1	G1	S	H	H2	T	K2	K3	Q1	Q2
										∅	∅		
WJRM-51-10-AL New	< 0.10	8.5	29.8	70	30.1	1	20.5	19.0	4.3	5.2	10	28.5	22.1
WJRM-51-16-AL New	< 0.10	9.5	39.5	85	37.5	1	27.5	25.0	7.0	6.2	12	31.5	32.5
WJRM-51-20-AL New	< 0.10	11.0	48.5	100	42.0	1	36.0	34.5	14.0	8.2	17	37.0	41.0

Tandem roller bearings with ball bearings

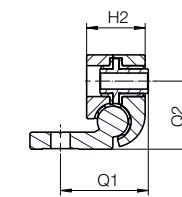


Order key

Type	Size	Material
Hybrid roller bearings	With double roller	Size 10
Roller with ball bearing		
Material AL: Aluminium		



Installation position 01



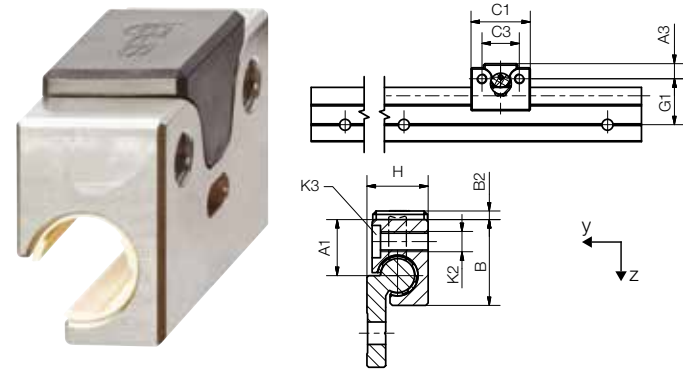
Installation position 02

Technical data and dimensions [mm]

Part No.	Stat. load capacity	Dyn. load capacity Cy+			F · v max. [N · m/s]	Weight [g]
	Co [N]	at total running distance [km]				
		10	100	200		
WJRM-51-10-BB-AL New	500	500	180	100	50	70
WJRM-51-16-BB-AL New	800	800	280	140	80	123
WJRM-51-20-BB-AL New	1,100	1,100	400	200	80	215

Part No.	Coefficient of friction in y-direction [μ]	A3	B	C1	G1	S	H	H2	T	K2	K3	Q1	Q2
										∅	∅		
WJRM-51-10-BB-AL New	< 0.03	8.5	29.8	70	30.1	1	20.5	19.0	4.3	5.2	10	28.5	22.1
WJRM-51-16-BB-AL New	< 0.03	9.5	39.5	85	37.5	1	27.5	25.0	7.0	6.2	12	31.5	32.5
WJRM-51-20-BB-AL New	< 0.03	11.0	48.5	100	42.0	1	36.0	34.5	14.0	8.2	17	37.0	41.0

WJRM-01 with single roller



Order key

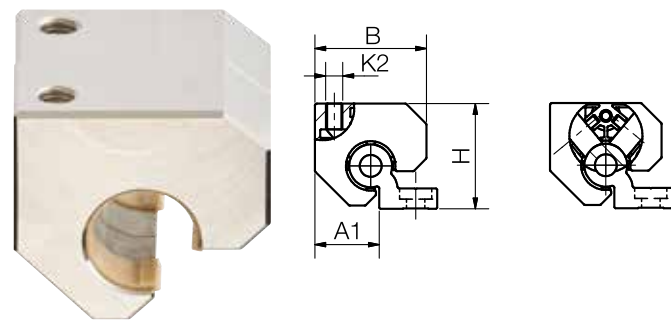
Type	Size	Material
Hybrid roller bearings	With single roller	Stainless steel
WJRM-01- 10 -ES		
Material		
ES: Stainless steel 1.4571 (AISI 316Ti)		
ES-FG: Stainless steel precision casting AISI 316		
AL: Aluminium		

Technical data and dimensions [mm]

Part No.	Stat. load capacity		Dyn. load capacity Cz+ at total running distance [km]				F · v
	Co [N]	Co [N]	10 [N]	100 [N]	200 [N]	max. [N · m/s]	
WJRM-01-10-ES-FG	250	250	90	50	50		
WJRM-01-10-AL	250	250	90	50	50		

Part No.	Coefficient of friction in z-direction y-direction		Weight [g]	A1	A3	B	B2	C1	C3	G1	H	K2	K3 for screw
	[μ]	[μ]											
WJRM-01-10-ES-FG	< 0.1	-	57	16.5	6.5	26	2.5	35	22	22	18	M6	M5
WJRM-01-10-AL	< 0.1	-	18	16.5	6.5	26	2.5	35	22	22	18	M6	M5

WJRM-21 with double roller



Order key

Type	Size	Material
Hybrid roller bearings	Double roller bearing	Stainless steel
WJRM-21- 20 -ES		
Material		
ES: Stainless steel 1.4571 (AISI 316Ti)		
ES-FG: Stainless steel precision casting AISI 316		

Technical data and dimensions [mm]

Part No.	Stat. load capacity		Dyn. load capacity Cz+ at total running distance [km]				F · v
	Co [N]	Co [N]	10 [N]	100 [N]	200 [N]	max. [N · m/s]	
WJRM-21-20-ES-FG	840	840	300	150	80		

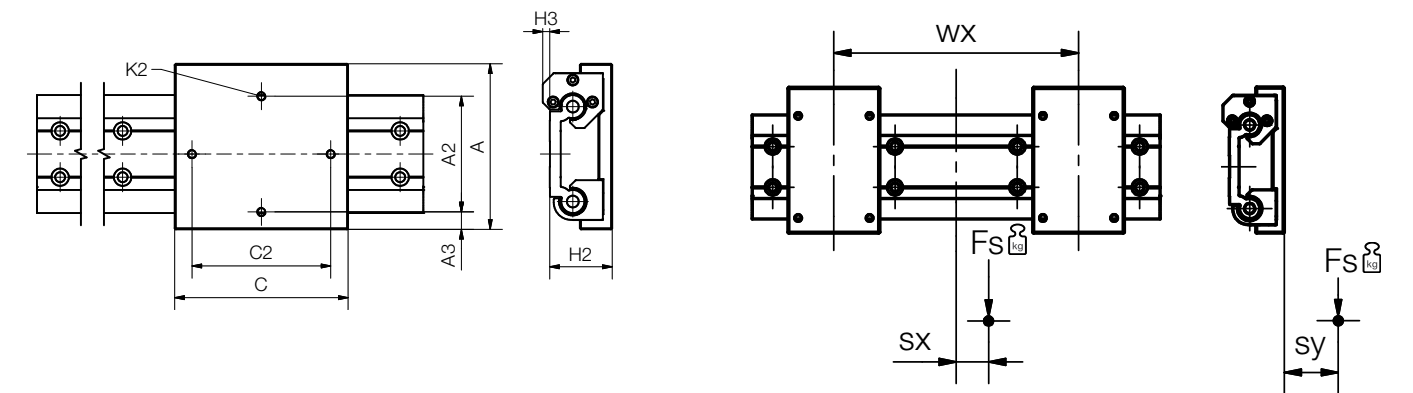
Part No.	Coefficient of friction in z-direction y-direction		Weight [g]	A1	A3	B	C1	C3	G1	H	K2	K3 for screw
	[μ]	[μ]										
WJRM-21-20-ES-FG	-	< 0.1	504	30	9	52	52	34	38	49	M8	M5



Order key

Type	Size	Option
drylin® W	Hybrid carriage	Compact
WWR-21- 80 - 01		
Double roller bearing		
Installation size		

Options:
01: Carriage, short design
15: Carriage, long design



Technical data and dimensions [mm]

Part No.	A	C	A2	C2	K2	H2	A3	H3	sx min.	sx max.	sy min.	sy max.
	Width	Length			±0.17							
WWR-21-80-01	143	90	100	70	M8	54	15	6	-49	+49	-34	+34
WWR-21-80-15	143	150	100	120	M8	54	15	6	-wx/2	+wx/2	-34	+34

Order example:

WWR-21-80-01 = Assembled single hybrid carriage as a "door opener" with two single roller hybrid bearings and two double roller hybrid bearings

Can be combined with:



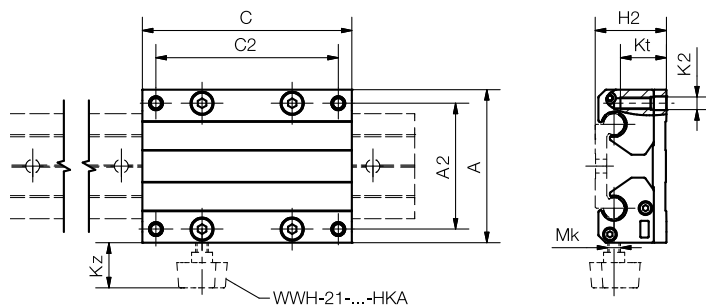


Order key

Type	Dimensions
------	------------

WWH-21-10-40-10

drylin® W	Hybrid carriage	Double roller bearing	Installation size	Carriage length [mm]
-----------	-----------------	-----------------------	-------------------	----------------------



i Optional with manual clamp, suffix "-HKA"

Technical data and dimensions [mm]

Part No.	Weight [kg]	Width		A2	C2	K2	Kt	H2	Stat. load capacity Coy [N]
		A	C						
WWH-21-10-40-10	0.59	73	100	60	87	M6	21	34	1,400
WWH-21-10-40-15	0.64	73	150	60	137	M6	21	34	1,400
WWH-21-10-40-20	0.70	73	200	60	187	M6	21	34	1,400
WWH-21-10-80-10	0.64	107	100	94	87	M6	21	34	1,400
WWH-21-10-80-15	0.72	107	150	94	137	M6	21	34	1,400
WWH-21-10-80-20	0.80	107	200	94	187	M6	21	34	1,400
WWH-21-10-120-10	0.71	153	100	140	87	M6	21	34	1,400
WWH-21-10-120-15	0.84	153	150	140	137	M6	21	34	1,400
WWH-21-10-120-20	0.96	153	200	140	187	M6	21	34	1,400
WWH-21-16-60-10	1.31	104	100	86	82	M8	29	49	2,400
WWH-21-16-60-15	1.44	104	150	86	132	M8	29	49	2,400
WWH-21-16-60-20	1.57	104	200	86	182	M8	29	49	2,400
WWH-21-16-120-15 New	1.58	166	150	148	132	M8	29	49	2,400
WWH-21-16-120-20 New	1.76	166	200	148	182	M8	29	49	2,400
WWH-21-16-120-25 New	1.93	166	250	148	232	M8	29	49	2,400
WWH-21-20-80-15	1.72	134	150	116	132	M8	24	57	3,360
WWH-21-20-80-20	1.82	134	200	116	182	M8	24	57	3,360
WWH-21-20-80-25	2.02	134	250	116	232	M8	24	57	3,360

Can be combined with:

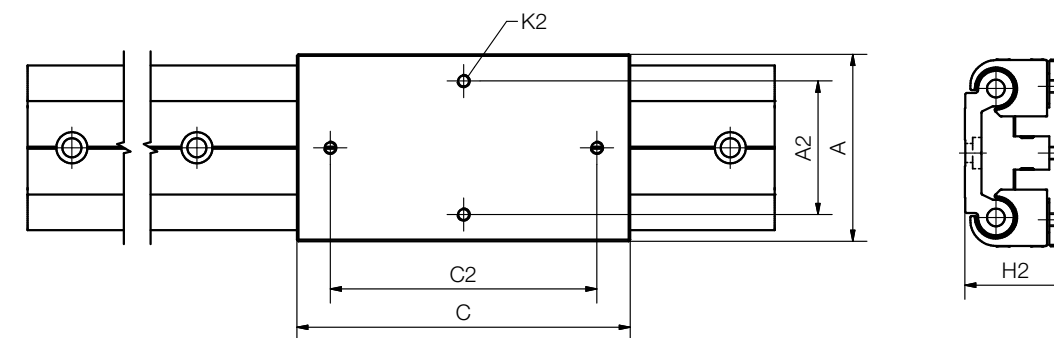


Order key

Type	Dimensions
------	------------

WWH-10-40-10

drylin® W	Hybrid carriage	Installation size	Carriage length [mm]
-----------	-----------------	-------------------	----------------------



Technical data and dimensions [mm]

Part No.	Weight [kg]	A	A2	C	C2	K2	H2	Static load capacity					
								Coy [N]	Coz [N]	Mox [Nm]	Moy [Nm]	Moz [Nm]	
WWH-10-40-10	0.35	58	40	100	80	M5	34	±0.17	1,000	1,000	20	16	32
WWH-16-60-15	0.96	84	60	150	120	M6	46		1,600	1,600	45	38	77
WWH-20-80-25	1.78	114	90	250	220	M6	55		2,200	2,200	90	435	435

Can be combined with:



drylin® W hybrid roller bearings | Product range

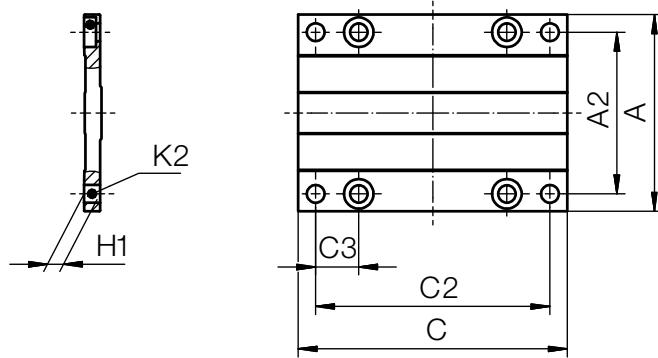
Carriage plates for drylin® W hybrid roller bearings



With four pillow blocks and the mounting plate, a linear carriage can be installed in less than a minute. Mounting plates are available in 3 lengths in each installation size and width.

- Robust corrosion-resistant anodised aluminium
- A variety of combinations of liners/bearings/slide plates are possible, also with manual clamp
- Required combination bearing and mounting plate also available pre-assembled

i **Modular system:**
Can be combined with the complete drylin® linear bearing product range. 4 screws included in delivery.

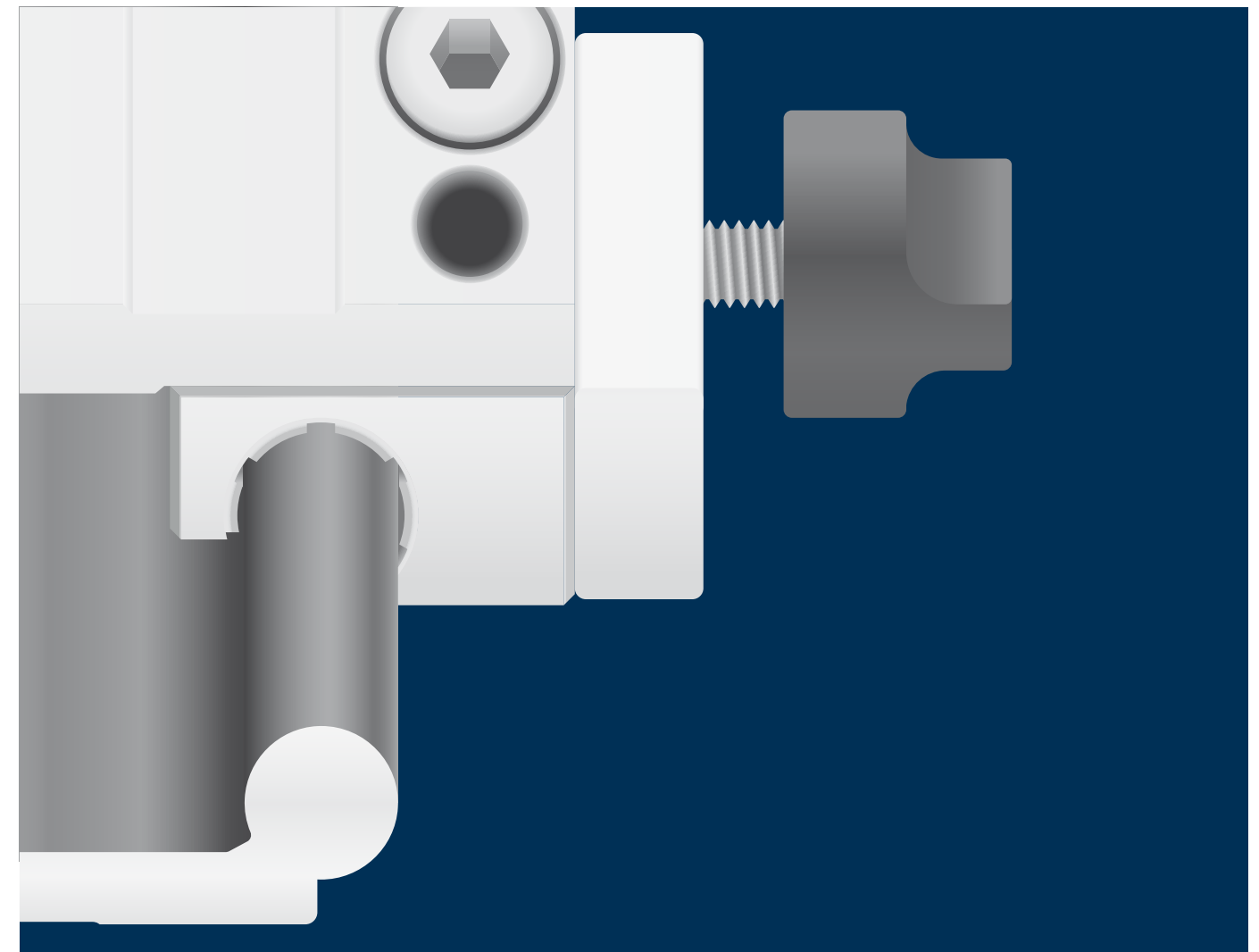


Technical data and dimensions [mm]

Part No.	C	C3	A	H1	A2	K2	Mounting screws included
WWYR-10-30-08-AL	80	22	63	6.5	50	M6	M6
WWYR-10-30-10-AL	100	22	63	6.5	50	M6	M6
WWYR-10-30-15-AL	150	22	63	6.5	50	M6	M6
WWYR-10-40-10-AL	100	22	73	6.5	60	M6	M6
WWYR-10-40-15-AL	150	22	73	6.5	60	M6	M6
WWYR-10-40-20-AL	200	22	73	6.5	60	M6	M6
WWYR-10-80-10-AL	100	22	107	6.5	94	M6	M6
WWYR-10-80-15-AL	150	22	107	6.5	94	M6	M6
WWYR-10-80-20-AL	200	22	107	6.5	94	M6	M6
WWYR-10-120-10-AL	100	22	153	6.5	140	M6	M6
WWYR-10-120-15-AL	150	22	153	6.5	140	M6	M6
WWYR-10-120-20-AL	200	22	153	6.5	140	M6	M6
WWYR-16-60-10-AL	100	30	104	8.5	86	M8	M8
WWYR-16-60-15-AL	150	30	104	8.5	86	M8	M8
WWYR-16-60-20-AL	200	30	104	8.5	86	M8	M8
WWYR-20-80-15-AL	150	34	134	8.5	116	M8	M8
WWYR-20-80-20-AL	200	34	134	8.5	116	M8	M8
WWYR-20-80-25-AL	250	34	134	8.5	116	M8	M8

Suitable for rails ► Page 84, 86, 112

Suitable for bearings ► Page 113, 114, 115, 118



drylin® linear technology - accessories

Manual clamps

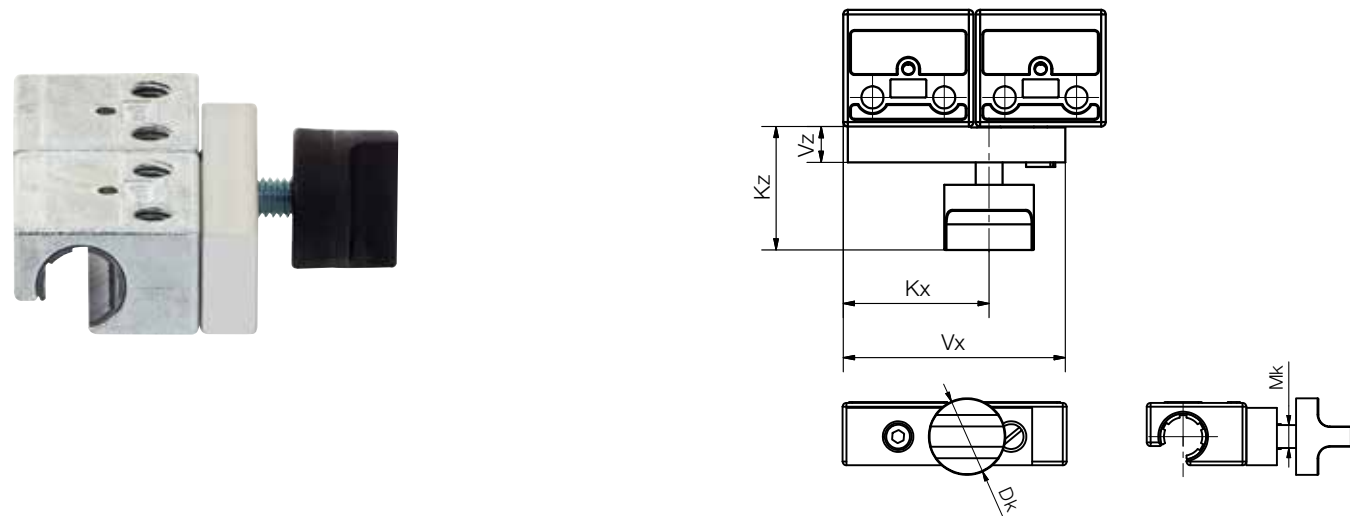
Liners

End caps

Slot nuts

Clamps





Technical data and dimensions [mm]

Part No.	Mk	Vx	Kx	Vz	Kz	Dk	Min. holding force ⁶⁷⁾	Min. tightening torque
WHKA-10 ⁶⁶⁾	M6	50	33	8	28	20	30N	0.8 Nm
WHKA-16 ⁶⁶⁾	M8	72	41	10	31	28	60 N	1.5 Nm
WHKA-20 ⁶⁶⁾	M8	90	62	10	31	28	70 N	1.5 Nm
WHKA-25 ⁶⁶⁾	M8	96	65	12	31	28	70 N	1.5 Nm

⁶⁷⁾ Condition: dry rail surface

⁶⁶⁾ The manual clamp is also available assembled as a complete carriage (suffix "-HKA", order example: WW-10-40-10-HKA). Dimensions complete carriage WWQ ► Page 88

Accessories: Aluminium manual clamp

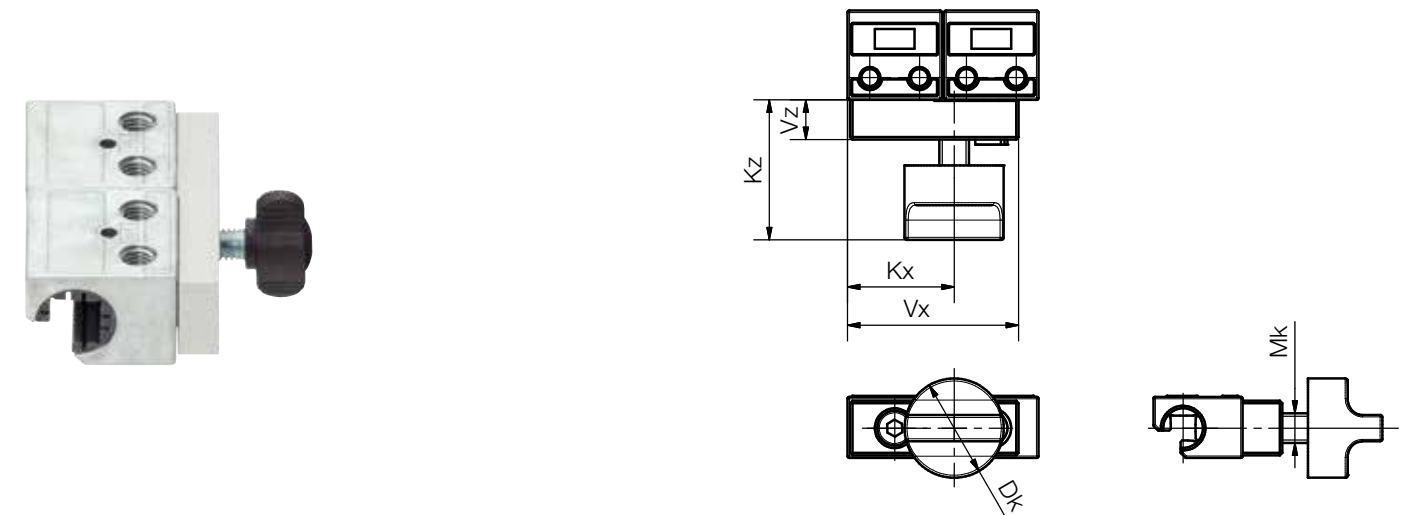


Technical data and dimensions [mm]

Part No.	Mk	Vx	Kx	Vz	Kz	Dk	Min. holding force ⁶⁷⁾	Min. tightening torque
WHKA-10-AL ⁶⁸⁾	M6	50	33	8	28	20	30N	0.8 Nm
WHKA-16-AL ⁶⁸⁾	M8	72	41	10	31	28	60 N	1.5 Nm
WHKA-20-AL ⁶⁸⁾	M8	90	62	10	31	28	70 N	1.5 Nm
WHKA-25-AL ⁶⁸⁾	M8	96	65	12	31	28	70 N	1.5 Nm

⁶⁷⁾ Condition: dry rail surface

⁶⁸⁾ The manual clamp is also available assembled as a complete carriage (suffix "AL-HKA", order example: WW-10-40-10-AL-HKA). Dimensions complete carriage WWQ ► Page 88



Technical data and dimensions [mm]

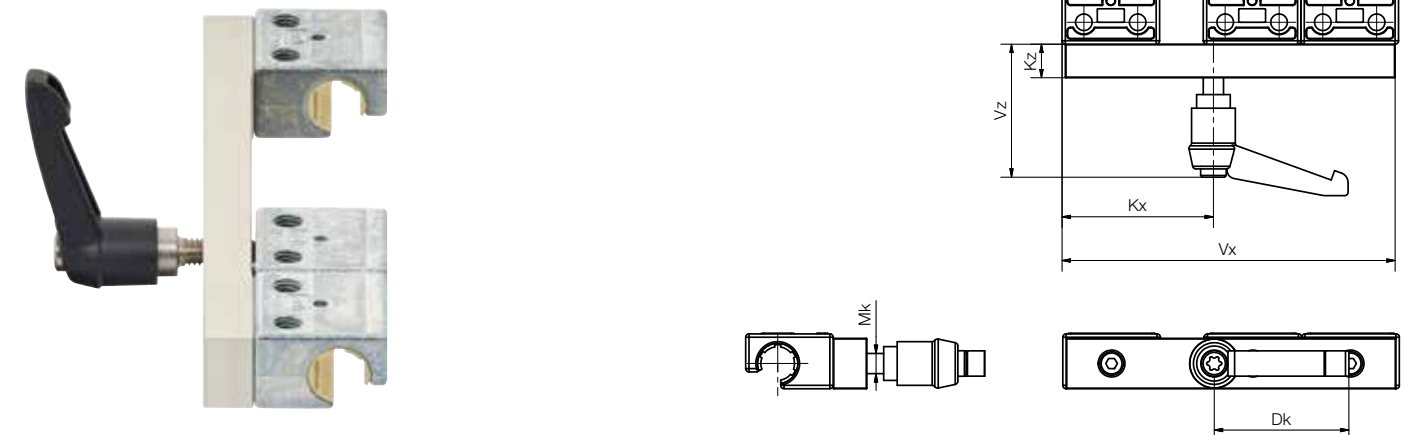
Part No.	Mk	Vx	Kx	Vz	Kz	Dk	Min. holding force ⁶⁷⁾	Min. tightening torque
WHKAQ-06 ¹³³⁾ ¹³⁷⁾	M6	34.5	21.5	8	28	20	30N	0.8 Nm
WHKAQ-10 ¹³⁷⁾	M6	50	33	8	28	20	30N	0.8 Nm
WHKAQ-16 ¹³⁷⁾	M8	72	41	10	31	28	60 N	1.5 Nm
WHKAQ-20 ¹³⁷⁾	M8	90	62	10	31	28	70 N	1.5 Nm

⁶⁷⁾ Condition: dry rail surface

¹³³⁾ Aluminium version available, suffix "-AL"

¹³⁷⁾ The manual clamp is also available assembled as a complete carriage (suffix "-HKAQ", order example: WW-06-30-06-HKAQ). Dimensions complete carriage WWQ ► Page 82

Accessories: Manual clamp for higher holding forces



Technical data and dimensions [mm]

Part No.	Mk	Vx	Kx	Vz	Kz	Dk	Min. holding force ⁶⁷⁾	Min. tightening torque
WHKD-1010 ⁶⁹⁾	M6	100	45	40	10	40	70 N	2.5 Nm
WHKD-1015 ⁶⁹⁾	M6	150	95	40	10	40	70 N	2.5 Nm
WHKD-1615 ⁶⁹⁾	M8	150	81	40	12	40	90 N	3.5Nm
WHKD-1620 ⁶⁹⁾	M8	200	131	40	12	40	90 N	3.5Nm
WHKD-2015 ⁶⁹⁾	M8	150	63	40	12	40	90 N	3.5Nm
WHKD-2020 ⁶⁹⁾	M8	200	113	40	12	40	90 N	3.5Nm

⁶⁷⁾ Condition: dry rail surface

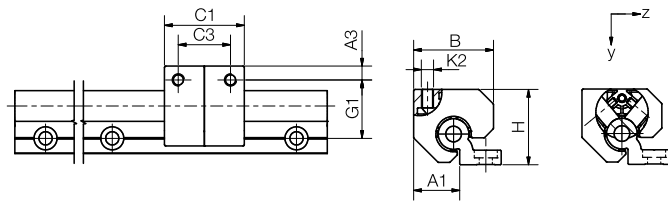
⁶⁹⁾ The manual clamp is also available assembled as a complete carriage (suffix "-HKD", order example: WW-10-40-10-HKD). Dimensions complete carriage WWQ ► Page 88



Type	Size	Material
------	------	----------

WJRM-21- 10 -HKA

Hybrid roller bearings	Double roller bearing	Size 10	Material
			ES: Stainless steel 1.4571 (AISI 316Ti)
			ES-FG: Stainless steel precision casting AISI 316
			AL: Aluminium



Technical data and dimensions [mm]

Part No.	Weight [g]	A1	A3	B	C1	C3	G1	H	K2 for screw	Kz max.
WJRM-21-10-HKA	115	16.5	6.5	31	35	22	27	28	M6	25
WJRM-21-16-HKA	250	25	9	44	48	30	32	41	M8	25
WJRM-21-20-HKA	320	30	9	52	52	34	38	49	M8	25

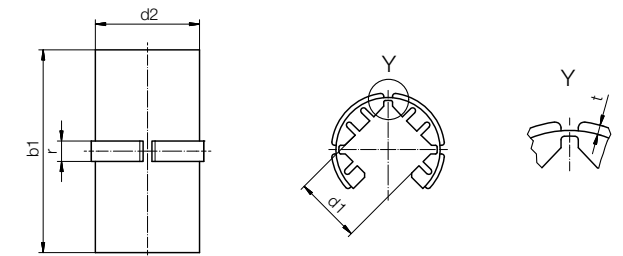
drylin® W plastic liners - long, open design



Size	Material	Pillow blocks	Part No. Liners	in the drylin® R chapter
10/16/20/25 (standard)	iglidur® J200	WJ200UM-01-Ø WJ200UM-11-Ø	J200UMO-01-Ø ⁷⁰⁾ J200UMO-11-Ø ⁷⁰⁾	► Page 194
10/16/20/25	iglidur® J	WJUM-01-Ø WJUM-11-Ø	JUMO-01-Ø JUMO-11-Ø	► Page 188
10/16/20/25 (High temperature)	iglidur® X	WXUM-01-Ø	XUMO-01-Ø	► Page 199
10/16/20/25	iglidur® E7	WE7UM-01-Ø	E7UMO-01-Ø	► Page 196
10/16/20/25	iglidur® A160	WA160UM-01-Ø	A160UMO-01-Ø	► Page 204
10/16/20/25	iglidur® A180	WA180UM-01-Ø	A180UMO-01-Ø	► Page 202

⁷⁰⁾ Available also as floating bearing, Part No. J200UMO-01-Ø-LL

drylin® W liners - long design, square



Dimensions [mm]

Part No.	d1	d1 tolerance	d2	b1	r	t
J200QM-01-06	5.0	+0.020 +0.080	8	19	3.0	0.5
J200QM-01-10	7.5	+0.020 +0.080	12	28	3.0	0.8
J200QM-01-16	11.5	+0.020 +0.080	18	35	3.0	0.8
J200QM-01-20	15.0	+0.020 +0.080	23	44	3.5	0.8

Available also as floating bearing J200QM-01-Ø-LLZ (z-direction), J200QM-01-Ø-LLY (y-direction)

drylin® W plastic liners - adjustable



Size	Material	Pillow blocks	Part No. Liners
10 (adjustable)	iglidur® J	WJUME-01-10	JUME-01-10
16/20 (adjustable)	iglidur® J200	WJ200UME-01-Ø	J200UME-01-Ø

drylin® W replacement plastic liners



Size	Material	Pillow blocks	Part No. Liners
10	iglidur® J200	WJ200UMA-01-10-AL	J200UMA-01-10
16	iglidur® J200	WJ200UMA-01-16-AL	J200UMA-01-16
20	iglidur® J200	WJ200UMA-01-20-AL	J200UMA-01-20

Replacement kit for WJ200UMA-01-10-AL pillow block

Consisting of

- 4 liners
- 4 housing end caps
- Assembly tool



Part No.:

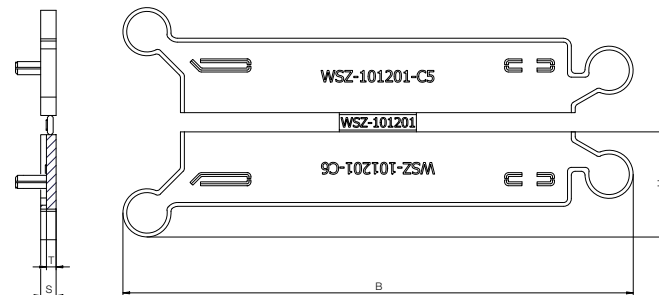
WEKA-01-10-J200

WEKA-01-16-J200

WEKA-01-20-J200



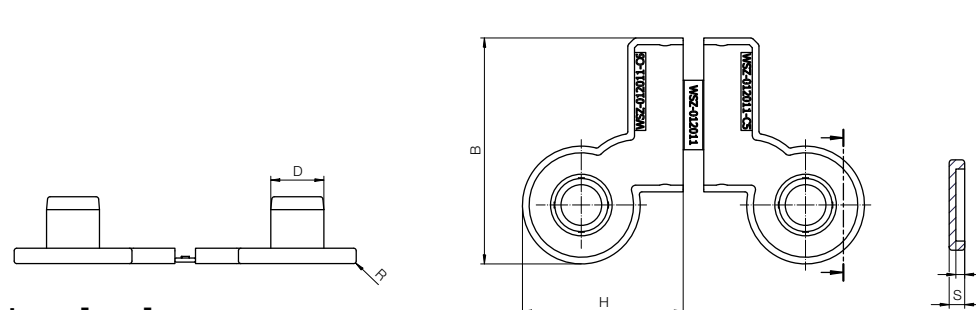
Accessories: Stop ends for drylin® W roller bearing rails **New**



Technical data and dimensions [mm]

Part No.	B	H	S	T	Weight [g]	Suitable for
WSZ-101201-KIT New	132.4	27.3	4.0	2.5	20	WSR-10-120

Accessories: Stop ends for drylin® W single rails **New**



Technical data and dimensions [mm]

Part No.	B	H	D	R	S	T	Suitable for
WSZ-16-KIT New	39.3	23.0	(8.0)	0.3	2.5	1.5	WS-16/WS-16-CA
WSZ-20-KIT New	44.0	31.3	(10.3)	0.5	3.0	1.7	WS-20/WS-20-CA
WSZ-25-KIT New	53.3	39.0	(14.1)	0.5	3.5	2.0	WS-25/WS-25-CA

EN 09/2023



End caps for drylin® high profile rails WSX



- For drylin® W high profile rails WSX
- ▶ **Page 86**
- 4 installation sizes
- Protection of the hollow chambers against the entry of foreign particle
- Easy to fit, easy sideways
- End caps for cutting edges



Part No.:

WSX-063001-EC

WSX-104001-EC

WSX-108001-EC

WSX-166001-EC

Slot nuts for mounting



- Fully adjustable
- Ideal for drylin® limit and reference switches
- Suitable for T-slots of the drylin® WSX high-profile rails
- ▶ **Page 79, 86**
- Secure retention
- Can be retrofitted

Part No.	Suitable for rail profile
NOR-20602	WSX-06-30
NOR-20602	WSX-10-40
NOR-20602	WSX-10-80
NOR-20602	AWMQ-12/20
NOR-20602	WSX-16-60
NOR-20605	WSX-16-60

Clamps for WSX high profile rails

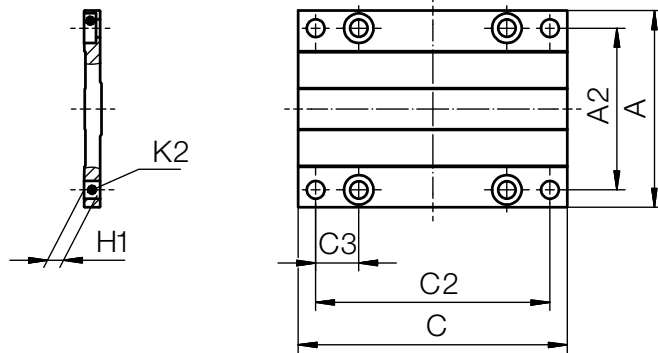


- Secure mounting
- Fully adjustable
- For drylin® SAW linear modules and ZLW toothed belt axes
- For drylin® WSX high-profile rails
- ▶ **Page 79, 86**

Part No.	Suitable for toothed belt axis
ZTZ-063006	ZLW-0630
75.40-ZLW	ZLW-1040
75.40-ZLW	ZLW-1080
75.50-ZLW	ZLW-1660

EN 09/2023





With four pillow blocks and the mounting plate, a linear carriage can be installed in less than a minute. Mounting plates are available in 3 lengths in each installation size and width.

- Robust corrosion-resistant anodised aluminium
- A variety of combinations of liners/bearings/slide plates are possible, also with manual clamp
- Required combination bearing and mounting plate also available pre-assembled

i **Modular system:**
Can be combined with the complete drylin® linear bearing product range. 4 screws included in delivery.

Technical data and dimensions [mm]

Part No.	C	A	H1	A2	K2	Mounting screws included
WWY-06-30-06-AL	60	54	4.0	45	M4	M4
WWY-06-30-08-AL	80	54	4.0	45	M4	M4
WWY-06-30-10-AL	100	54	4.0	45	M4	M4
WWY-06-60-06-AL	60	85	4.0	76	M4	M4
WWY-06-60-08-AL	80	85	4.0	76	M4	M4
WWY-06-60-10-AL	100	85	4.0	76	M4	M4
WWY-10-30-08-AL	80	63	6.5	50	M6	M6
WWY-10-30-10-AL	100	63	6.5	50	M6	M6
WWY-10-30-15-AL	150	63	6.5	50	M6	M6
WWY-10-40-10-AL	100	73	6.5	60	M6	M6
WWY-10-40-15-AL	150	73	6.5	60	M6	M6
WWY-10-40-20-AL	200	73	6.5	60	M6	M6
WWY-10-80-10-AL	100	107	6.5	94	M6	M6
WWY-10-80-15-AL	150	107	6.5	94	M6	M6
WWY-10-80-20-AL	200	107	6.5	94	M6	M6
WWY-10-120-10-AL	100	153	6.5	140	M6	M6
WWY-10-120-15-AL	150	153	6.5	140	M6	M6
WWY-10-120-20-AL	200	153	6.5	140	M6	M6
WWY-16-60-10-AL	100	104	8.5	86	M8	M8
WWY-16-60-15-AL	150	104	8.5	86	M8	M8
WWY-16-60-20-AL	200	104	8.5	86	M8	M8
WWY-20-80-15-AL	150	134	8.5	116	M8	M8
WWY-20-80-20-AL	200	134	8.5	116	M8	M8
WWY-20-80-25-AL	250	134	8.5	116	M8	M8
WWY-25-120-15-AL	150	195	10.0	173	M10	M10
WWY-25-120-20-AL	200	195	10.0	173	M10	M10
WWY-25-120-25-AL	250	195	10.0	173	M10	M10

Suitable for rails ► Page 78, 79, 80, 81, 84, 86

Suitable for bearings ► Page 62, 69, 78, 73, 74



drylin® linear technology - drylin® N low-profile guide systems

Low profile and lightweight

Lubrication-free **dry-tech®** sliding elements

Anodised aluminium rails

High speed and acceleration possible

Quiet operation



Lightweight, maintenance-free, corrosion-resistant


Lubrication-free low-profile linear guides - drylin® N


The low-profile range drylin® N offers extremely low profiles in several widths. Like all drylin® products the carriages run without lubrication in an anodised aluminium profile. The selected materials and the unique design make drylin® N a cost-effective and flexible guide system.

- Low profile between 6 and 12mm
- Lightweight
- Many carriage options - also with pre-load
- Maintenance-free dry operation
- Corrosion-resistant
- Low wear with low coefficient of friction
- Silver or black-anodised rails

Typical application areas

- Agricultural machinery
- Automotive
- Medical technology
- Facade construction
- Packaging industry

 **Available from stock**
Detailed information about delivery time online.

 **Price breaks online**
No minimum order value. No minimum order quantity

 **Max. +90°C**
(+50°C for overmoulded sliding elements)
Min. -40°C

 **17mm - 80mm**

 **Service life calculation**
▶ www.igus.eu/drylin-expert

Low profile due to C-profile geometry

Clear or black anodised aluminium rails

Interchangeable sliding elements as clip version or captive overmoulded sliding surfaces

Lightweight due to the use of plastics and aluminium

Variable carriage lengths

Carriage with threaded or plain hole

Precise due to pre-load

Lubrication-free sliding elements/carriage made from high-performance polymer iglidur® J/J200

Quiet operation through gliding motion

Rails with standard hole pattern Or without holes



Cleanroom certified
IPA Fraunhofer



Free from toxins
2011/65/EU (RoHS)



ESD-compatible
(electrostatic discharge)

EN 09/2023



Numerous options in four different widths for small installation heights



Guide rails

- Four installation sizes: 17, 27, 40 and 80mm
- Low profile, lightweight design
- Clear anodised (silver) or black anodised surfaces

▶ From page 138



Guide carriage - installation size 27

- Carriage with changeable sliding elements
- Sliding carriages with captive overmoulded sliding elements
- Variable lengths and screw on options

▶ Page 141



Guide carriage - installation size 80

- Carriage with wide load-bearing surface
- Lubrication-free due to high-performance polymers iglidur® J/J200
- Low profile design due to threaded holes

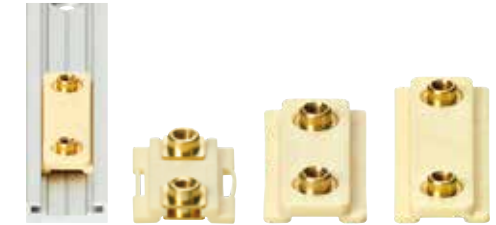
▶ Page 145



Pre-load prism slides

- No rattling and precisely adjustable
- Four pre-load classes
- Guaranteed drive force and holding force
- Extremely lightweight and low-profile

▶ From page 146



Guide carriage - installation size 17

- Solid plastic made from high-performance polymer iglidur® J
- Compact for the smallest installation spaces
- Length of carriage up to 40mm

▶ Page 139



Guide carriage - installation size 40

- Carriage with thread pin or plain hole
- Pre-load version available

▶ Page 143



Telescopic system

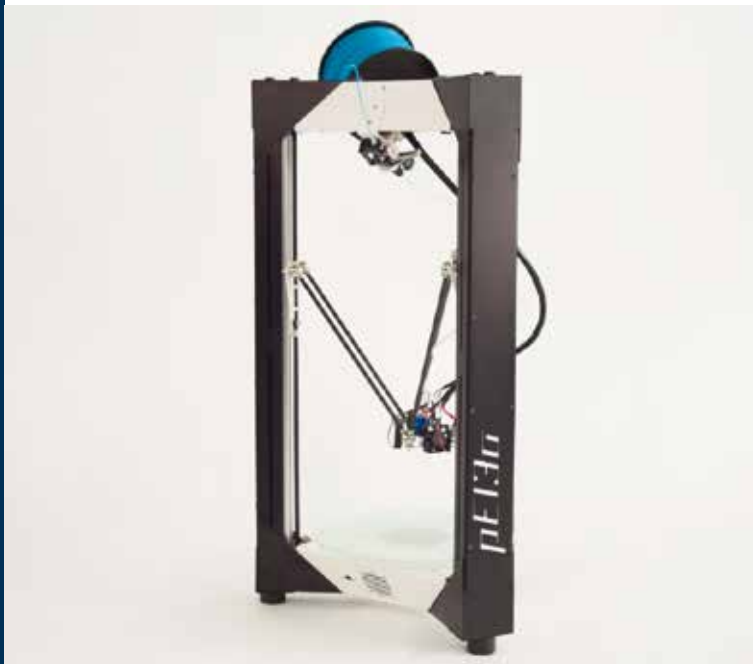
- Continuous lengths up to 2,000mm (total extension)
- Available with partial, total or overextension
- With locking mechanism if required

▶ Page 154

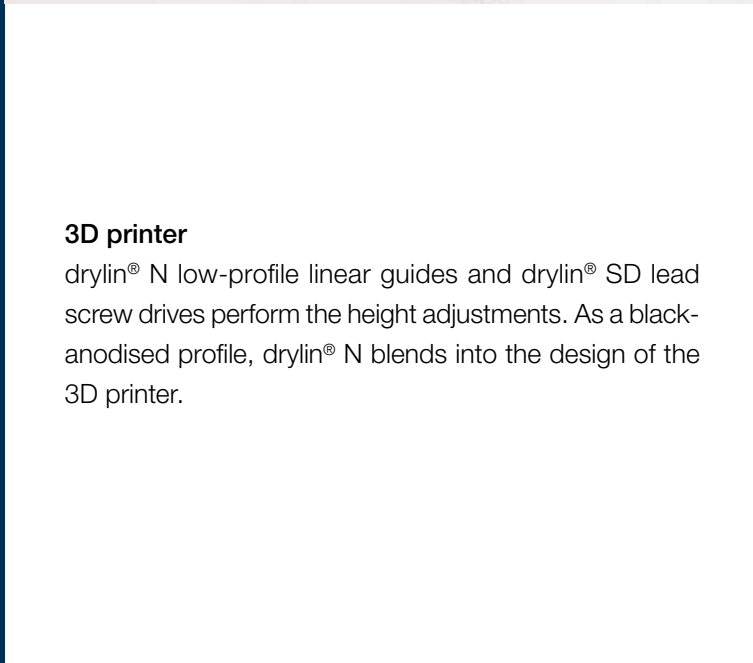


Based on drylin® N

drylin® SLN miniature linear module
▶ From page 573



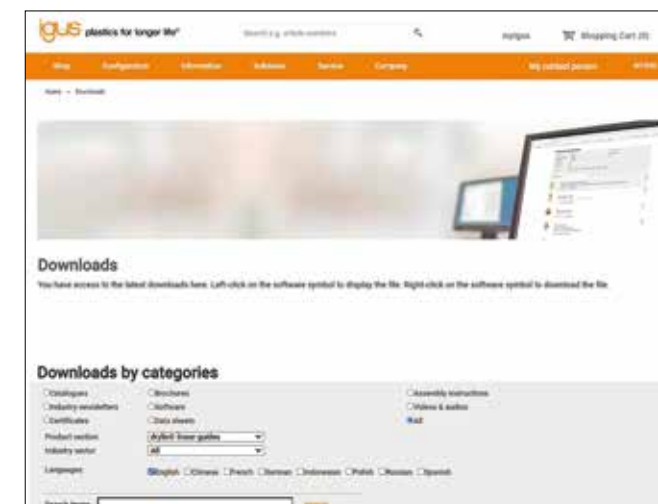
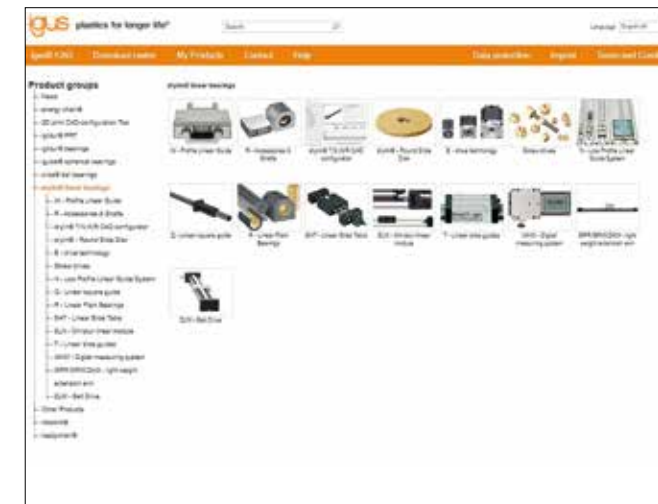
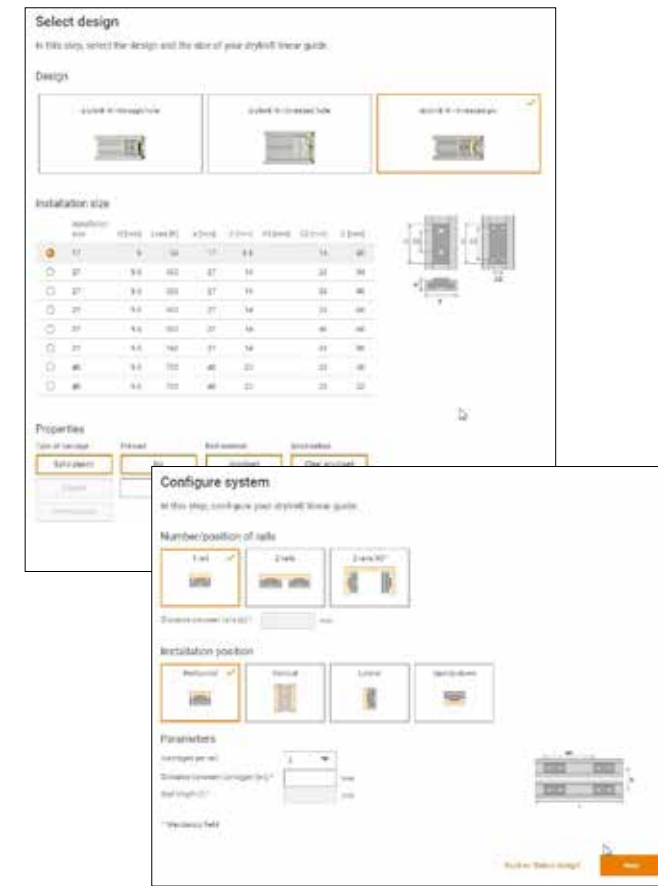
3D printer
The most important decision criterion for drylin® N low-profile linear guides is the low installation height as this makes it possible to achieve a maximum load.



3D printer
drylin® N low-profile linear guides and drylin® SD lead screw drives perform the height adjustments. As a black-anodised profile, drylin® N blends into the design of the 3D printer.



Vending machine
In the redesigning of the table guidance for this automated teller, the focus was on a ready-to-install, cost-effective, durable and lubrication-free bearing and system.



Expert for linear guides: System selection and service life calculation with CAD
Configure and calculate the service life of linear bearings - constantly expanded by new sizes and products
Easily calculate the service life of your required linear guide and configure with a few clicks. Select a drylin® system and add the relevant environmental parameters. Select the bearing size, carriage, number and position. Then enter the distance between the rails and the mounting. Define more relevant parameter of the guidance and select a rail length. The results are displayed.



► www.igus.eu/drylin-expert



Download the online tool app now



drylin® CAD configurator: Generate complete 3D models for drylin® linear technology according to your specifications
The igus® CAD online configurator gives you the ability to design and save your linear guide as a system, individual components directly as a 3D model in all commonly used formats, or to have these sent by e-mail - free of charge and without registration.



► www.igus.eu/drylin-CAD

More information about the products can be found in the igus® download area

- Assembly instructions
- Assembly videos
- System design
- Catalogues



► www.igus.eu/downloads

Floating bearings version



- NW-... Floating bearing in z-direction
- LLZ Floating bearing in z-direction
- LLY Floating bearing in y-direction
- LLYZ Floating bearing in yz-direction

i Technical details on floating bearings
 ▶ Page 50
 The 2:1 Rule ▶ Page 50

Floating bearing	NW-17	NW-27	NW-40	NW-80
LLY	0.6	0.45	0.4	0.6
LLZ	0.5	0.8	0.8	0.8
LLYZ	Y: 0.6	Y: 0.3	Y: 0.4	Y: 0.6
	Z: 0.5	Z: 0.4	Z: 0.8	Z: 0.8

Technical options for drylin® low-profile linear guides

Clip-on sliding elements

Depending on the installation size, up to three lubrication-free sliding elements made from the high-performance polymer iglidur® J are clipped on around the zinc die-casting carriage body. These can be changed any time simply and fast, the zinc die-casting carriage can be reused. A set of appropriate sliding elements is available for every clip-on carriage (Part No. NEK... ▶ Page 152).

Overmoulded sliding elements

With this carriage type, the zinc die-casting body is made as an integral part of the high-performance polymer iglidur® J/ J200 during the injection moulding process. For the user this production process offers the advantage, that the sliding surface is connected captive and insolubly to the carriage. This makes it quicker to install the carriages in the profile. Robust storage is possible, including in the form of bulk goods, as the sliding elements cannot come loose. It is not possible to retrofit sliding elements; the carriages must be entirely replaced at the end of their service life. The continuous operating temperature for overmoulded sliding elements is +50°C

Pre-load function

The use of sliding elements with an integrated spring pre-load function prevents the carriages in the rail profile from rattling. Adjustment occurs silently using the pre-load principle, making the guide suitable for use in noise-sensitive environments such as the automotive, medical or furniture sectors. Pre-load increases the displacement force by max. 10N.

Anodised surfaces

All drylin® N guide rails are anodised and are distinguished by good wear properties and corrosion resistance. All rail sizes are available as clear-anodised version (silver) as well as anti-reflect version with black-anodised surface. These are technical surfaces and not decorative. Slight crack formations and colour variations cannot be prevented during production, but they do not affect the resistance, the corrosion behaviour or the sliding properties. Cutting surfaces and machined surfaces are uncoated.

Tightening torque for drylin® metallic screws

Metric thread (Da)	tightening torque	Recommended tightening torque
	[Nm]	[Nm]
M3	0.5 - 1.1	0.7
M4	1.0 - 2.8	1.5
M5	2.0 - 5.5	3.0
M6	4.0 - 10.0	6.0
M8	8.0 - 23.0	15.0
M10	22.0 - 46.0	30.0

Please be aware of the minimal screw-in depth for aluminium and zinc die-casting parts: 1.5xDa

System selection				
System	N17	N27	N40	N80
Rail width	17mm	27mm	40mm	80mm
Installation height	6mm	9.5mm	9.5mm	12mm
General properties				
Rail weight	150g/m	290g/m	450g/m	1,140g/m
Carriage weight	1.7g	9-12.5g	30g	100g
Max. rail length	2,000mm	3,000mm	3,000mm	4,000mm
Load capacity, static				
Fy	50N	500N	700N	1,000N
Fz	50N	500N	700N	1,000N
Mx	0.31 Nm	5Nm	10Nm	32.4Nm
My, Mz	0.18Nm	2.5 Nm	6Nm	15Nm
Carriage options				
Floating bearing in y-direction	●	●	●	●
Floating bearing in z-direction	●	●	●	●
Floating bearing in yz-direction	●	●	●	●
Pre-load (1N)	●	●	●	–
Overmoulded version	–	●	●	●
Carriage with plain hole	–	●	●	–
Carriage with threaded pin	●	●	●	–
Carriage with threaded hole	–	–	–	●

Table 01: System selection ● available – not available

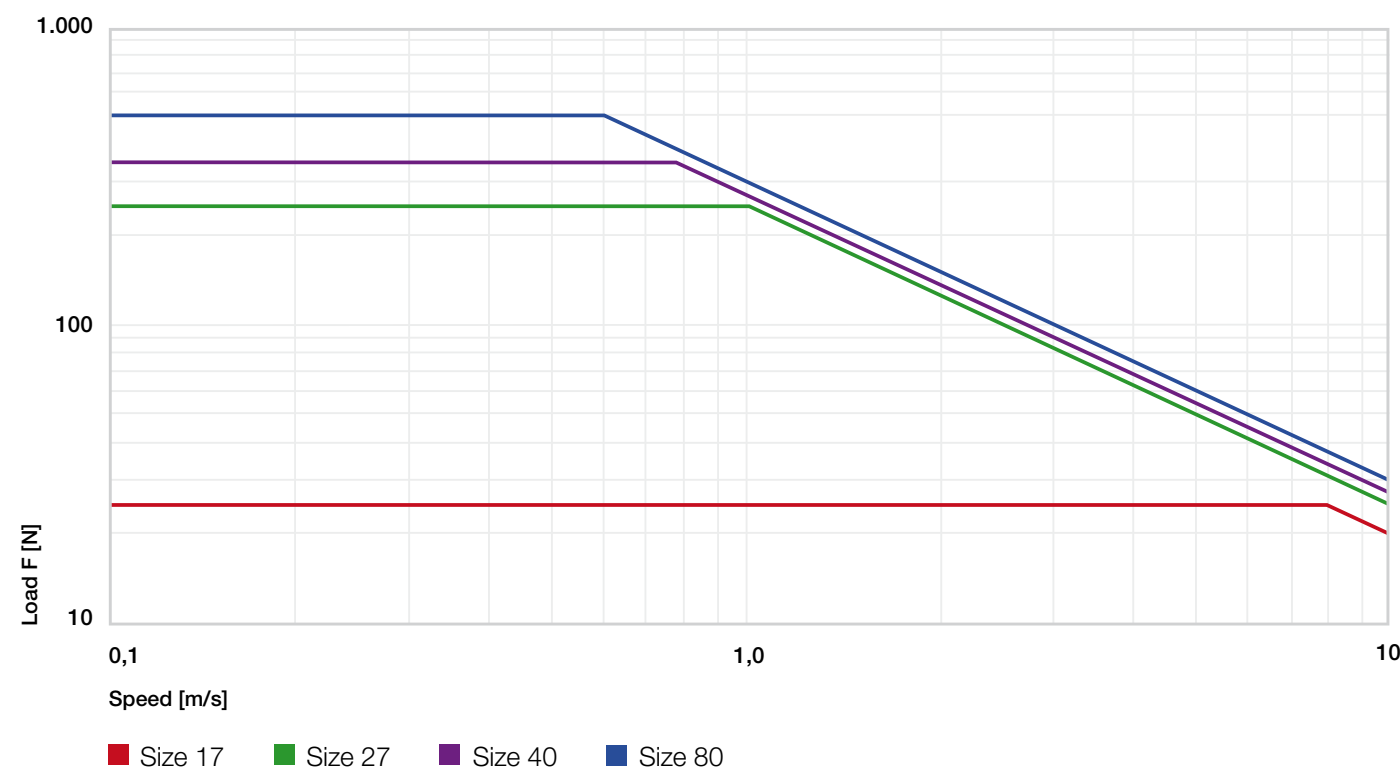


Diagram 01: F v diagram, maximum permissible dynamic load



Complete system

Order key

Type	Installation size	Options
------	-------------------	---------

N W- 22 - 17 - 30 - LLY

drylin® N	Guide carriages	Type of carriage	Rail width	Carriage length	Floating bearing in y-direction
-----------	-----------------	------------------	------------	-----------------	---------------------------------

Type of carriage:

- 02: Carriage with threaded pin
- 22: Double carriage with threaded pin

Options:

- P: Pre-load
- Floating bearing
- LLY: y-direction (not possible with "P" option)
- LLZ: z-direction
- LLYZ: yz-direction

Guide rail - dimensions [mm]

Part No.	L	a	C4	C5 C6	h	h1	K1 ⁷³⁾	ly	lz	Weight [g/m]
	max.			min. max.				[mm ²]	[mm ²]	
NS-01-17-□ ⁷²⁾	2,000	17	60	20 49.5	5.5	0.9	Ø3.5	1,700	120	150
NS-01-17-UNGEBOHRT-□ ⁷²⁾	2,000	17	-	- -	5.5	0.9	-	1,700	120	150
NS-01-17-AR-□ ⁷²⁾	2,000	17	60	20 49.5	5.5	0.9	Ø3.5	1,700	120	150

Guide carriage - dimensions [mm]

Part No.	H ±0.35	A	C	C2	K3 ⁷⁴⁾	Sp	Dp ¹⁵⁹⁾	Weight [g]
NW-02-17	6.0	9.6	20	14	M3	2.5	5.0	1.7
NW-02-17-P	6.0	9.6	20	14	M3	2.5	5.0	1.7
NW-22-17-30	6.0	9.6	30	18	M3	2.5	5.0	2.4
NW-22-17-40	6.0	9.6	40	28	M3	2.5	5.0	2.6

⁷²⁾ Please give the required length in mm, symmetrical standard hole pattern C5=C6

⁷³⁾ For cap screw with low head (e.g. DIN 7984, DIN 6912, DIN 84, EN ISO 1707)

⁷⁴⁾ Metal thread

¹⁵⁹⁾ Hole min. Ø

All elements can be ordered individually or as assembled systems

NS-01-17-1500: Guide rail, installation size 17, 1,500mm length

NK-02-17-02-500-LLY: Complete system with two solid plastic guide carriages with threaded pins, installation size 17, floating bearing in y-direction and 500mm guide rails with standard holes



Standard

without holes

Anti-reflect



NW-02-17



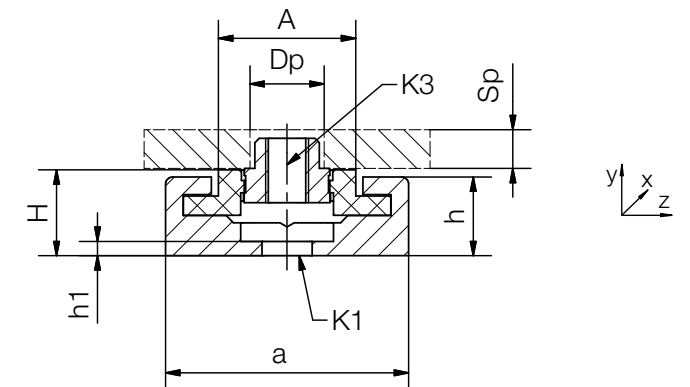
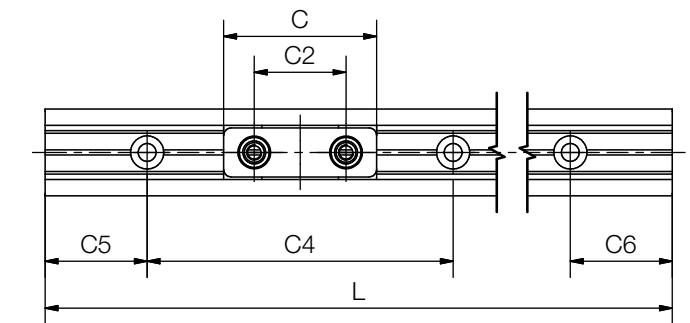
NW-02-17-P



NW-22-17-30



NW-22-17-40



Selection aid - guide carriage

Part No.	Single	Double	Plain hole	Threaded pin	Threaded hole	Pre-load	Solid plastic	Clipped-on	Over-moulded	High temp.
NW-02-17	●			●			●			
NW-02-17-P	●			●		●	●			
NW-22-17-30		●		●			●			
NW-22-17-40		●		●			●			



Complete system



Order key

Type	Size	Options
------	------	---------

N W-01- 27 -HT-LLY

drylin® N	Guide carriages	Type of carriage	Rail width	Carriage length	Floating bearing in y-direction
-----------	-----------------	------------------	------------	-----------------	---------------------------------

Type of carriage:

See selection aid

Options:

P: Pre-load

HT: High temperature

Floating bearing

LLY: y-direction

LLZ: z-direction

LLYZ: yz-direction

Guide rail - dimensions [mm]

Part No.	L	a	C4	C5	C6	h	h1	K1 ⁷³⁾	ly	lz	Weight
	max.			min.	max.				[mm ²]	[mm ²]	[g/m]
NS-01-27-□ ⁷²⁾	3,000	27	60	20	49.5	9	1.1	Ø4.5	6,524	588	290
NS-01-27-UNGEBOHRT-□ ⁷²⁾	3,000	27	-	-	-	9	1.1	-	6,524	588	290
NS-01-27-AR-□ ⁷²⁾	3,000	27	60	20	49.5	9	1.1	Ø4.5	6,524	588	290

Guide carriage - dimensions [mm]

Part No.	H	A	C	C1	C2	H2	K ⁷³⁾	K3 ⁷⁴⁾	M ⁷⁵⁾	Sp	Dp ¹⁵⁹⁾	Weight
	±0.35								[Nm]			[g]
NW-01-27	9.5	14.0	40	30	20	1.2	Ø4.5	-	-	-	-	10.8
NW-11-27	9.5	14.0	34	30	20	1.2	Ø4.5	-	-	-	-	10.8
NW-01-27-P	9.5	14.0	40	30	20	1.2	Ø4.5	-	-	-	-	10.8
NW-01-27-HT	9.5	14.0	40	30	20	1.2	Ø4.5	-	-	-	-	11.0
NW-02-27	9.5	14.0	40	30	20	-	-	M4	1.2	5.0	6.5	12.5
NW-12-27	9.5	14.0	34	30	20	-	-	M4	1.2	5.0	6.5	12.5
NW-02-27-P	9.5	14.0	40	30	20	-	-	M4	1.2	5.0	6.5	12.5
NW-02-27-HT	9.5	14.0	40	30	20	-	-	M4	-	5.0	6.5	13.0
NW-21-27-60-P	9.5	14.0	60	60	20	0.7	Ø4.5	-	-	-	-	9.0
NW-22-27-60-P	9.5	14.0	60	60	20	-	-	M4	1.2	5.0	6.5	12.0
NW-31-27-60-P	9.5	14.0	60	60	40	0.7	-	M4	-	-	-	9
NW-32-27-60-P	9.5	14.0	60	60	40	-	-	M4	1.2	5	6.5	12
NW-11-27-80	9.5	14.0	80	76	60	1.2	Ø4.5	-	-	-	-	25.0
NW-12-27-80	9.5	14.0	80	76	60	-	-	M4	1.2	5.0	6.5	25.0

⁷²⁾ Please give the required length in mm, symmetrical standard hole pattern C5=C6

⁷³⁾ For cap screw with low head (e.g. DIN 7984, DIN 6912, DIN 84, EN ISO 1707)

⁷⁴⁾ Metal thread ⁷⁵⁾ Max. screw tightening torque ¹⁵⁹⁾ Hole min. Ø

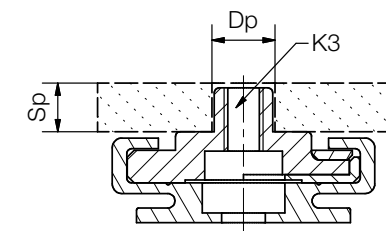
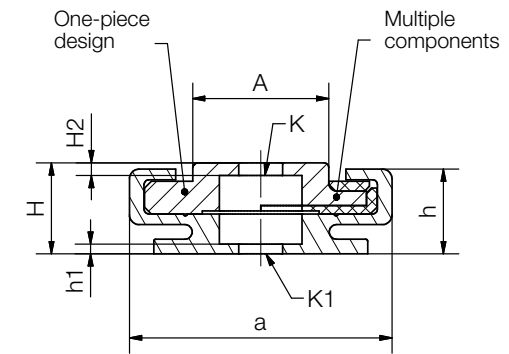
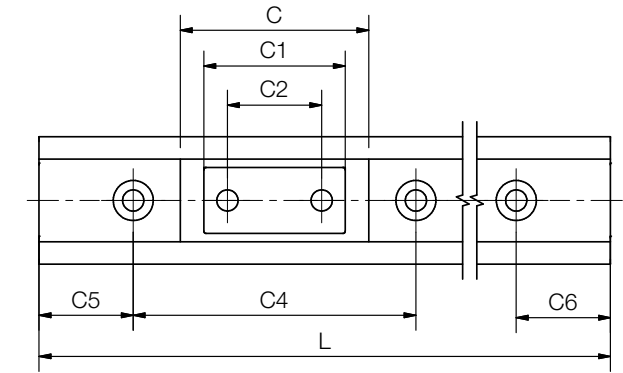
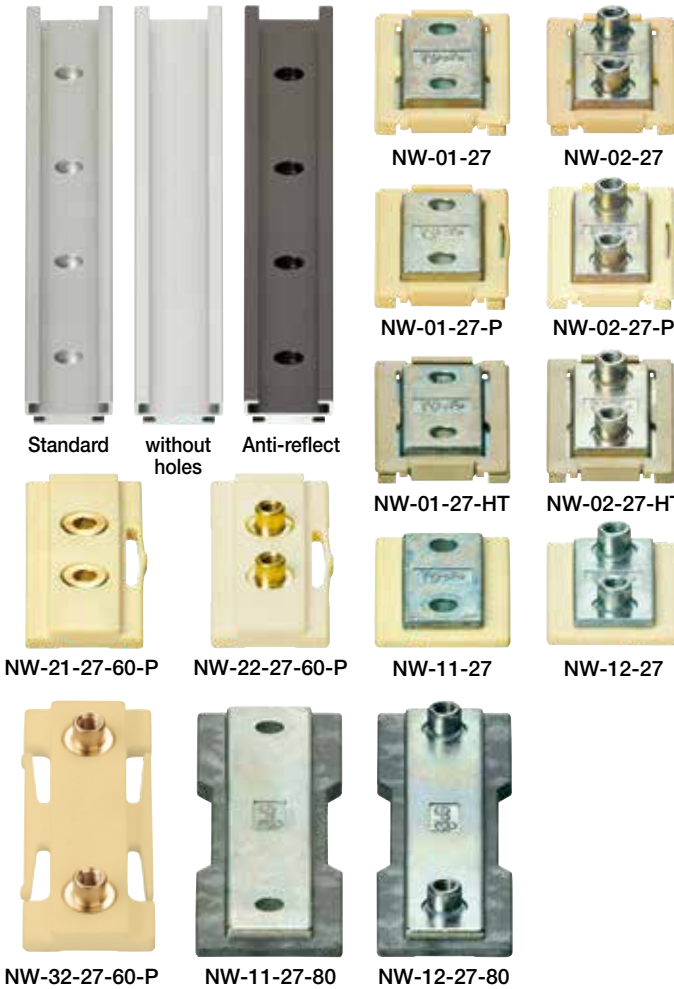


All elements can be ordered individually or as assembled systems

NS-01-27-1500: Guide rail, installation size 27, 1,500mm length

NW-02-27-P-LL: Guide carriage with threaded pin, installation size 27, pre-load, floating bearing in y-direction

NK-02-27-02-500-LLY: Complete system with two clipped-on guide carriages with threaded pins, installation size 27, floating bearing in y-direction and 500mm guide rails with standard holes



Selection aid - guide carriage

Part No.	Single	Double	Plain hole	Threaded pin	Threaded hole	Pre-load	Solid plastic	Clipped-on	Over-moulded	High temp.
NW-01-27	●		●					●		
NW-11-27	●		●						●	
NW-01-27-P	●		●			●		●		
NW-01-27-HT	●		●					●		●
NW-02-27	●			●				●		
NW-12-27	●			●					●	
NW-02-27-P	●			●		●		●		
NW-02-27-HT	●			●				●		●
NW-21-27-60-P	●		●			●	●			
NW-22-27-60-P	●			●		●	●			
NW-31-27-60-P	●		●			●	●			
NW-32-27-60-P	●			●		●	●			
NW-11-27-80		●	●						●	
NW-12-27-80		●		●					●	



Complete system



Order key

Type	Size	Options
------	------	---------

N W-01- 40 - P -LLY

drylin® N	Guide carriages	Type of carriage	Rail width	Pre-load	Floating bearing in y-direction
-----------	-----------------	------------------	------------	----------	---------------------------------

Type of carriage:
See selection aid
Options:
P: Pre-load

Floating bearing
LLY: y-direction
LLZ: z-direction
LLYZ: yz-direction

Guide rail - dimensions [mm]

Part No.	L	a	C4	C5	C6	h	h1	K1 ⁷³⁾	ly	lz	Weight
	max.			min.	max.				[mm ⁴]	[mm ⁴]	[g/m]
NS-01-40-□ ⁷²⁾	3,000	40	60	20	49.5	8.7	1.3	Ø4.5	26,400	970	450
NS-01-40-UNGEBOHRT-□ ⁷²⁾	3,000	40	-	-	-	8.7	1.3	-	26,400	970	450
NS-01-40-AR-□ ⁷²⁾	3,000	40	60	20	49.5	8.7	1.3	Ø4.5	26,400	970	450

Guide carriage - dimensions [mm]

Part No.	H	A	C	C1	C2	H2	K ⁷³⁾	K3 ⁷⁴⁾	Sp	Dp ¹⁵⁹⁾	Weight
	±0.35										[g]
NW-01-40	9.5	23.0	50	40	20	1.3	Ø4.5	-	-	-	30.0
NW-01-40-P	9.5	23.0	50	40	20	1.3	Ø4.5	-	-	-	30.0
NW-11-40	9.5	23.0	52	40	20	1.3	Ø4.5	-	-	-	30.0
NW-02-40	9.5	23.0	50	40	20	-	-	M4	5.0	6.5	30.0
NW-02-40-P	9.5	23.0	50	40	20	-	-	M4	5.0	6.5	30.0
NW-12-40	9.5	23.0	52	40	20	-	-	M4	5.0	6.5	30.0
NW-22-40 New	9.3	23.0	50	40	20	-	-	M4	-	-	12.0

⁷²⁾ Please give the required length in mm, symmetrical standard hole pattern C5=C6

⁷³⁾ For cap screw with low head (e.g. DIN 7984, DIN 6912, DIN 84, EN ISO 1707)

⁷⁴⁾ Metal thread

¹⁵⁹⁾ Hole min. Ø



All elements can be ordered individually or as assembled systems

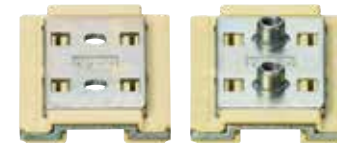
NS-01-40-1500: Guide rail, installation size 40, 1,500mm length

NW-02-40-P-LLY: Guide carriage with threaded pin, installation size 40, pre-load, floating bearing in y-direction

NK-02-40-02-500-LLY: Complete system with two clipped-on guide carriages with threaded pins, installation size 40, floating bearing in y-direction and 500mm guide rails with standard holes



Standard without holes Anti-reflect



NW-01-40 NW-02-40



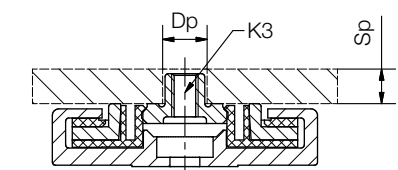
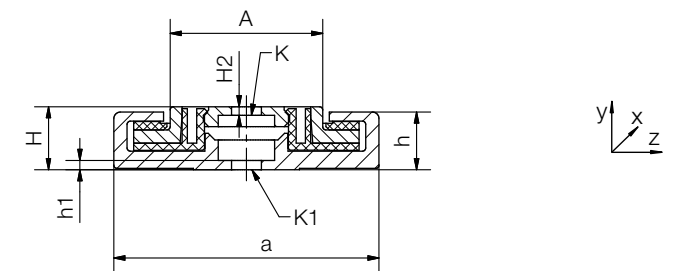
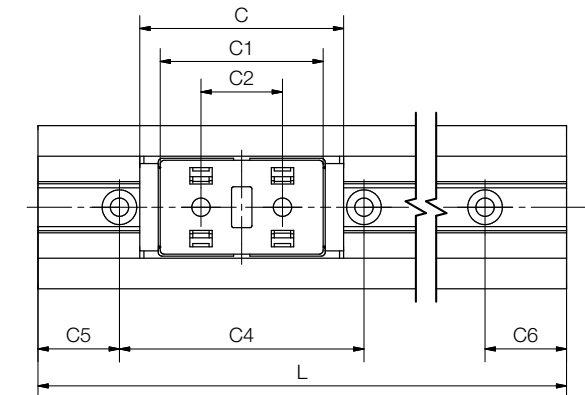
NW-01-40-P NW-02-40-P



NW-11-40 NW-12-40



NW-22-40



Selection aid - guide carriage

Part No.	Single	Double	Plain hole	Threaded pin	Threaded hole	Pre-load	Solid plastic	Clipped-on	Overmoulded	High temp.
NW-01-40	●		●					●		
NW-01-40-P	●		●			●		●		
NW-11-40	●		●						●	
NW-02-40	●			●				●		
NW-02-40-P	●			●		●		●		
NW-12-40	●			●					●	
NW-22-40 New	●				●		●			



Order key

Type Size Options

N W-02- 80 - P -LLY

drylin® N	Guide carriages	Type of carriage	Rail width	Pre-load	Floating bearing in y-direction
-----------	-----------------	------------------	------------	----------	---------------------------------

Type of carriage:

See selection aid

Options:

P: Pre-load

Floating bearing

LLY: y-direction

LLZ: z-direction

LLYZ: yz-direction



Complete system

Guide rail (standard/without holes/AR anti-reflect) - dimensions [mm]

Part No.	L	a	C4	A3	C5	C6	h	h1	K1 ⁷³⁾	ly	lz	Weight [g/m]
	max.				min.	max.				[mm ²]	[mm ²]	
NS-01-80-□ ⁷²⁾	4,000	80	150	40	25	99.5	11	1.5	Ø4.5	271,200	2,900	1,140
NS-01-80-UNGEBOHRT-□ ⁷²⁾	4,000	80	-	-	-	-	11	1.5	-	271,200	2,900	1,140
NS-01-80-AR-□ ⁷²⁾	4,000	80	150	40	25	99.5	11	1.5	Ø4.5	271,200	2,900	1,140

Guide carriage - dimensions [mm]

Part No.	H	A	C	C1	C2	A2	K4 ⁷⁴⁾	Weight [g]
	±0.35							
NW-02-80	12.0	57.0	80	68	56	45	M4	100.0
NW-02-80-P New	12.0	57.0	80	68	56	45	M4	100.0
NW-12-80	12.0	57.0	83	68	56	45	M4	146.3

⁷²⁾ Please give the required length in mm, symmetrical standard hole pattern C5=C6

⁷³⁾ For cap screw with low head (e.g. DIN 7984, DIN 6912, DIN 84, EN ISO 1707)

⁷⁴⁾ Metal thread



All elements can be ordered individually or as assembled systems

NS-01-80-1500: Guide rail, size 80, 1,500mm length

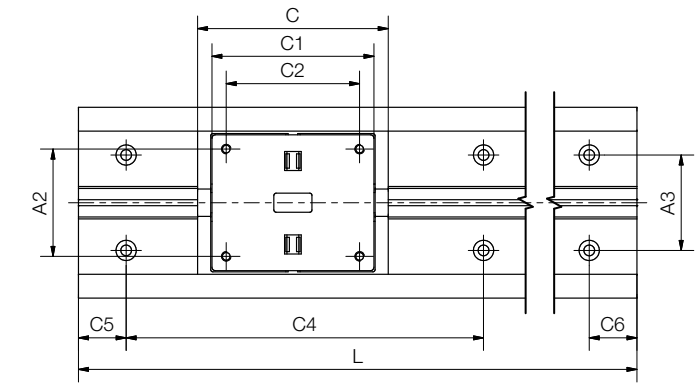
NW-02-80-LLY: Guide carriage, clip-on, installation size 80, floating bearing in y-direction,

NK-02-80-02-500-LLY: Complete system with two clipped-on guide carriages with threaded pins, installation size 80, floating bearing in y-direction and 500mm guide rails with standard holes



Standard

without holes

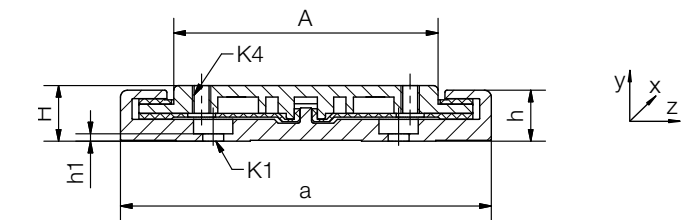


Anti-reflect

NW-12-80



NW-02-80-P



Selection aid - guide carriage

Part No.	Single	Double	Plain hole	Threaded pin	Threaded hole	Pre-load	Solid plastic	Clipped-on	Over-moulded	High temp.
NW-02-80	●				●			●		
NW-02-80-P New	●				●	●		●		
NW-12-80	●				●				●	

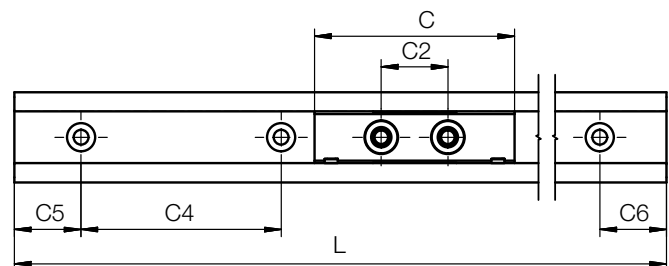


Order key

Type	Installation size	Options
------	-------------------	---------

NSV- 01 - 27 -AR- UNGEBOHRT

Guide rail for pre-load prism slide	Type	Installation size	Anti-reflect
-------------------------------------	------	-------------------	--------------



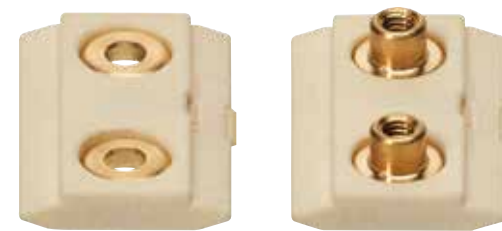
Guide rail - dimensions [mm]

Part No.	L	a	C4	C5	C6	h	h1	K1	ly	lz	Weight [g/m]
	max.			min.	max.				[mm ²]	[mm ²]	
NSV-01-27	3,000	27	60	20	49.5	8.8	1.1	Ø4.5	11,250	766	409
NSV-01-27-AR	3,000	27	60	20	49.5	8.8	1.1	Ø4.5	11,250	766	409
NSV-01-27- ⁷²⁾	3,000	27	-	-	-	8.8	1.1	-	11,250	766	409
NSV-01-27- -AR ⁷²⁾	3,000	27	-	-	-	8.8	1.1	-	11,250	766	409

⁷²⁾ Please give the required length in mm, symmetrical standard hole pattern C5=C6

- Accessories:
- NSVK-27 ► Page 152
 - NSVZ-27 ► Page 152
 - NSVA-27 ► Page 152

drylin® stop motion full product range online
► www.igus.eu/drylinstopmotion



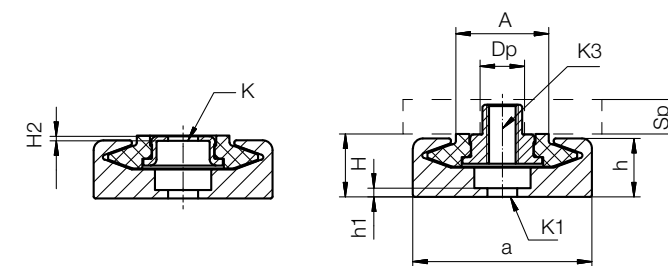
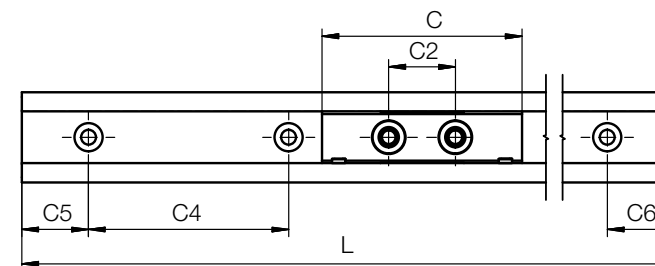
With threaded pin 22 or with plain hole 21

Order key

Type	Installation size	Options
------	-------------------	---------

NWV- 21-27-35 -P05

Pre-load prism slide	Type of carriage	Rail width	Carriage length	Pre-load
----------------------	------------------	------------	-----------------	----------



Guide carriage - dimensions [mm]

Part No.	Pre-load	H	A	C	C2	H2	K	K3	M ⁷⁵⁾	SP	Dp ¹⁵⁹⁾	Weight [g]
		±0.35					Ø4.5		[Nm]	min.		
NWV-21-27-35-P05	0.5	9.5	14	35	20	0.7	Ø4.5	-	-	-	-	6
NWV-21-27-35-P11	1.1	9.5	14	35	20	0.7	Ø4.5	-	-	-	-	6
NWV-21-27-35-P23	2.3	9.5	14	35	20	0.7	Ø4.5	-	-	-	-	6
NWV-21-27-35-P38	3.8	9.5	14	35	20	0.7	Ø4.5	-	-	-	-	6
NWV-21-27-35-P80	8.0	9.5	14	35	20	0.7	Ø4.5	-	-	-	-	6
NWV-22-27-35-P05	0.5	9.5	14	35	20	-	-	M4	1.2	5	6.5	11
NWV-22-27-35-P11	1.1	9.5	14	35	20	-	-	M4	1.2	5	6.5	11
NWV-22-27-35-P23	2.3	9.5	14	35	20	-	-	M4	1.2	5	6.5	11
NWV-22-27-35-P38	3.8	9.5	14	35	20	-	-	M4	1.2	5	6.5	11
NWV-22-27-35-P80	8.0	9.5	14	35	20	-	-	M4	1.2	5	6.5	11

⁷⁵⁾ Max. screw tightening torque

¹⁵⁹⁾ Hole min. Ø

drylin® stop motion full product range online
► www.igus.eu/drylinstopmotion



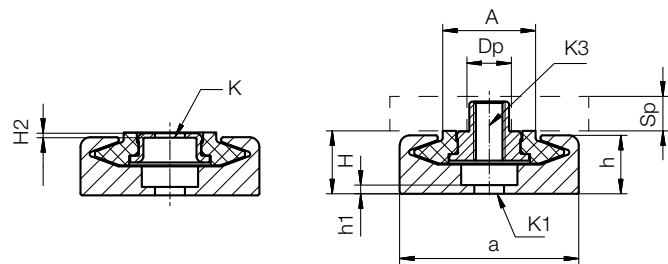
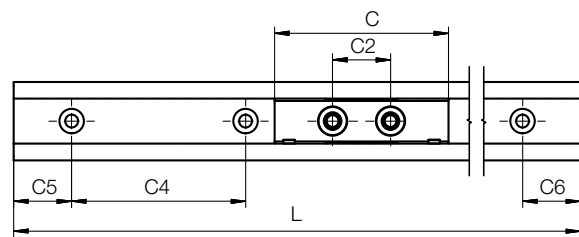
With threaded pin 22 or with plain hole 21

Order key

Type	Installation size	Options
------	-------------------	---------

NWV-21-27-60-P10

Pre-load prism slide	Type of carriage	Rail width	Carriage length	Pre-load
----------------------	------------------	------------	-----------------	----------



Guide carriage - dimensions [mm]

Part No.	Pre-load	H	A	C	C2	H2	K	K3	M ⁷⁵⁾	SP	Dp ¹⁵⁹⁾	Weight
	[N]	±0.35							[Nm]	min.		[g]
NWV-21-27-60-P10	1.0	9.5	14	60	20	0.7	Ø4.5	-	-	-	-	10
NWV-21-27-60-P22	2.2	9.5	14	60	20	0.7	Ø4.5	-	-	-	-	10
NWV-21-27-60-P46	4.6	9.5	14	60	20	0.7	Ø4.5	-	-	-	-	10
NWV-21-27-60-P76	7.6	9.5	14	60	20	0.7	Ø4.5	-	-	-	-	10
NWV-21-27-60-P160	16.0	9.5	14	60	20	0.7	Ø4.5	-	-	-	-	6
NWV-22-27-60-P10	1.0	9.5	14	60	20	-	-	M4	1.2	5	6.5	13
NWV-22-27-60-P22	2.2	9.5	14	60	20	-	-	M4	1.2	5	6.5	13
NWV-22-27-60-P46	4.6	9.5	14	60	20	-	-	M4	1.2	5	6.5	13
NWV-22-27-60-P76	7.6	9.5	14	60	20	-	-	M4	1.2	5	6.5	13
NWV-22-27-60-P160	16.0	9.5	14	60	20	-	-	M4	1.2	5	6.5	11

⁷⁵⁾ Max. screw tightening torque

¹⁵⁹⁾ Hole min. Ø

drylin® stop motion full product range online
► www.igus.eu/drylinstopmotion



Standard carriages

Part No.	Average displacement force [N]
NWV-21/22-27-35-P05	1.0
NWV-21/22-27-35-P11	2.2
NWV-21/22-27-35-P23	4.6
NWV-21/22-27-35-P38	7.6
NWV-21/22-27-35-P80	16.0

Part No.	Guaranteed holding force [N]
NWV-21/22-27-35-P05	0.5
NWV-21/22-27-35-P11	1.1
NWV-21/22-27-35-P23	2.3
NWV-21/22-27-35-P38	3.8
NWV-21/22-27-35-P80	8.0

Long carriages

Part No.	Average displacement force [N]
NWV-21/22-27-60-P10	2.0
NWV-21/22-27-60-P22	4.4
NWV-21/22-27-60-P46	9.2
NWV-21/22-27-60-P76	15.2
NWV-21/22-27-60-P160	32.0

Part No.	Guaranteed holding force [N]
NWV-21/22-27-60-P10	1.0
NWV-21/22-27-60-P22	2.2
NWV-21/22-27-60-P46	4.6
NWV-21/22-27-60-P76	7.6
NWV-21/22-27-60-P160	16.0

Note:

The average displacement force values apply to unloaded carriages at centric drive. The real displacement forces depend to a large extent on the displacement speed. At creep movement (few mm/min.), the values are slightly over the guaranteed holding force. At higher displacement forces, the values can considerably exceed the average displacement force. The values do not apply for applications in which dirt and moisture ingress into the system. The holding force cited is a minimum value - the displacement force required to move the carriage may be higher.

drylin® stop motion full product range online
► www.igus.eu/drylinstopmotion

Accessories: Manual clamp

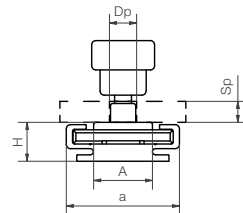
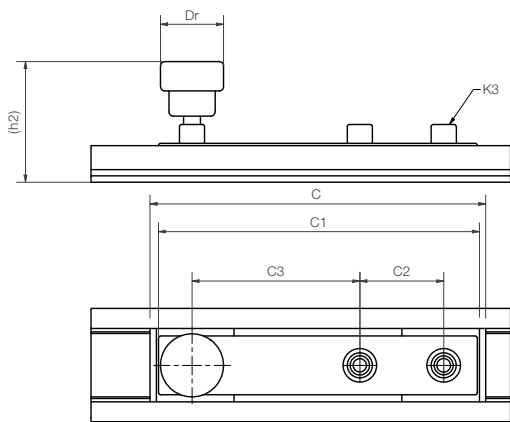


Order key

Type	Size	Version
------	------	---------

N W-12-27-80-HKA

drylin® N	Guide carriages	Type of carriage	Rail width	Carriage length	Manual clamp
-----------	-----------------	------------------	------------	-----------------	--------------



Dimensions [mm]

Part No.	H	(h2)	A	a	C	C1	C2	C3	K3	M	Sp	Dp	Dr	Weight [g]
NW-12-27-80-HKA	9.5	32	14	27	80	76	20	40	M4	1.2	5	6.5	15	32

M: Permissible torque of the complete system



Order example:

NW-12-27-80-HKA: Manual clamp for NW-12-27-80 carriage

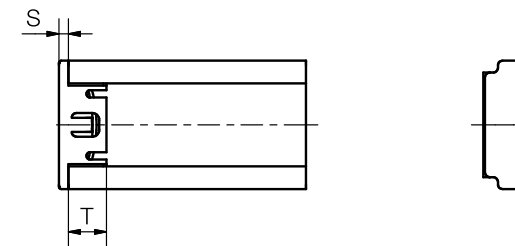
Accessories: End caps

Order key

Type	Size
------	------

NSK B - 40

drylin® N - end caps	Push-fit	Rail width
----------------------	----------	------------



Dimensions [mm]

Part No.	S	T	For rail
NSKB-17	1.5	7	NS-01-17
NSKB-27	2.0	8	NS-01-27
NSK-40	1.5	8	NS-01-40
NSKB-80	2.0	17	NS-01-80



Order example:

NSK-40: End caps for guide rail size 40, bolted



Easily assembled and disassembled by hand using a screwdriver. Part No.: NSKB

End caps for rail size 40, screwed
Part No.: NSK-40

Accessories: End caps



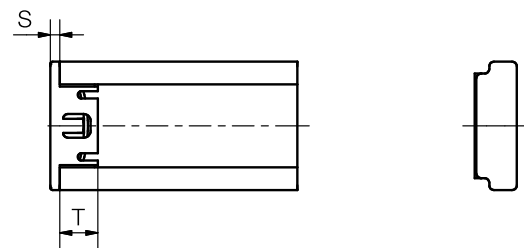
Order key

Type Size

NSV K - 27

drylin® N -
end caps
Type
Rail width

Type:
K: Aesthetic end cap for prism rail
A: Rail end cap, bolted
Z: Variable rail end cap, can be
clamped



Dimensions [mm]

Part No.	S	T	For rail	Min. static holding force [N]
NSVK-27 New	1.5	8	NSV-01-27	-
NSVZ-27 New	-	10	NSV-01-27	200
NSVA-27 New	-	10	NSV-01-27	100

drylin® N replacement plastic sliders (set)

Material iglidur® J

Carriage type	Part No.
Sliding part set	
NW-01/02/27	NEK-01-27
NW-01/02-27P	NEK-01-27-P
NW-01/02-27-LLY	NEK-01-27-LLY
NW-01/02-27-LLZ	NEK-01-27-LLZ
NW-01/02-40	NEK-02-40
NW-01/02-40P	NEK-01-40-P
NW-01/02-40-LLY	NEK-02-40-LLY
NW-01/02-40-LLZ	NEK-02-40-LLZ
NW-02-80	NEK-02-80
NW-02-80-LLY	NEK-02-80-LLY
NW-02-80-LLZ	NEK-02-80-LLZ



drylin® linear technology - drylin® N telescopic rails

Continuously extendable

Lubrication-free dry-tech® sliding elements

Quiet, sliding movement

Full extension, partial extension, overextension



Telescopic rails



Order key partial extension

Type	Size	Option
N T - 35 - 300 - 200 - AR		
drylin® N	Telescopic system	
	Rail width	
	Length [mm]	
	Partial extension [mm]	
	Anti-reflect	

Option:

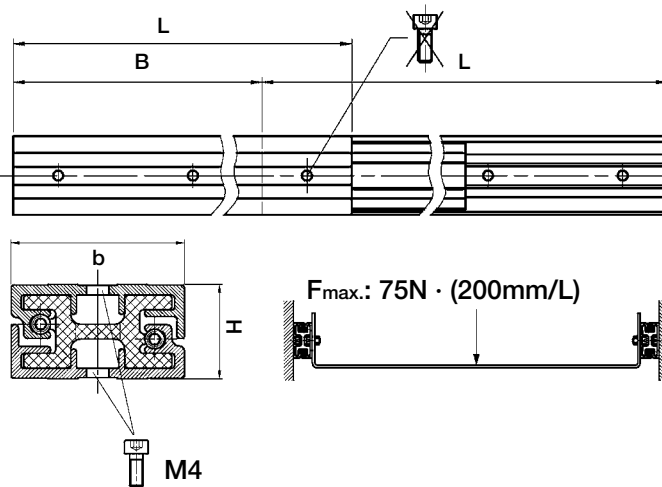
For partial extension "-200", for overextension "-320"
partial extension

(example: compressed length 300mm, extended length 500mm)

AR: Anti-reflect, black

HT: Temperature-resistant up to +130°C with sliding element made of iglidur® Q2

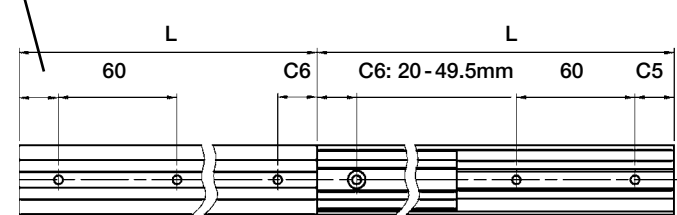
NT-35-"L"-"B" - Partial extension



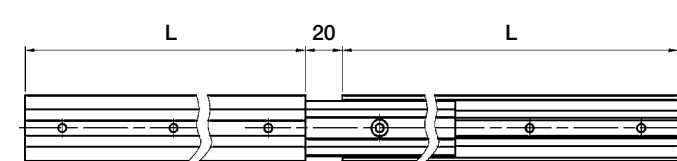
- Robust polymer/aluminium version
- Lightweight
- Cost-effective
- Corrosion-resistant
- Continuous lengths of up to 1,200mm (total extension)

NT-35-"L" - Total extension

C5: 20 - 49.5mm



NT-35-"L"-"L+20" - Overextension



Dimensions [mm]

Part No.	b	H	C4	C5 = C6		L	
				min.	max.	min.	max.
NT-35-... mm	35	19	60	20	49.5	100	600
NT-35-AR	New 35	19	60	20	49.5	100	600
NT-35-HT-... mm	New 35	19	60	20	49.5	100	600
NT-LM-35-HT-... mm	New 35	19	60	20	49.5	140	600



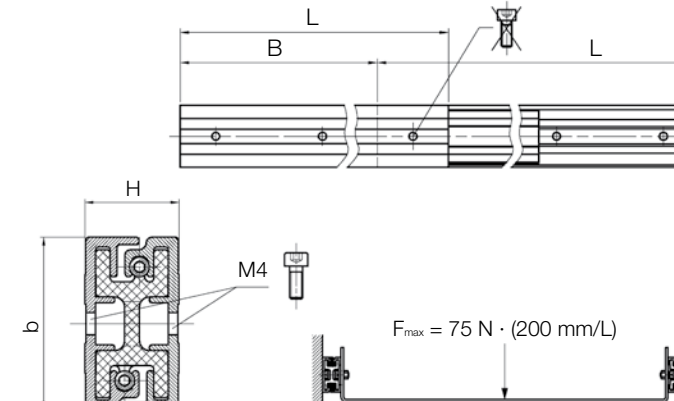
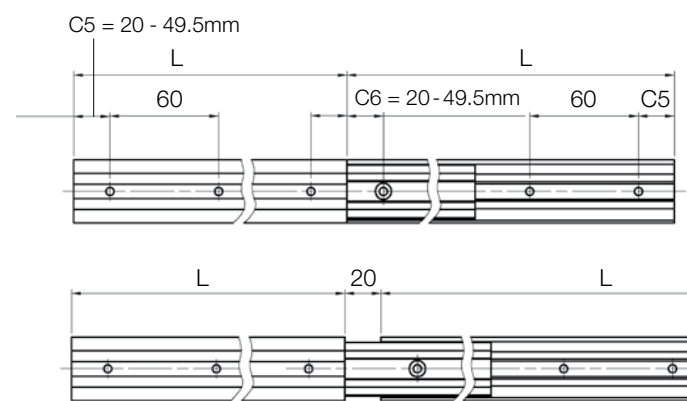
Tip:

F_{max} calculated using this formula allows an easy manual use. Higher loads can be taken up by the system, but need a higher drive force.

Telescopic rails with locking mechanism

Order key

Type	Size	Option
N T - LM - 35 - 300		
drylin® N	Telescopic system	
	Locking mechanism	
	Rail width	
	Length [mm]	



drylin® NT LM in adjustment of Perspex guard



drylin® NT LM in guard door adjustment in a machine tool

drylin® detent in end and centre position at full extension - dimensions [mm]

Part No.	b	H	Lmin.	Lmax.
NT-LM-35-...mm	35	19	140	600

Individual position detent upon request; The length divided by the locking distance must be an even number.
e.g. length 250mm, latching in 62.5mm step: 250/62.5: 4



Order example:

NT-LM-35-300: drylin® N telescopic rail with locking mechanism, 35mm width, retracted length 300mm



drylin® stop motion full product range online

► www.igus.eu/drylinstopmotion

Telescopic guide for heavy loads and rigidity



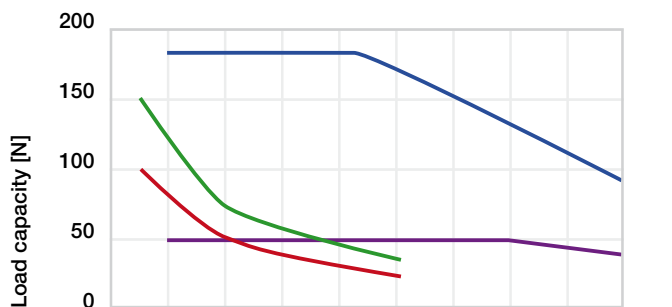
Order key partial extension

Type	Size	Option
N T - 60 - 200 - 200 - AR		
drylin® N	Telescopic system	
	Rail width	
	Length [mm]	
	Partial extension [mm]	
	Anti-reflect	

Option: For partial extension „-200“, for overextension „-320“

Partial extension: (example: compressed length 300mm, extended length 500mm)

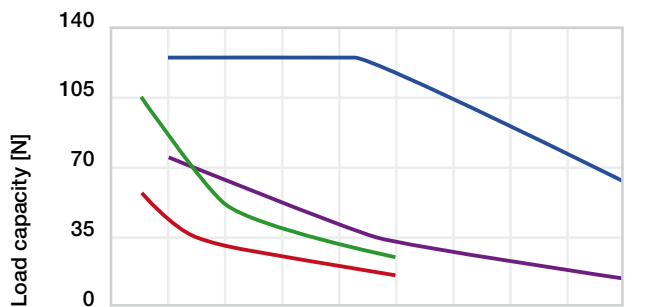
AR: Anti-reflect, black



Basic length (mm)

- NT-35 limit for manual actuation
- NT-35 structural load limit
- NT-60 limit for manual actuation
- NT-60 structural load limit

drylin® N telescope systems load capacity of a drawer with two systems installed upright

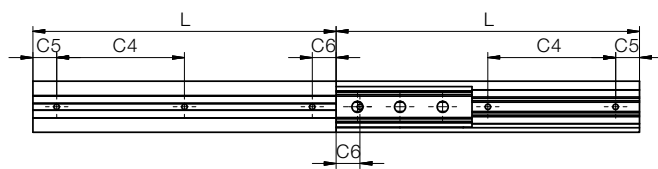


Basic length (mm)

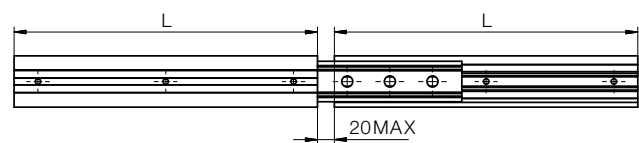
- NT-35 Fsy
- NT-35 Fsz
- NT-60 Fsy
- NT-60 Fsz

drylin® N telescope static load capacity in different load directions

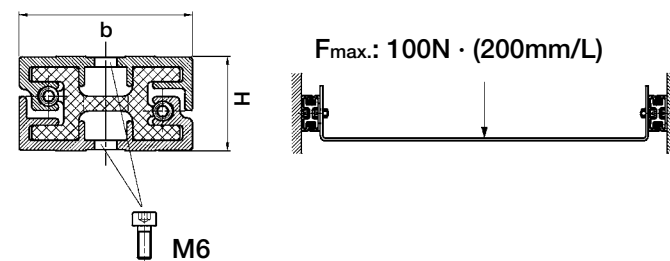
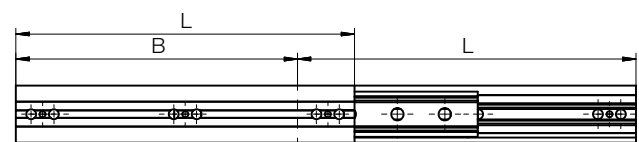
NT-60-"L" - Total extension



NT-60-"L"-"L+max. 20" - Overextension



NT-60-"L"-"B" - Partial extension



Tip:

F_{max} calculated using this formula allows an easy manual use. Higher loads can be taken up by the system, but need a higher drive force.

Dimensions [mm]

Part No.	b	H	C4	C5 = C6		L	
				min.	max.	min.	max.
NT-60-... mm	60	24	150	25	99.5	200	1,000
NT-60-AR New	60	24	150	25	99.5	200	1,000

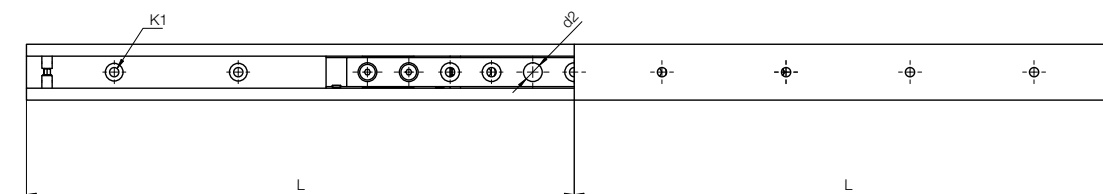
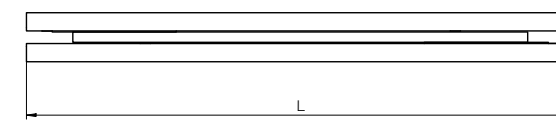
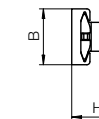
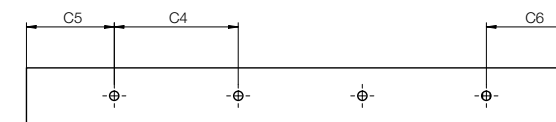
Telescopic rails with prism carriages



- Consistent telescopic rail due to spring pre-load mechanism
- Constant drive forces with various
- Spring pre-load
- Extension lengths in 50mm increments

Order key

Type	Size
N T V - 27	
drylin® N	Telescopic system
	Pre-loaded
	Rail width



Dimensions [mm]

Part No.	d2	K1 Ø	B	H	C4	C5 = C6		L	
						min.	max.	min.	max.
NTV-27 New	9	4.5	27	23.7	60	25	49.5	150	500



Order example:

NTV-27-300: drylin® N telescopic rail with locking mechanism, 27mm width, retracted length 300mm



drylin® stop motion full product range online

► www.igus.eu/drylinstopmotion

Telescopic rails made of solid plastic



- 100% self-lubricating with iglidur® high-performance polymers
- Rattle-free and quiet due to pretensioning segments

Order key

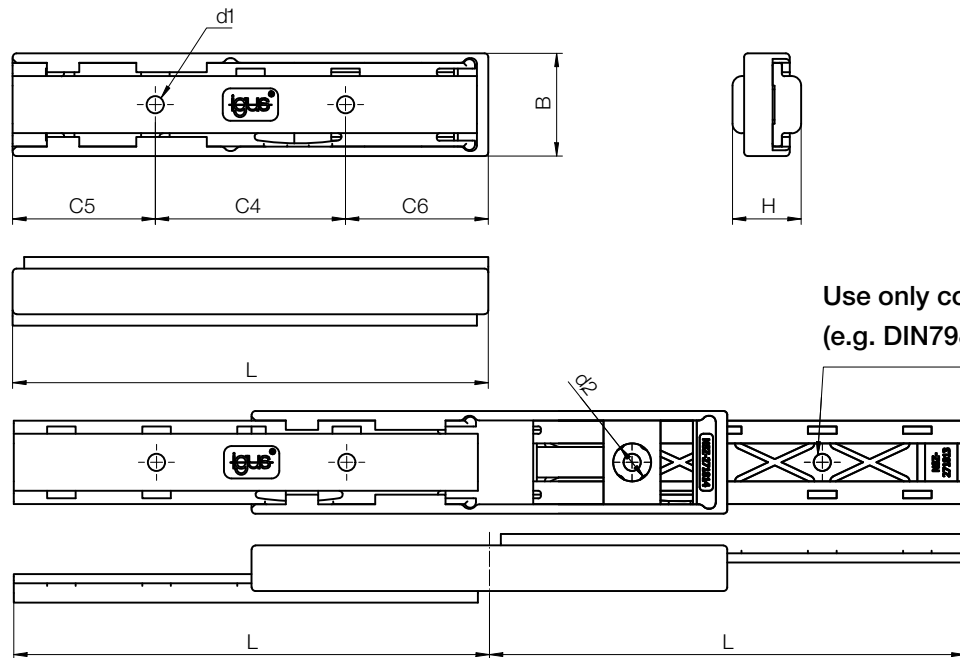
Type Size

N T P -27-18-□-125

drylin® N	Telescopic system	Polymer	Rail width	Rail height	Colour	Length
-----------	-------------------	---------	------------	-------------	--------	--------

Colour options:

01: anthracite, 02: white, 03: light grey, 04: blue, 05: orange



Dimensions [mm]

Part No.	d	C4	C5 = C6	B	H	d2	L	Weight [g]
NTP-27-18-□-125 New	4.5	50	37.5	27	18	10	125	45
NTP-27-18-□-150 New	4.5	75	37.5	27	18	10	150	53

Forces - installation situation

	Fsx	Fsy	Fsz	F
Fmax. [N]	40	8	12.5	-
F [N]	-	-	-	27

Order example:
NTP-27-125: drylin® N telescopic rail with locking mechanism, 27mm width, retracted length 125mm

drylin® stop motion full product range online ►
www.igus.eu/drylinstopmotion

158 Online tools and more information ► www.igus.eu/drylinN



drylin® linear technology - drylin® T rail guides

Robust linear guides

Adjustable bearing clearance

Wear-resistant and durable

Dimensionally identical to recirculating
ball-bearing guides

Lubrication and maintenance-free



Resistant to dirt, low vibration, quiet, long service life



Profile rail with hard-anodised surface

All steel parts are made of durable stainless steel

Clear, anodised aluminium carriage body

Sliding elements made from high-performance polymer iglidur® J and J200 serve as a guide bearing and ensure optimum running properties

End cap made of solid plastic or stainless steel

Adjustable bearing clearance

Lubrication-free rail guides - drylin® T

drylin® T rail guides were originally developed for applications in both automation and materials handling. The goal was to create a robust linear guide for use in the most diverse, even extreme environments. Their dimensions are identical to most recirculating ball bearing guides.

- 100 % lubrication-free
- Adjustable bearing clearance
- Automatic clearance adjustment
- High static load capacity
- Service life up to 50,000km
- Resistant to dirt
- Low vibration and quiet

Typical application areas

- Mechanical engineering
- Woodworking industry
- Machine tools
- Handling

Available from stock
Detailed information about delivery time online.

Price breaks online
No minimum order value. No minimum order quantity

Max. +90°C
Min. -40°C

7 carriage types
Rail length up to 4,000mm

Service life calculation
▶ www.igus.eu/drylin-expert

Cleanroom certified
IPA Fraunhofer

Free from toxins
2011/65/EU (RoHS)

ESD-compatible
(electrostatic discharge)

EN 09/2023



Dimensionally identical to most recirculating ball-bearing guides



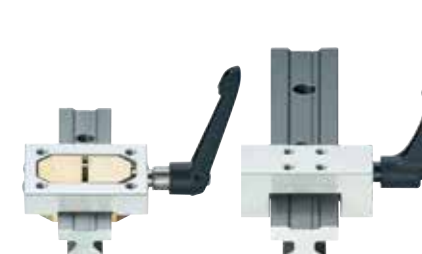
Performance

- 50% longer service life due to iglidur® J200 sliding elements
 - Fast assembly
 - Adjustable bearing clearance
- ▶ **From page 167**



Heavy duty

- Robust design, factory clearance adjustment
 - Long service life with iglidur® J sliding elements
 - Fast assembly
- ▶ **Page 171**



Clamps

- Compact or heavy duty design
 - Available for installation sizes 15-30mm
 - Holding force up to 500N
- ▶ **Page 173**



Standard / with manual clamp

- Manual clearance adjustment on the carriage
 - Long service life with iglidur® J sliding elements
 - Manual clamp on carriage (optional)
- ▶ **From page 168**



Compact

- Narrow guide carriages for small spaces
 - Captive plastic sliders
 - Corrosion-resistant
- ▶ **Page 172**



drylin® T rails

- Lightweight, aluminium extruded section
 - Robust and corrosion-resistant hard-anodised surfaces
 - Shaft length delivered with millimetre precision up to max. 4,000mm
- ▶ **Page 166**



Automatic

- Automatic clearance adjustment
 - Easy assembly with pre-load key
 - Long service life with iglidur® J sliding elements
- ▶ **Page 169**



Miniature guides / adjustable miniature guides

- Small compact design
 - Easy to fit
 - Clearance adjustment or pre-load (optional)
- ▶ **Page 174**



Based on drylin® T

- drylin® SLT linear module
- ▶ **From page 569**

EN 09/2023



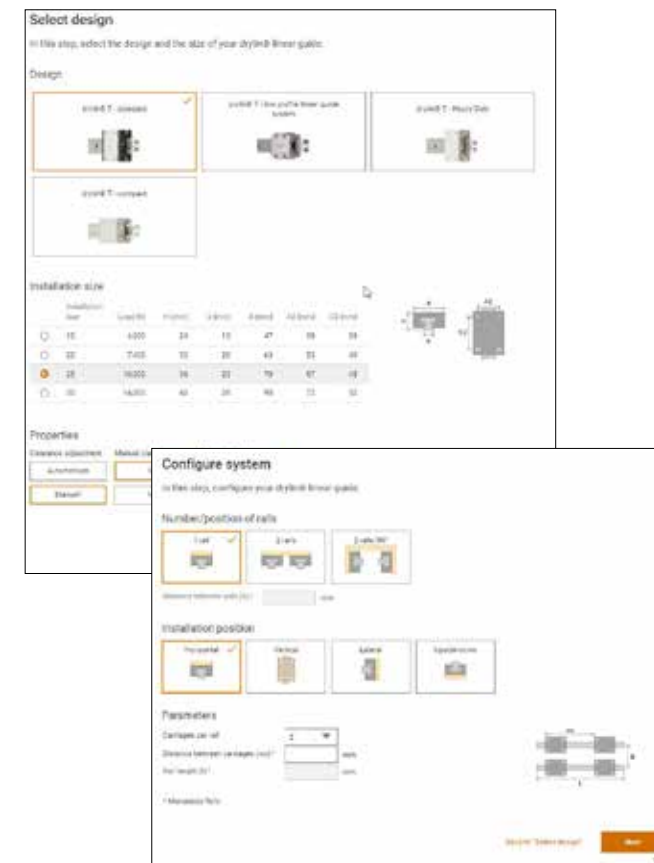


Long service life and food grade quality are also prerequisites for the application like insensitivity to pungent detergents and humidity.

The adjustment of the pressing roller and the compensation of the imbalance of the grinding tools are implemented with drylin® T in place of recirculating ball bearing guides.



The drylin® T linear guides are used in these enveloping machines to guide an envelope suction opener that is mounted on one side.



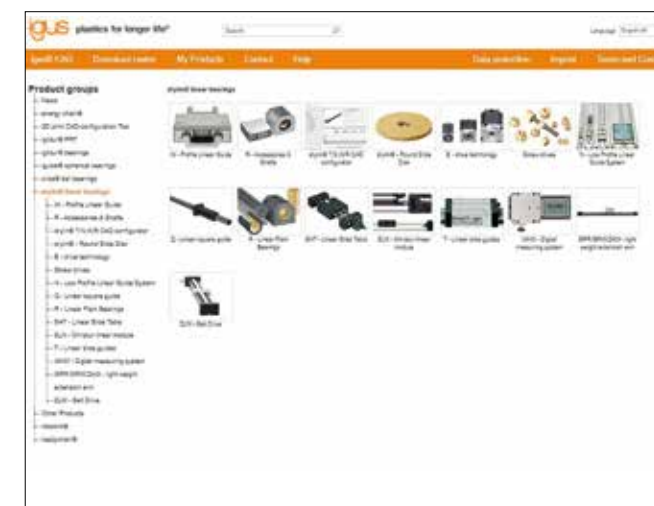
Expert for linear guides: System selection and service life calculation with CAD

Configure and calculate the service life of linear bearings - constantly expanded by new sizes and products

Easily calculate the service life of your required linear guide and configure with a few clicks. Select a drylin® system and add the relevant environmental parameters. Select the bearing size, carriage, number and position. Then enter the distance between the rails and the mounting. Define the coordinates for the drive location and the centre of gravity, or enter these via the keyboard. Define the weight, acceleration, and distance of the bearing and select a rail length. The results are displayed.



► www.igus.eu/drylin-expert

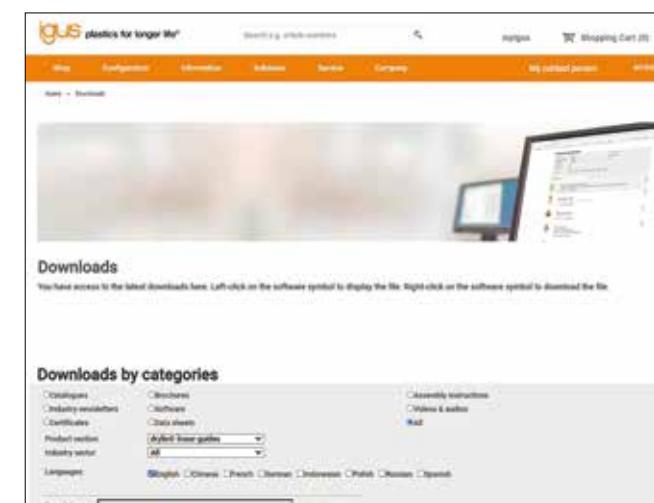


drylin® CAD configurator: Generate complete 3D models for drylin® linear technology according to your specifications

The igus® CAD online configurator gives you the ability to design and save your linear guide as a system, individual components directly as a 3D model in all commonly used formats, or to have these sent by e-mail - free of charge and without registration.



► www.igus.eu/drylin-CAD



More information about the products can be found in the igus® download area

- Assembly instructions
- Assembly videos
- System design
- Catalogues



► www.igus.eu/downloads

Design tip

The compensation of parallelism errors up to a maximum of 0.5mm between mounted rails is possible with a fixed/floating bearing. During installation, take care that the floating bearing has approximately the same clearance on both sides.

In the adjacent designs you can see the version of the fixed/floating bearing system recommended by us.

The mounting surfaces of the rails and guide carriages should be very flat (e.g. machined surface) to prevent twisting in the system. Small discrepancies in the mounting surfaces can be compensated up to a certain amount (0.5mm) by a greater clearance adjustment. The clearance adjustment is possible only in unloaded state. If you have any questions on design and/or assembly, please make use of our technical support.

Technical details on floating bearings

► Page 50

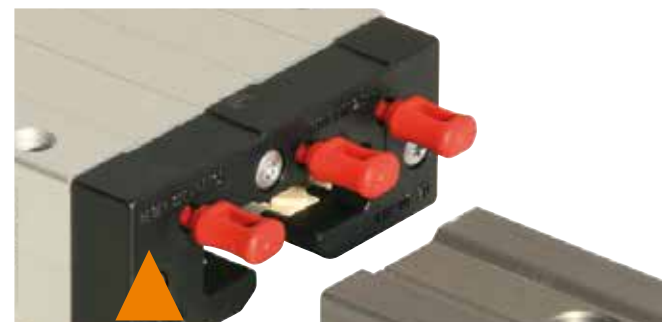
The 2:1 Rule ► Page 50

Installation drylin® T linear guide system

Make sure to assemble the side of the carriage saying "Reset Clearance" onto the rail first (see picture).



TW series, adjustable clearance



TWA series, automatic

Tightening torque for drylin® metallic screws

Metric thread (Da)	tightening torque [Nm]	Recommended tightening torque [Nm]
M3	0.5 - 1.1	0.7
M4	1.0 - 2.8	1.5
M5	2.0 - 5.5	3.0
M6	4.0 - 10.0	6.0
M8	8.0 - 23.0	15.0
M10	22.0 - 46.0	30.0

Minimal screw-in depth for aluminium and zinc die-casting parts: 1.5 x Da

Floating bearing clearances for drylin® T miniature guides

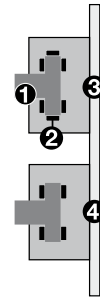
LLZ: Floating bearing in z-direction

LLY: Floating bearing in y-direction

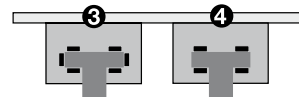
Floating bearing clearances	TW-04-07	TW-04-09	TW-04-12	TW-04-15
LLY	–	0.4	0.5	0.7
LLZ	0.4	0.4	0.5	0.7

Version with floating bearing in z-direction

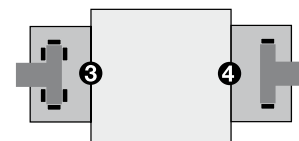
- 1 Rail
- 2 Sliding elements
- 3 Carriage with fixed bearings
- 4 Carriage with floating bearings LLZ or LLY



Horizontal version with floating bearing in z-direction



Horizontal version with floating bearing in the y-direction and lateral guide carriage



Guide rail	
Material	Aluminium, extruded section
Material	EN AW-6060 T66
Coating	Hard-anodised aluminium, 50µm
Hardness	500 HV
Guide carriages	
Base structure	Aluminium, extruded section
Material	EN AW-6060 T66
Coating	Anodised aluminium
Sliding elements	Maintenance-free plain bearings materials iglidur® J, iglidur® J200 (TW-12/TW-04-07)
Bolts, springs	Stainless steel
Lid	Plastic (TW-01/TWA-01), steel (TW-02)/TW-03/TW-12
Max. surface speed	5m/s
Temperature range	from -40°C up to +90°C

Table 01: drylin® - technical data

Type	C _{0Y} [kN]	C _{0(-Y)} [kN]	C _{0Z} [kN]	M _{0X} [Nm]	M _{0Y} [Nm]	M _{0Z} [Nm]
04-07	0.2	0.2	0.1	1.2	0.6	0.6
04-/14-09	0.48	0.48	0.24	3.4	1.8	1.8
04-/14-12	0.96	0.96	0.48	9.2	4.4	4.4
04-12 (TWE)	0.48	0.48	0.24	4.6	2.2	2.2
04-/14-15	1.4	1.4	0.7	17	8	8
04-15 (TWE)	0.7	0.7	0.35	8.5	4	4
01-/12-15	4	4	2	32	25	25
01-/02-/12-20	7.4	7.4	3.7	85	45	45
01-/02-/03-/12-25	10	10	5	125	65	65
01-/02-/12-30	14	14	7	200	100	100

Table 02: drylin® - permissible static load capacity

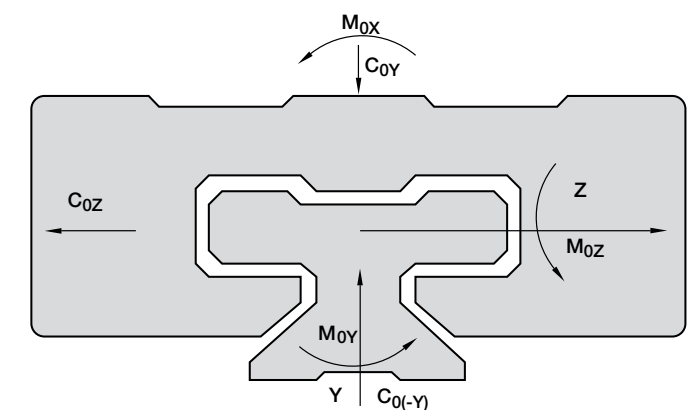


Diagram 01: Marking of the directions

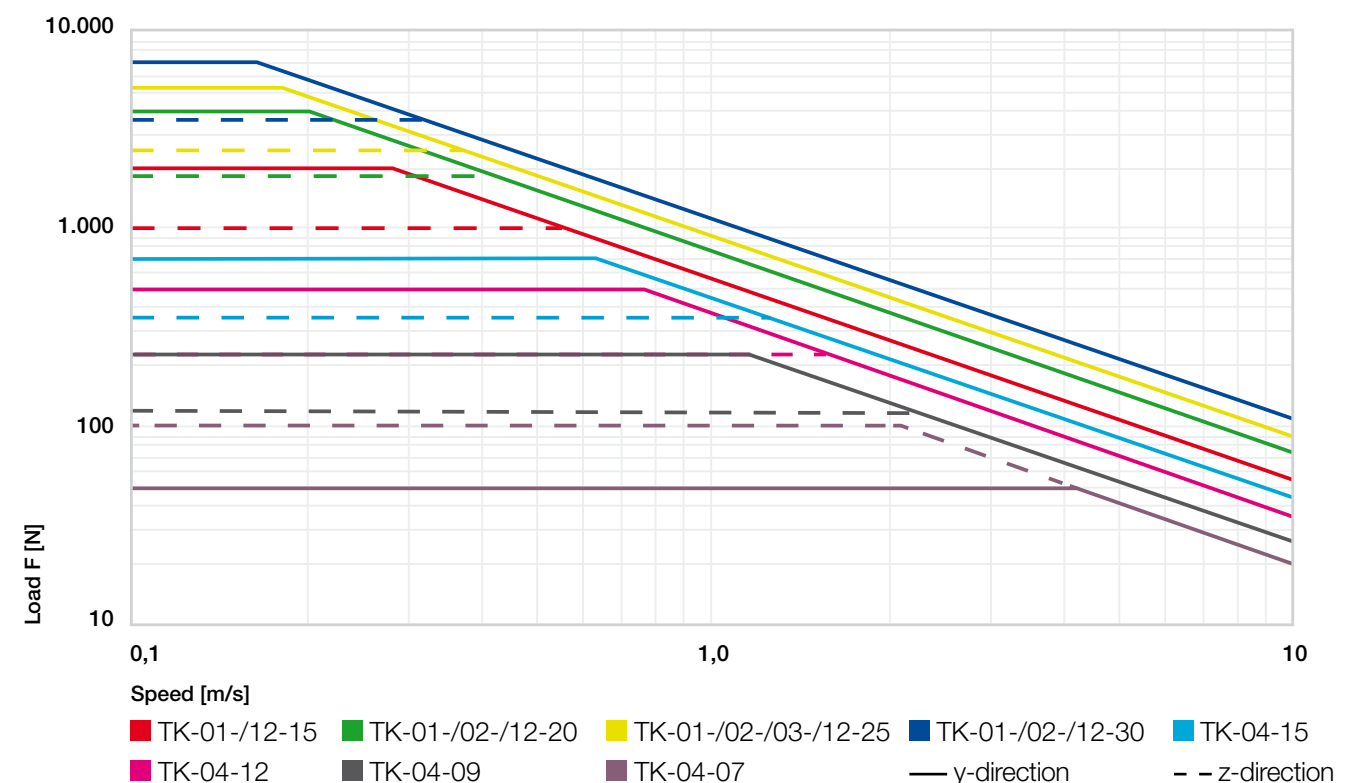
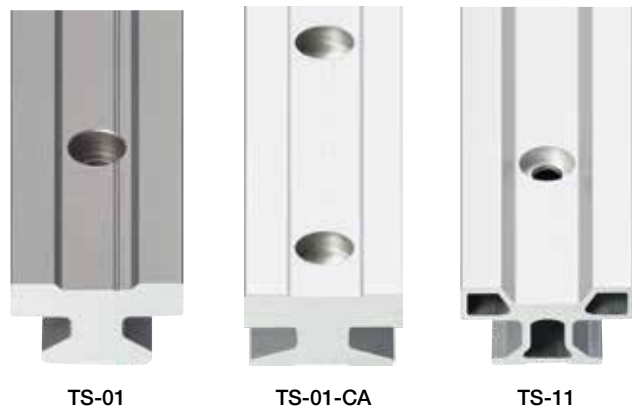


Diagram 02: drylin® T - permissible dynamic load capacity



TS-01

TS-01-CA

TS-11

Order key

Type Options

TS-01-15-1000-CA

- Guide rail
- Standard
- Installation size
- Rail length [mm]
- Aluminium, clear anodised

Options:

TS-01: Standard rail, hard-anodised

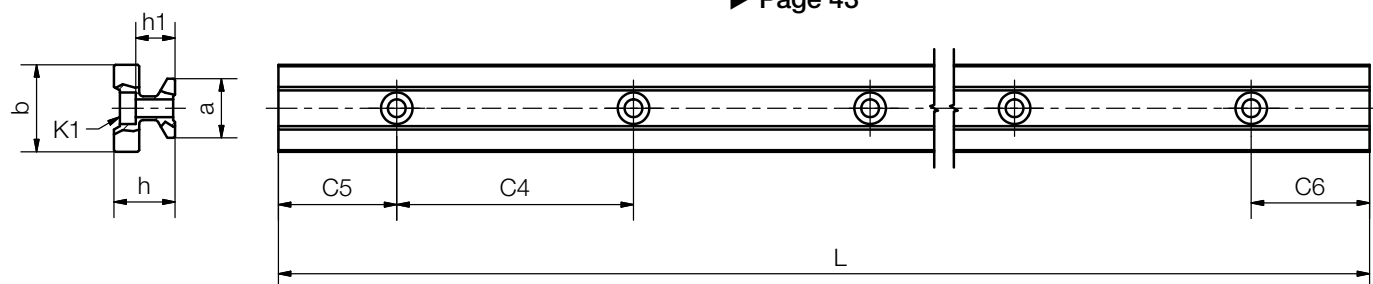
TS-01-CA: Clear anodised aluminium/econ version

TS-11: Weight-reduced rail, clear-anodised

Hard-anodised surfaces

► Page 43

Curved rail profiles
► Page 48



Dimensions [mm]

Part No.	Weight [kg/m]	L	a	C4		C5		C6		h	h1	K1 for screw DIN 912	b	ly	lz	Wby	Wbz
				max.	-0.2	min.	max.	min.	max.								
TS-01-15	0.6	4,000	15	60	20	49.5	20	49.5	15.5	10.0	M4	22	6,440	4,290	585	488	
TS-01-15-CA New	0.6	4,000	15	60	20	49.5	20	49.5	15.5	10.0	M4	22	6,440	4,290	585	488	
TS-01-20	1.0	4,000	20	60	20	49.5	20	49.5	19.0	12.3	M5	31	22,570	11,520	1,456	1,067	
TS-01-20-CA New	1.0	4,000	20	60	20	49.5	20	49.5	19.0	12.3	M5	31	22,570	11,520	1,456	1,067	
TS-11-20	0.5	4,000	20	120	20	79.5	20	79.5	19.0	12.3	M5	31	12,140	6,360	780	620	
TS-01-25	1.3	4,000	23	60	20	49.5	20	49.5	21.5	13.8	M6	34	34,700	19,300	2,041	1,608	
TS-01-25-CA New	1.3	4,000	23	60	20	49.5	20	49.5	21.5	13.8	M6	34	34,700	19,300	2,041	1,608	
TS-01-30	1.9	4,000	28	80	20	59.5	20	59.5	26.0	15.8	M8	40	70,040	40,780	3,502	2,832	
TS-01-30-CA New	1.9	4,000	28	80	20	59.5	20	59.5	26.0	15.8	M8	40	70,040	40,780	3,502	2,832	

Standard hole pattern symmetric C5 : C6

For rails without mounting holes, please use part number suffix "UNGEBOHRT"

Can be combined with:



Technical data
► Page 165

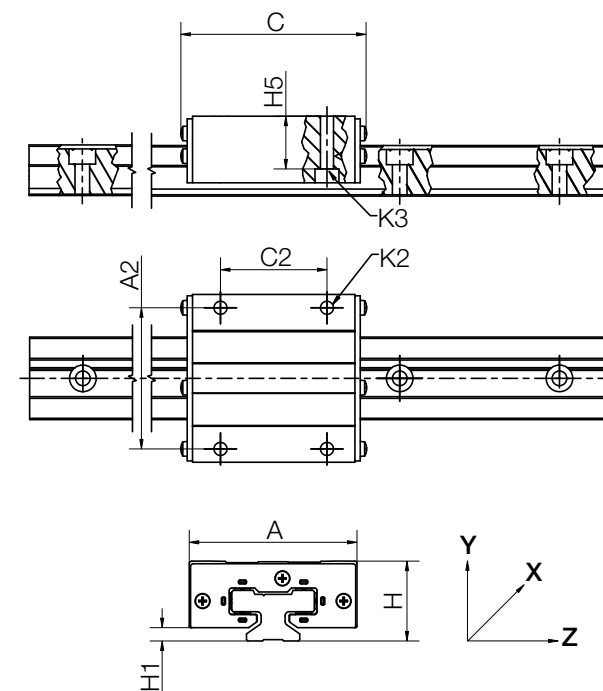


Order key

Type

TW-12-15

- Guide carriages
- Performance
- Installation size



Dimensions [mm]

Part No.	Weight [kg]	H ±0.35	H5	A	C	A2	C2	H1 ±0.35	K2 thread	K3 for cap screw	Sliding elements
TW-12-20	0.19	30	19.8	63	72	53	40	5.0	M6	M5	iglidur® J200
TW-12-25	0.29	36	24.8	70	82	57	45	5.0	M8	M6	iglidur® J200
TW-12-30	0.50	42	27.0	90	94	72	52	6.5	M10	M8	iglidur® J200

Can be combined with:



Technical data
► Page 165



TW-01

Complete system
online

Order key

Type

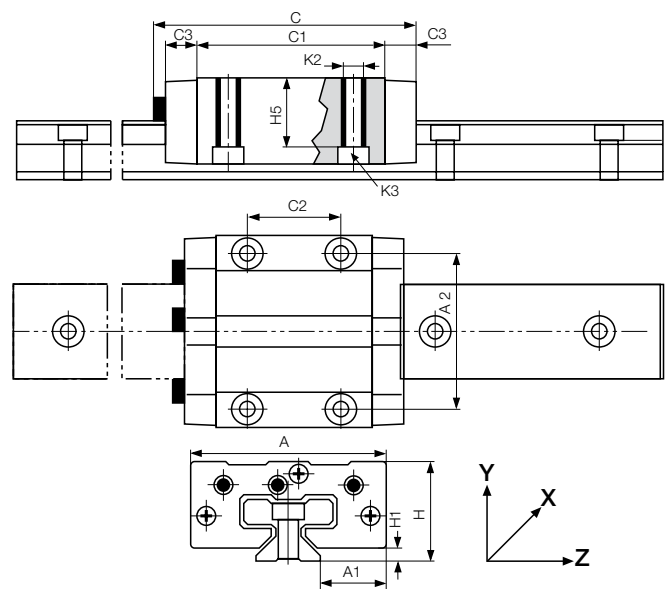
TW-01-15

Guide carriages
Standard
Installation size

Options:

LLY: Floating bearing in y-direction

LLZ: Floating bearing in z-direction



Dimensions [mm]

Part No.	Weight [kg]	H ±0.35	A	C	A1 ±0.35	A2	C1	C2	C3	H1 ±0.35	H5	K2 thread	Tightening torque max. [Nm]	K3 for screw DIN 912
TW-01-15	0.11	24	47	74	16.0	38	50	30	9	4.0	16.0	M5	1.5	M4
TW-01-20	0.19	30	63	87	21.5	53	61	40	10	5.0	19.8	M6	2.5	M5
TW-01-25	0.29	36	70	96	23.5	57	68	45	11	5.0	24.8	M8	6.0	M6
TW-01-30	0.50	42	90	109	31.0	72	79	52	12	6.5	27.0	M10	15.0	M8



All elements can be ordered individually or as assembled systems

TW-01-20-LLY: Standard guide carriage with manually adjustable clearance, installation size 20 and floating bearing in y-direction

TK-01-20-2-500: Complete system with two standard guide carriages type 01, installation size 20 and standard guide rail, 500mm length

Can be combined with:



TS-01-...

Technical data
▶ Page 165



TWA-01

Complete system
online

Order key

Type

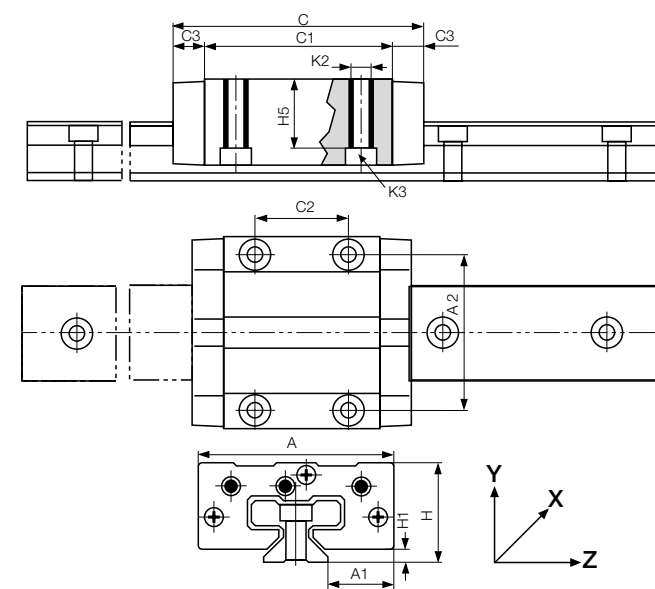
TWA-01-15

Guide carriages
Automatic version
Standard
Installation size

Options:

LLY: Floating bearing in y-direction

LLZ: Floating bearing in z-direction



Dimensions [mm]

Part No.	Weight [kg]	H ±0.35	A	C	A1 ±0.35	A2	C1	C2	C3	H1 ±0.35	H5	K2- Thread	Tightening torque max. [Nm]	K3 for screw DIN 912
TWA-01-15	0.11	24	47	68	16.0	38	50	30	9	4.0	16.0	M5	1.5	M4
TWA-01-20	0.19	30	63	81	21.5	53	61	40	10	5.0	19.8	M6	2.5	M5
TWA-01-25	0.29	36	70	90	23.5	57	68	45	11	5.0	24.8	M8	6.0	M6
TWA-01-30	0.50	42	90	103	31.0	72	79	52	12	6.5	27.0	M10	15.0	M8



All elements can be ordered individually or as assembled systems

TWA-01-20-LLY: Guide carriage with automatic clearance adjustment, installation size 20 and floating bearing in y-direction

TKA-01-20-2-500: Complete system with two standard guide carriages type 01, automatic clearance adjustment, installation size 20 and standard guide rail, 500mm length

Can be combined with:



TS-01-...

Technical data
▶ Page 165



TW-01-HKA

Complete system
online

Order key

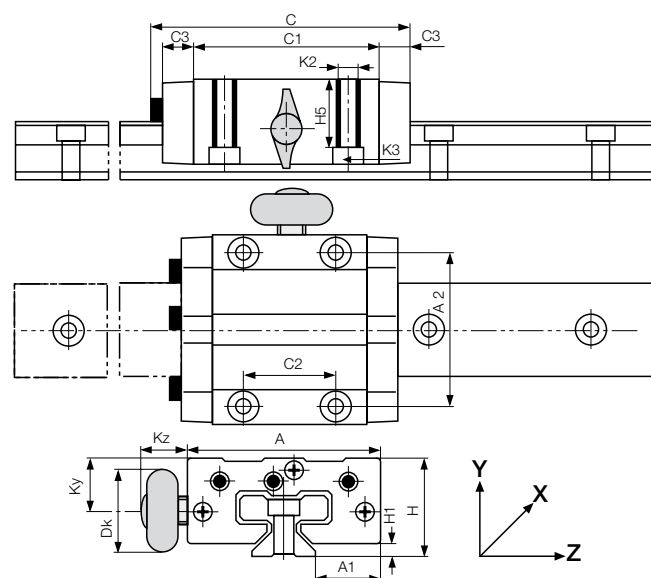
Type Options

TW-01-15-HKA

Guide carriages

- Standard
- Installation size
- Manual clamp

Other dimensions as standard design
TW-01-... ▶ Page 169



Dimensions [mm]

Part No.	Size	Kz	Ky	Dk	Manual clamp thread
TW-01-15-HKA	15	19.0	11.5	20.0	M6
TW-01-20-HKA	20	18.0	15.0	28.0	M8
TW-01-25-HKA	25	17.0	19.0	28.0	M8
TW-01-30-HKA	30	20.0	21.5	28.0	M8

All elements can be ordered individually or as assembled systems

TW-01-20-HKA: Guide carriage with manually adjustable clearance, installation size 20 and manual clamp

TK-01-20-HKA-2-500: Complete system with two standard guide carriages type 01 with manual clamp, installation size 20 and standard guide rail, 500mm length

The manual clamp was developed for simple tasks. The creep behaviour of the clamped plastic causes a reduction in clamping force over time (up to 70%), so no safety-relevant parts should be clamped. Please contact our technical consultant, if you require other options for the clamping.

Can be combined with:



TS-01-...

Technical data
▶ Page 165



TW-02

Complete system
online

Order key

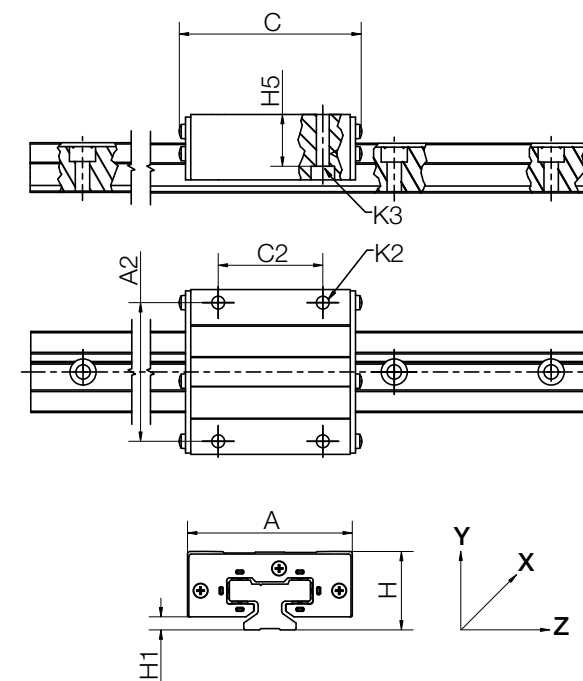
Type

TW-02-20

Guide carriages

- Heavy duty
- Installation size

Floating bearing upon request



Dimensions [mm]

Part No.	Weight [kg]	H ±0.35	H5	A	C	A2	C2	H1 ±0.35	K2	K3
TW-02-20	0.19	30	19.8	63	70	53	40	5.0	M6	M5
TW-02-25	0.29	36	24.8	70	77	57	45	5.0	M8	M6
TW-02-30	0.50	42	27.0	90	92	72	52	6.5	M10	M8

All elements can be ordered individually or as assembled systems

TW-02-20: Heavy duty guide carriage, installation size 20

TK-02-20-2-500: Complete system with two heavy duty guide carriages type 02, installation size 20 and standard guide rail, 500mm length

Can be combined with:



TS-01-...

Technical data
▶ Page 165



TW-03



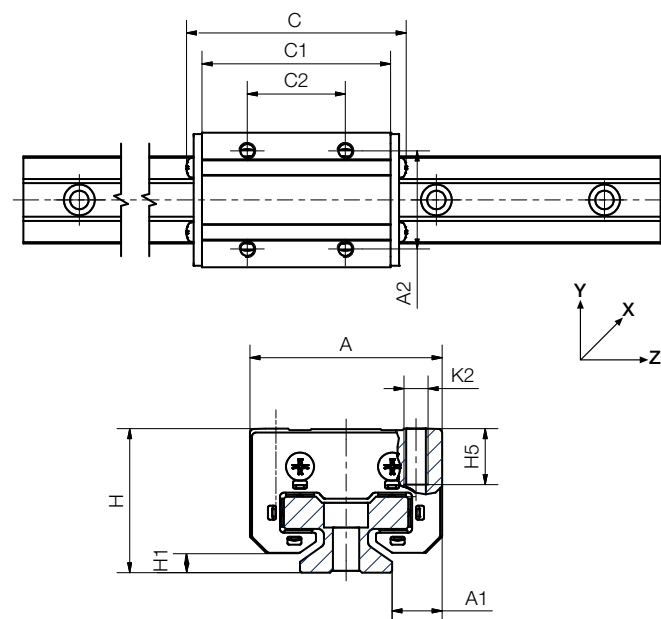
Complete system online

Order key

Type

TW-03-25

- Guide carriages
- Reduced weight
- Installation size



Dimensions [mm]

Part No.	Weight [kg]	H ±0.35	A	C	A1	A2	C1	C2	H1 ±0.35	H5	K2	Tightening torque max. [Nm]
TW-03-25	0.16	36	48	81	14	35	67.4	35	5	13	M6	6.0



All elements can be ordered individually or as assembled systems

TW-03-25: Compact guide carriage, installation size 25

TK-03-25-2-500: Complete system with two compact guide carriages type 03, installation size 25 and standard guide rail, 500mm length

Can only be combined with:



TS-01-20



TS-11-20

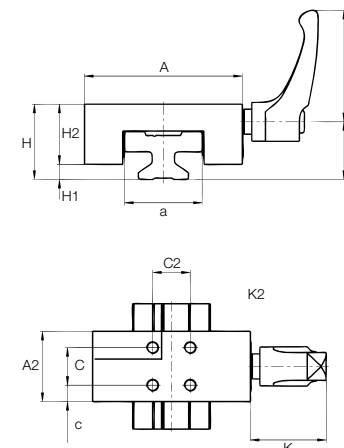
Technical data
▶ Page 165

Compact design

Plastic clamping elements



TWBM-11



Dimensions [mm]

Part No.	Clamp force [N]	A	a	A2	H	H1	H2	K	K2	C	C2	c	lg	b
TWBM-11-15	180	47	22	23	24	4	20	30	M4	15	15	4	44	18.9
TWBM-11-20	180	63	31	28	30	5	24	30	M5	15	15	6.5	44	23.0
TWBM-11-25	400	70	34	35	36	5	31	39	M6	20	20	7.5	63.63	26.2
TWBM-11-30	500	90	40	38	42	6.5	35.5	47	M6	20	20	9	78	32.4

Order key

Type

TWBM-11-15

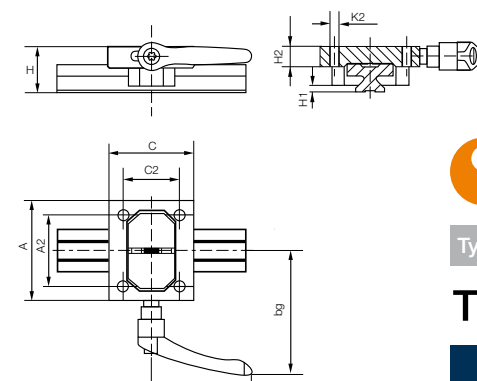
- Manual clamp
- Compact
- Installation size

Standard design

with brass clamp



TWBM-01



Dimensions [mm]

Part No.	Clamp force [N]	A	A2	H	H1	H2	K2	C	C2	lg	bg
TWBM-01-25	500	80	57	36	5	16	M8	68	45	80	99

Order key

Type

TWBM-01-25

- Manual clamp
- Standard
- Installation size

Can only be combined with:



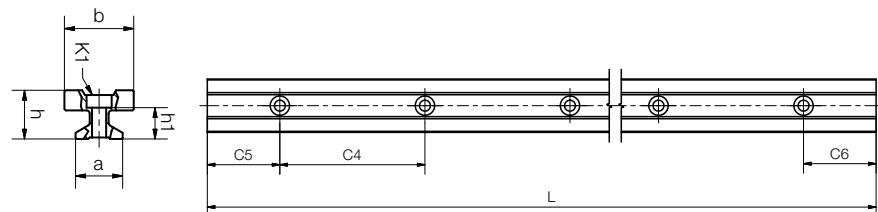
TS-01-...



TS-04



Complete system online



Order key

Type

TS-04-07

- Guide rail
- Miniature
- Installation size

Curved rail profiles
▶ Page 48

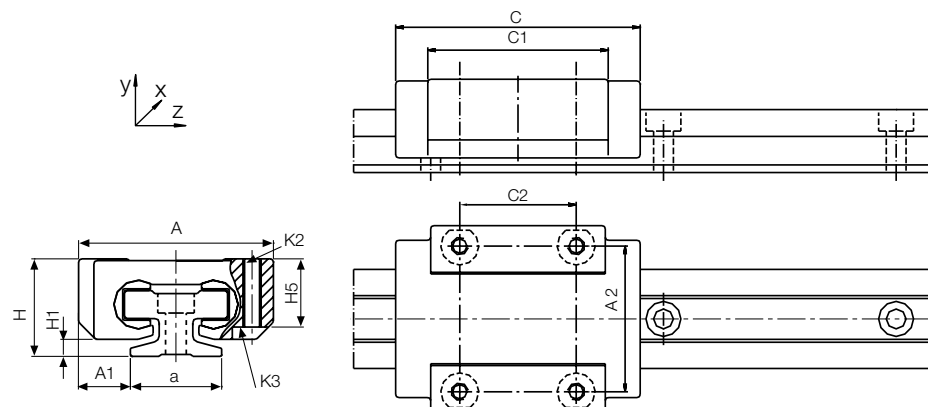
Dimensions [mm]

Part No.	Weight [kg/m]	L max.	a -0.2	C4	C5 min.	C5 max.	C6 min.	C6 max.	h	h1	K1 for screw DIN 912	b	ly [mm²]	lz [mm²]	Wby [mm³]	Wbz [mm³]
TS-04-07	0.08	2,000	7	15	5	12	5	12	5.5	3.7	M2	8	131	90	32	29
TS-04-09	0.11	2,000	9	20	5	14.5	5	14.5	6.3	4.6	M2	9.6	252	169	52	49
TS-04-12	0.20	2,000	12	25	5	17.0	5	17.0	8.6	5.9	M3	13	856	574	132	120
TS-04-15	0.33	3,000	15	40	10	29.5	10	29.5	10.8	7.0	M3	17	2,420	1,410	285	239

Miniature guide carriages with iglidur® E3 liners **New**



TW-14



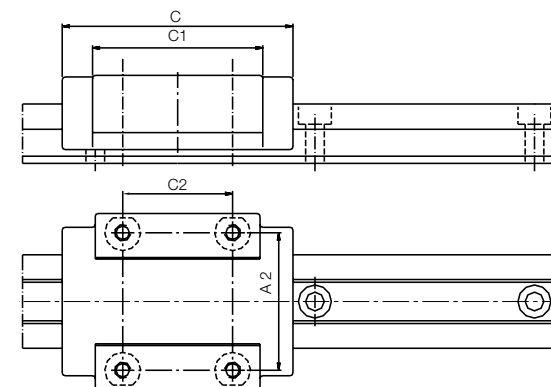
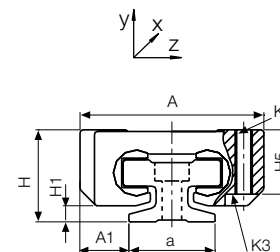
Dimensions [mm]

Part No.	Weight [g]	H ±0.2	A -0.2	C ±0.35	A1	A2	C1	C2	H1 ±0.35	H5	K2 thread	Tightening torque [Nm]	K3 for screw DIN 912
TW-14-09 New	17	10	20	29	5.5	15	18	13	1.7	7.2	M2	0.25	-
TW-14-12 New	34	13	27	34	7.5	20	22	15	2.2	9.5	M3	0.50	M2
TW-14-15 New	61	16	32	42	8.5	25	31	20	2.8	11.0	M3	0.50	M2

EN 09/2023



TW-04



Order key

Type

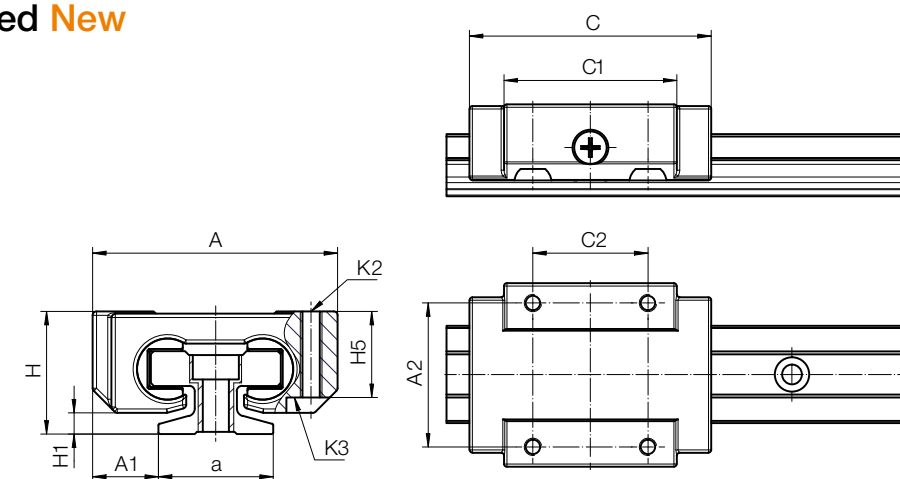
TW-04-07

- Guide rail
- Miniature
- Installation size

Dimensions [mm]

Part No.	Weight [g]	H ±0.2	A -0.2	C ±0.3	A1 ±0.35	A2	C1	C2	H1 ±0.35	H5	K2 thread	Tightening torque [Nm]	K3 for screw DIN 912
TW-04-07	8	8	17	23	5	12	21	8	1.5	-	M2	0.25	-
TW-04-09	17	10	20	29	5.5	15	18	13	1.7	7.2	M2	0.25	-
TW-04-12	34	13	27	34	7.5	20	22	15	2.2	9.5	M3	0.50	M2
TW-04-15	61	16	32	42	8.5	25	31	20	2.8	11	M3	0.50	M2

Miniature guides, pre-loaded **New**



Dimensions [mm]

Part No.	Weight [g]	Pre-load [N]	H ±0.2	A -0.2	C ±0.3	A1 ±0.35	A2	C1	C2	H1 ±0.35	H5	a -0.2	K2 thread	Tightening torque [Nm]	K3 for screw DIN 912
TW-04-09-P30 New	18.0	3	10	20	29	5.5	15	18	13	1.7	7.2	9	M2	0.25	-
TW-04-12-P40 New	36.0	4	13	27	34	7.5	20	22	15	2.2	9.5	12	M3	0.5	M2
TW-04-12-P90 New	36.0	9	13	27	34	7.5	20	22	15	2.2	9.5	12	M3	0.5	M2
TW-04-15-P40 New	64.0	4	16	32	42	8.5	25	31	20	2.8	11.0	15	M3	0.5	M2
TW-04-15-P90 New	64.0	9	16	32	42	8.5	25	31	20	2.8	11.0	15	M3	0.5	M2

EN 09/2023





TWE-04



Complete system
online



Order key

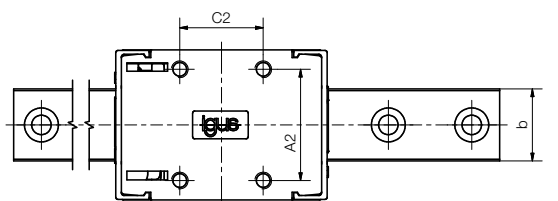
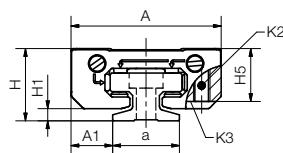
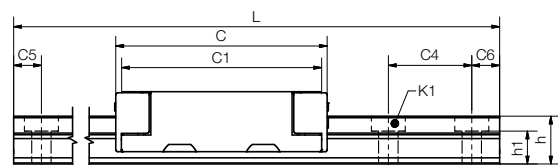
Type

TW E -04-12

Guide carriages	Adjustable clearance	Miniature	Installation size
-----------------	----------------------	-----------	-------------------



High corrosion resistance by
use of e-coating finish



Dimensions [mm]

Part No.	Weight	H	A	C	A1	A2	C1	C2	H1	H5	K2 thread	K3 for screw
	[g]	±0.2	-0.2	±0.3	±0.35				±0.35			DIN 912
TWE-04-12	36	13	27	38	7.5	20	36	15	2.2	9.5	M3	M2
TWE-04-15	61	16	32	45	8.5	25	31	20	2.8	11	M3	M2



Press in, turn, snap into place



Tool: screwdriver with
3mm edge wide



Right side: setting the height
clearance



Left side: setting the lateral
clearance

Can be combined with:



TS-04-...



Technical data
▶ Page 165



drylin® T replacement plastic sliding
elements (set)

Material iglidur® J ▶ www.igus.eu/J-material

Material iglidur® J200 ▶ www.igus.eu/J200-material

Material iglidur® E3



drylin® T end caps for series 01 guide rail
holes:

Guide carriages	Part No. Sliding part set
TW-12-15	TEK-12-15 (J200)
TW-12-20	TEK-12-20 (J200)
TW-12-25	TEK-12-25 (J200)
TW-12-30	TEK-12-30 (J200)
TW-14-09	TEK-14-09 (E3)
TW-14-12	TEK-14-12 (E3)
TW-14-15	TEK-14-15 (E3)
TW-01-15	TEK-01-15 (J)
TW-01-20	TEK-01-20 (J)
TW-01-25	TEK-01-25 (J)
TW-01-30	TEK-01-30 (J)
TW-02-20	TEK-02-20 (J)
TW-02-25	TEK-02-25 (J)
TW-02-30	TEK-02-30 (J)
TW-04-09	TEK-04-09 (J)
TW-04-12	TEK-04-12 (J)
TWE-04-12	TEK-E-04-12 (J)
TW-04-15	TEK-04-15 (J)
TWE-04-15	TEK-E-04-15 (J)

Rail	Part No. End cap
TS-01-15	TSZ-011501
TS-01-20	TSZ-012001
TS-01-25	TSZ-012501
TS-01-30	TSZ-013001

When using the end caps, screws with a low screw
head must be used to attach the rail.

Part No.	F _y max., F _z max. [N]
TW-01/-12-15	2,000
TW-01/-02/-12-20	3,700
TW-01/-02/-03/-12-25	5,000
TW-01/-02/-12-30	7,000

drylin® T - system design

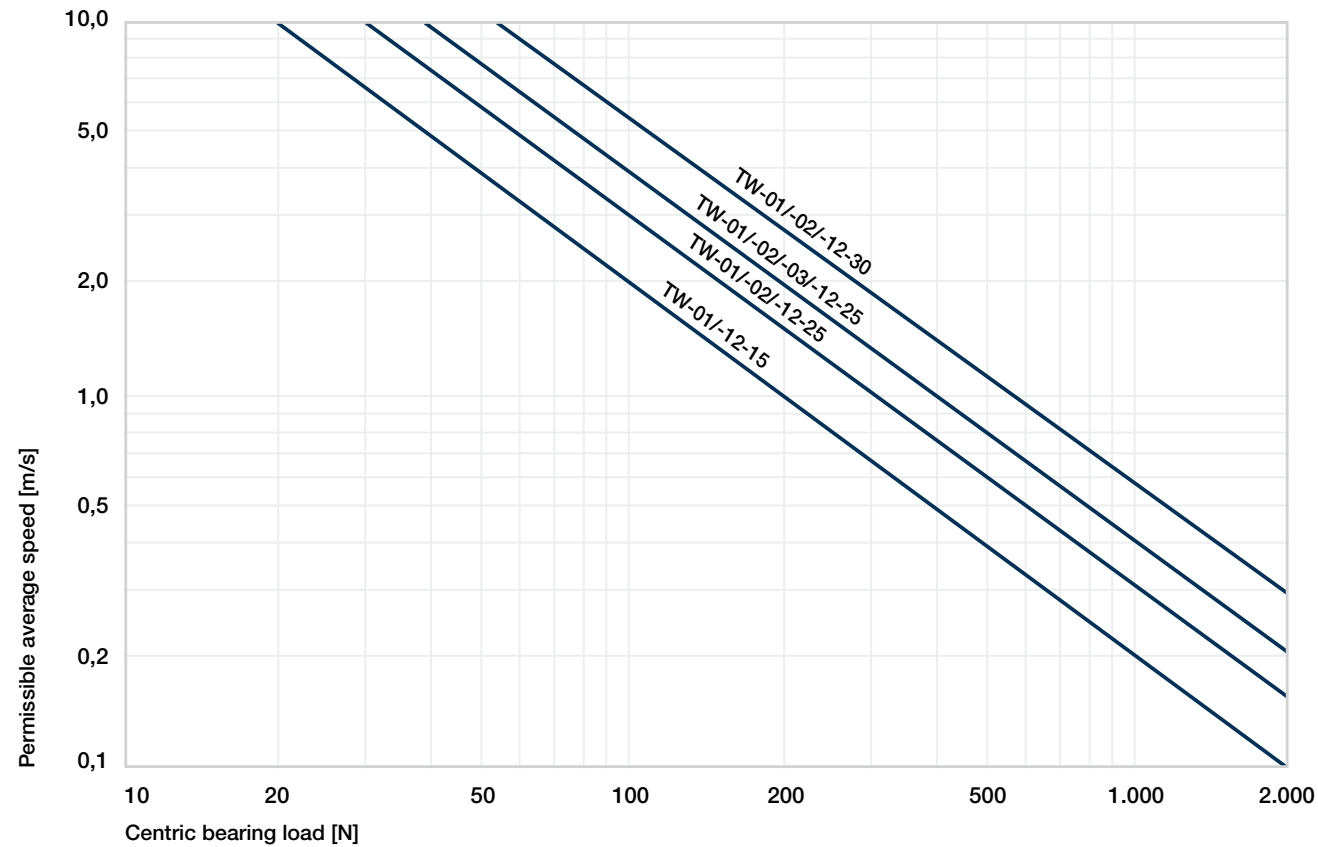


Diagram 04: Determination of the maximum permitted speed for the load



drylin® linear technology - drylin® R shaft guides

Lubrication-free drylin® liners

Resistance to dust and dirt

Low coefficient of friction

Extremely quiet operation

Many adapter and housing options



Extremely wear-resistant, robust in challenging environments and lightweight



Hard-anodised aluminium shafts guarantee optimum running properties

Shafts made from steel, stainless steel or carbon fibre

Shafts and supported shafts available

Linear adapter made from solid plastic or aluminium

Complete housing made from anodised aluminium

drylin® liners made from five different lubrication-free iglidur® high-performance polymers

Hard-anodised aluminium tubes - lightweight

Lubrication-free shaft guides - drylin® R

drylin® R shaft guides are based on extremely wear-resistant polymers specially developed for the linear technology. The dimensions are compatible with standard ball bearings. The special geometry guarantees reliability even in extreme environments.

- 100% lubrication-free
- Dimensionally interchangeable with standard recirculating ball bearings
- Large variety of choice in housing shapes
- Shafts, shaft end blocks and accessories available from stock
- Replaceable liners
- Stainless steel housings available

Typical application areas

- Agricultural machinery
- Automotive
- Medical technology
- Facade construction
- Packaging industry

Available from stock
Detailed information about delivery time online.

Price breaks online
No minimum order value. No minimum order quantity

Max. +200°C
Min. -40°C

Up to Ø 60mm
More dimensions upon request.

Imperial dimensions available
► **From page 746**

Service life calculation
► www.igus.eu/drylin-expert

ESD-compatible
(electrostatic discharge)

Cleanroom certified
IPA Fraunhofer

Free from toxins
2011/65/EU (RoHS)

Dimensions correspond to standard for recirculating ball bearings



Liners and press-fit bearings

- Made from iglidur® high-performance polymers
 - Easy to fit
 - Unaffected by dirt and dust
 - Low coefficient of friction, optimised wear quality
- **Page 188**



W360CM linear plain bearing (precision)

- High rigidity
 - Low bearing clearance
 - Linear bearings or flanged bearings
- **Page 218**



Flanged linear plain bearings

- Pre-assembled housings with drylin® liners
 - Round or square flange
 - Tandem flange housing for additional stability
- **Page 242**



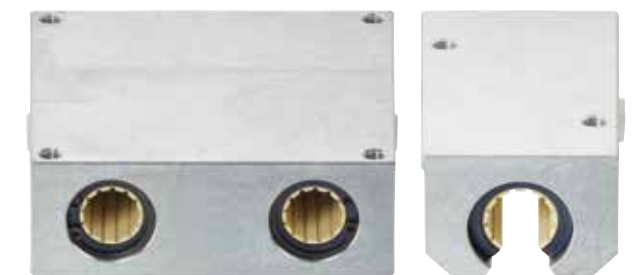
Linear plain bearings

- Dimensionally interchangeable with standard recirculating ball bearings
 - Extremely lightweight solid plastic bearing
 - Aluminium and stainless steel adapters equipped with iglidur® liners
- **Page 210**



Linear bearings and pillow blocks, open/closed design

- For unsupported shafts ► **Page 268**
 - For supported shafts ► **Page 269**
 - Fixed bearing/floating bearing/tandem bearing/clearance adjustment
- **Page 237**



Quad block

- Closed and open design
 - Torque-resistant quad block housing with four linear adapters
 - Also available as tandem housing
- **Page 252**



Cutting table

drylin® R linear plain bearings on supported aluminium shafts are used in this grinder to guide the cutting table. The drylin® components stand for extreme dirt resistance, accurate guidance and smooth operation.

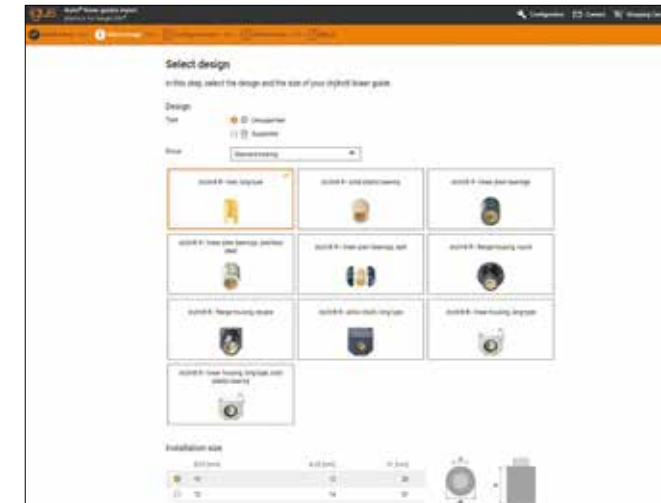
Angle stop in sawmill

Saw mill: linear guide with iglidur® J plastic liner for the angle stops. iglidur® J liners are best suited for most linear applications due to their low wear and low friction properties.



Concrete pipe cutter

The machine now runs entirely free of troubles for multiple years with drylin® RJUM-01 linear bearings despite the extremely heavy-duty operation.



Expert for linear guides: System selection and service life calculation with CAD
Configure and calculate the service life of linear bearings - constantly expanded by new sizes and products

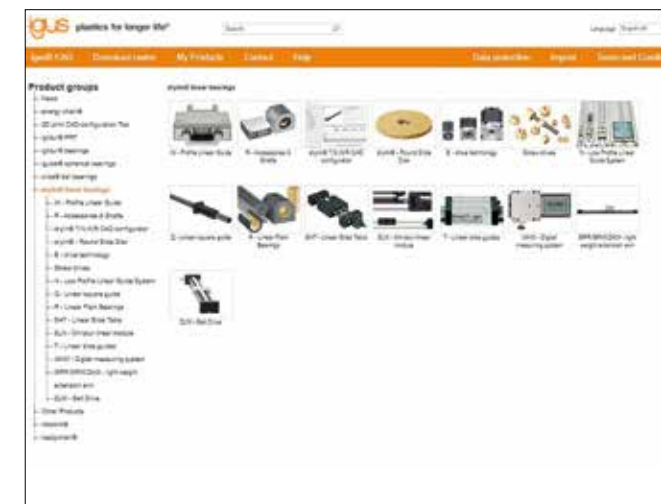
Easily calculate the service life of your required linear guide and configure with a few clicks. Select a drylin® system and add the relevant environmental parameters. Select the bearing size, carriage, number and position. Then enter the distance between the rails and the mounting. Define more relevant parameter of the guidance and select a rail length. The results are displayed.



► www.igus.eu/drylin-expert



Download the online tool
app now

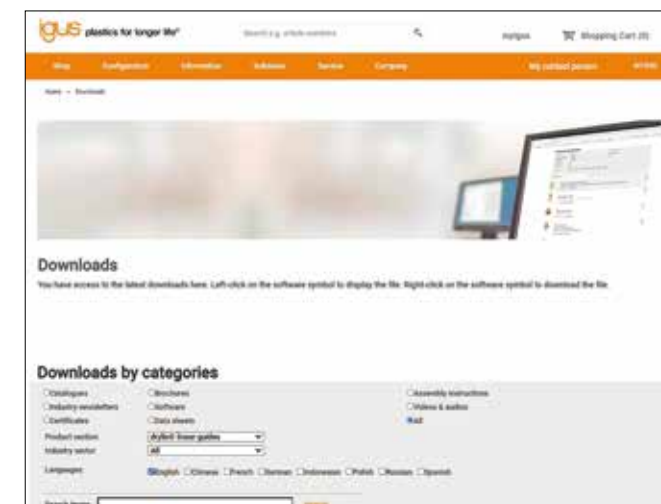


drylin® CAD configurator: Generate complete 3D models for drylin® linear technology according to your specifications

The igus® CAD online configurator gives you the ability to design and save your linear guide as a system, individual components directly as a 3D model in all commonly used formats, or to have these sent by e-mail - free of charge and without registration.



► www.igus.eu/drylin-CAD



More information about the products can be found in the igus® download area

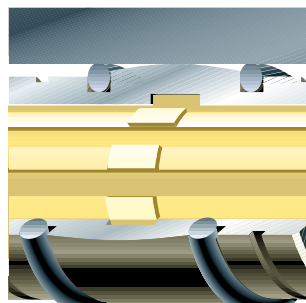
- Assembly instructions
- Assembly videos
- System design
- Catalogues



► www.igus.eu/downloads

drylin® R linear plain bearings

The drylin® standard round bearings consist of an interchangeable iglidur® J liner that is manufactured to be a mechanical fit into an anodised aluminium adapter. The locating spigot of the liner is carried out by a snap ring groove. drylin® R linear plain bearings, made from solid plastic, are dimensionally equivalent to standard ball bearings. They are made entirely out of wear-resistant iglidur® J material and can offer technical advantages in addition to the clear price advantage. Thus, applications in which machine parts are primarily stainless steel, e.g. food and filling equipment, are well suited for the use of solid plastic bearings. An additional weight-saving is also easily obtained. Both versions are designed for the installation in housing holes with the tolerance H7. The mounting is done like in ball bearings with circlips according to DIN 471/472. The narrow design of the O2 series linear plain bearings, is clipped into the H7 housing hole. Standard commercial 2-component adhesives can be used for this purpose.









Dirt, dust, fibres

An important feature of all the available linear bearings is their tolerance of dirt. For most systems the application of wipers or seals is recommended for even low dirt accumulation. No other system features such a high safety with dust, lint and coarse dirt as drylin®. The patented design of the bearing surface using individual slide pads connected by thin film sections, provides performance benefits for dirty environments. Dirt, even when it becomes wet on the shaft, is wiped away by the individual glide pads and is moved into the open areas. The running sections of the drylin® bearing then slide on the shaft that has been cleared of all contaminants.

Split linear bearings

Applications that are on the edge of technical feasibility or in extremely harsh environments often require frequent replacement of the bearings. In many cases, drylin® can give a multiple increase in the service life. However, in extreme applications, replacement of the bearings is necessary, even with drylin®. drylin® linear plain bearings can provide considerable cost reductions in such cases as only the polymer bearing liner has to be replaced. This often means a reduction of more than 90% in replacement part costs. In addition the dismantling of the shafts is avoided.



	 The All-rounder - iglidur® J	 The specialist - iglidur® J200	 The extreme - iglidur® X	 The endurance runner - iglidur® E7	 The FDA-compliant - iglidur® A180	 Blue Sky Thinking FDA/EU-compliant - iglidur® A160
Application temperature	-50 up to +90°C	-50 up to +90°C	-100°C up to +250°C	-50°C up to +70°C	-50 up to +90°C	-50 up to +90°C
Best coefficient of friction with	Steel shaft	Aluminium, hard-anodised	Hard-chromed steel	Steel/stainless steel shaft	Stainless steel shaft	Hardened stainless steel shafts
Volume resistance	> 10 ¹³ Ωcm	> 10 ⁸ Ωcm	< 10 ⁵ Ωcm	> 10 ⁹ Ωcm	> 10 ¹² Ωcm	> 10 ¹² Ωcm
Moisture absorption	1.3% weight	0.7% weight	0.5% weight	< 0.1wt.-%	0.2% weight	< 0.1wt.-%
Maximum service life with	Hard-anodised aluminium	Aluminium, hard-anodised	Hardened stainless steel	Steel/stainless steel shaft	Stainless steel shaft	Hardened stainless steel shafts
Potential counter partner	All shaft materials	Aluminium, hard-anodised	Hardened stainless steel	Steel/stainless steel shaft	All shaft materials	Stainless steel
Permissible stat. surface pressure	35MPa	23MPa	150MPa	18MPa	28MPa	15MPa
Part No.	JUM-...	J200UM-...	XUM-...	E7UM-...	A180UM-...	A160UM-...

The split bearings are easily pulled off the housing and opened. The slotted liner can be simply mounted on the shaft. With this product range of split drylin® bearings, installation times can be reduced to a minimum.

Series L1 - low-clearance press-fit bearings

The series L1 plain bearings are composed of the iglidur® L100 bearing material, an extremely wear-resistant plastic compound. They are sub-divided into a press-fit area and a gliding range. The gliding range is composed of individual crossbars which are linked to each other by thin film bridges. These film bridges compensate the elongation of the bearing through heating or moisture. This separation enables the almost clearance-free design of the bearings, as there is no clamping of the shaft. The cylinder-shaped press-fit area is also visually very distinct from the gliding range. The function of this area, which shows a distinct clearance compared to the shaft, is to fix the bushing firmly in the housing by means of a press fit.



Material properties:

- igidur® J ► www.igus.eu/J-material
- igidur® J200 ► www.igus.eu/J200-material
- igidur® X ► www.igus.eu/X-material
- igidur® E7 ► www.igus.eu/E7-material
- igidur® A160 ► www.igus.eu/A160-material
- igidur® A180 ► www.igus.eu/A180-material
- igidur® L100 ► Seite 775



Compressive strength

igidur® plain bearings are homogeneously filled with solid lubricants. In this way, lubricants cannot be removed, even at high loads. The iglidur® L100 material allows an average static surface pressure of 70MPa. However, only half of the load-bearing surface can carry loads and this is taken into account in the calculation.

Surface speeds

The following table shows possible surface speeds of L1 bearings.

- Extremely wear-resistant
- Low coefficient of friction
- Vibration-dampening
- High static compressive strength
- Good chemical resistance
- Highly resistant to dirt
- Also suitable for soft and rough shafts

igidur® L100	Rotating	Oscillating	linear
Continuous [m/s]	1.5	1.5	3
Short-term [m/s]	3	3	10

Table 02: Maximum surface speed for iglidur® L100

Coefficient of friction

Plain bearings of the L1 series are designed for dry operation against steel. The best results are attained with surface finishes from 0.3 to 0.8Ra. The coefficient of sliding friction reduces with increasing load. Typical coefficient of friction in dry operation are 0.2 to 0.3. But the value can be higher with less suitable shafts.

Operating temperatures

Temperatures affect the compressive strength, the wear and the securing of the bearing in the housing. A firm fit could be determined in all the tests up to a temperature of +70°C. At higher temperatures, an additional securing of the bearing is recommended. With effective securing, L1 plain bearings could also be used at temperatures over +130°C.

igidur® L100	Application temperatures
Minimum	-30°C
Max. long-term	+100°C
Maximum, short-term	+190°C

Table 03: Temperature limits for iglidur® L100

Floating bearings for linear plain bearings

drylin® 03 series linear plain bearings offer great advantages in applications with parallel shafts. With their geometry, they are able to compensate for alignment and parallelism errors and should be used on the shaft located furthest from the drive mechanism. The design provides a spherical area on the outside diameter of the aluminium adapter for self-alignment. Reductions in load capacity are prevented, since the shaft always lies on the total projected surface. Due to the even load distribution over the entire bearing, edge pressure is not possible with the self-aligning drylin® linear bearings. In order to compensate parallelism errors between two shafts, the outer diameter is designed to be smaller than the housing hole diameter by 0.2 to 0.3mm (depending on the size). With the use of mounted O-rings, these bearings have an elastic bearing seat. The clearance between the bearing and housing allows for the maximum compensation of possible shaft miss-alignment.

The drylin® R self-aligning bearings are supplied hard-anodised. These surfaces guarantee the highest wear resistance if the aluminium bearing moves in the housing during compensation adjustments. Another option are the pillow blocks in the OJUM-06 LL and RJUM-06 LL design series. The mounting of the bearing allows a parallelism adjustment between the shafts by ±3mm. The particular suspension of the supporting housing on an axis running in the z-direction enables an angular error compensation of up to 3.5°.

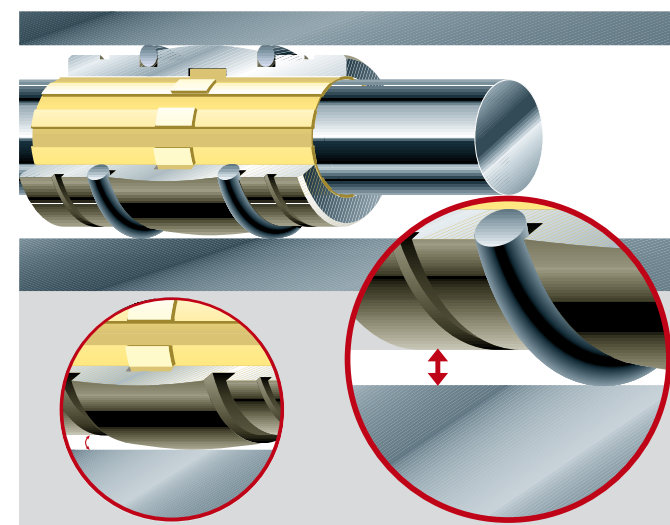


Diagram 02: By defined installation clearance and externally mounted O-rings, the self-aligning drylin® R bearings of the type series 03 can compensate parallelism errors. The spherical drylin® adapter can compensate for parallelism errors. A hard-anodisation protects the aluminium adapter from wear.

Eccentric forces

To ensure successful use of maintenance-free drylin® linear bearings, it is necessary to follow certain recommendations: if the distance between the driving force point and the fixed bearings is more than twice the bearing spacing (2:1 rule), a static friction value of 0.25 can theoretically result in jamming on the guides.

This principle applies regardless of the value of the load or drive force. The friction product is always related to the fixed bearings. The greater the distance between the drive and the guide bearing, the higher the wear and required drive force.

Failure to observe the 2:1 rule during a use of linear plain bearings can result in uneven motion or even system blockage. Such situations can often be remedied with relatively simple modifications. If you have any questions on design and/or assembly, please make use of our technical support.

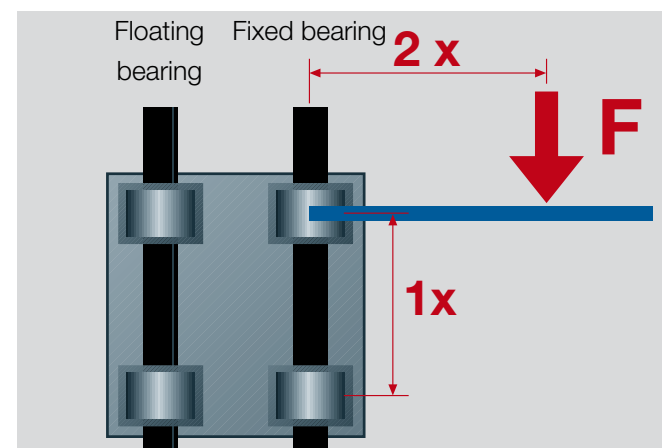


Figure 03: The 2:1 rule



RJUM-06-LL ▶ Page 236
OJUM-06-LL ▶ Page 237

RJUM-03/OJUM-03 series	±0.5°
RJUM-06-LL/OJUM-06-LL series	±3.5°

Table 04: Compensation of misalignment errors

RJUM-03/OJUM-03 series	±0.1mm
RJUM-06-LL/OJUM-06-LL series	±3.0mm

Table 05: Compensation of parallelism errors

drylin® R shaft guides are designed for completely lubrication-free operation. The dimensions of the respective linear adapter and housing meet the standard for recirculating ball bearings. During assembly, please note the following installation instructions:

Design tips for drylin® linear plain bearings:

The mentioned values for "F_{max}." relate to the performance of the iglidur® liners made from high-performance plastics and cannot be used as the only selection tool for the calculation of an application. The maximum carrying capacity of the entire bearing system depends on the geometry, housing shape, the housing material, the connection including the screws used and requires a separate inspection. For a detailed analysis, please use our online configurator at

▶ www.igus.eu/drylin-expert

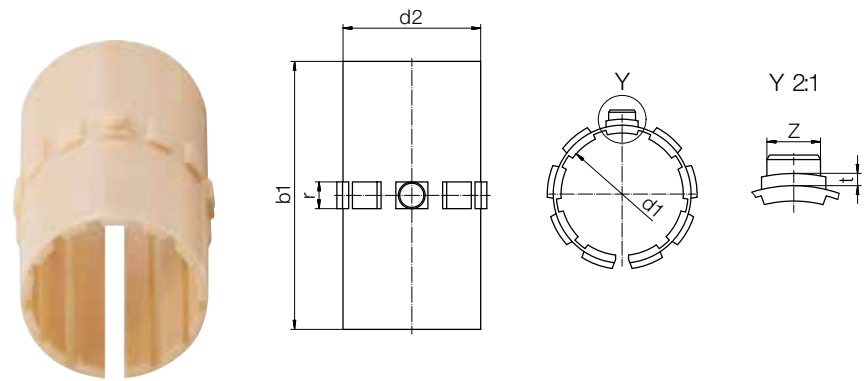
Recommended tolerance for the shaft: h6-h10
Surface roughness [Ra]: 0.15-0.6
Guide shafts round/supported ▶ [Shafts page 263](#)

Recommended housing hole H7
Linear plain bearings RJUM-01/03, TJUM-01/03, RJM, RJMP, RJ260(U)M02, press-fit bearings WLM, WLFM

 <p>Liners: _UM-01, _UMO-01, _UM-11, _UMO-11, _UM-02 ● Interlocking with the housing bore ● Locating spigot is supported by a snap ring groove ● Anti-rotation feature through engagement of the pin in hole Ø z</p>	 <p>Press-fit bearings: WLM, WLFM ● Press-fit installation into the H7 housing hole ▶ Assembly instructions, www.igus.eu/WLM</p>	 <p>Linear plain bearings: RJUM-01, RJUM-11, RJUM-ES, TJUM-01, RJUM-03, TJUM-03, RJUI-01, RJUI-03, TJUI-01, TJUI-03 ● Secured by DIN 471 or 472 circlips, metric types (not included)</p>	 <p>Solid plastic bearings: RJM, RJ-01 ● Fastening with circlips according to DIN 471 or 472 (not included) ● The E9 inner tolerance applies only after the press-fit</p>
 <p>Solid plastic bearings: RJMP ● Easy assembly by soft press-fit ● Secured by DIN 471 or 472 circlips (not included)</p>	 <p>Linear plain bearings: RJUM-02 ● Secured by press-fit in steel housing hole H7 or aluminium housing hole K7 ● Alternatively, the adapter can be glued with commercially available 2-component adhesive into a housing</p>	 <p>Compact bearings: RJ260 (UM-02) ● Locating spigot and press-fit into housing bore H7 ● Alternatively, the adapter can be glued with commercially available 2-component adhesive into a housing</p>	 <p>Linear plain bearings: OJUM-01, OJUM-03, OJUI-01, OJUI-03 ● Adapter secured with set screws (not included)</p>
 <p>Quad blocks: RQA, RGA Tandem design: RTA ● The bearing in the housing is secured by DIN 472 circlips</p>	 <p>Linear housings: RGAS ● The bearing in the housing is secured by DIN 471 circlips</p>	 <p>Quad blocks: OQA, OGA, Linear housings: OGAS, Tandem design: OTA ● The bearings is secured by screws</p>	 <p>Pillow blocks: RJUM/E/T-05, RJUM-06-LL, OJUM/E-06-LL, Flange housings: FJUM/T-01/02, Quad blocks: RGA, OGA, Tandem designs: RTA, OTA, Linear bearings: RGAS, OGAS ● Mounting screws of the housing DIN 912-8.8 ● Circlips according to DIN 7980</p>

drylin® R liners | Product range

Long, closed design for shafts -
made from iglidur® J (the all-rounder)



Order key

Type	Size
J U M -01-10	
igidur® J	
Liner	
Metric	
Standard	
Inner Ø d1	

The all-rounder for all shaft surfaces
in indoor and outdoor applications

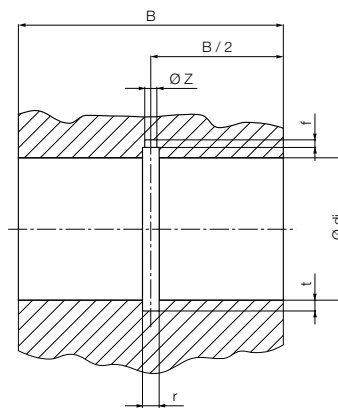
⁷⁸⁾ According to igus® testing method ▶ Page 260
Please note: Installation instructions ▶ Page 187
 Min. -50°C
Max. +90°C

Dimensions [mm]

d1	d1 tolerance ⁷⁸⁾	d2	b1	r	t	Z	Weight [g]	Part No.
10	+0.030 +0.070	12	28	3.0	0.8	2.5	1.10	JUM-01-10
12	+0.030 +0.070	14	31	3.0	0.8	3.0	1.50	JUM-01-12
16	+0.030 +0.070	18	35	3.5	0.8	3.5	2.20	JUM-01-16
20	+0.030 +0.070	23	44	5.0	0.8	3.5	4.90	JUM-01-20
25	+0.030 +0.070	28	57	5.0	0.8	4.0	8.23	JUM-01-25
30	+0.040 +0.085	34	67	5.0	0.8	4.0	14.95	JUM-01-30
35	+0.040 +0.085	39	69	5.0	0.8	4.0	18.20	JUM-01-35
40	+0.040 +0.085	44	79	6.0	1.3	5.0	23.16	JUM-01-40
50	+0.050 +0.150	55	99	7.0	1.3	6.0	45.35	JUM-01-50
60	+0.050 +0.150	65	124	8.0	2.0	6.5	70.00	JUM-01-60⁷⁹⁾

Housing hole for JUM-01 | Dimensions [mm]

Shaft Ø	d1 H7	B h10	r +0.05	t +0.1	f +0.5	Z +0.2	Part No.
10	12	29	3.0	1.0	1.0	2.6	JUM-01-10
12	14	32	3.0	1.0	1.5	3.1	JUM-01-12
16	18	36	3.5	1.0	1.7	3.6	JUM-01-16
20	23	45	5.0	1.0	2.0	3.6	JUM-01-20
25	28	58	5.0	1.0	2.0	4.1	JUM-01-25
30	34	68	5.0	1.0	2.0	4.1	JUM-01-30
35	39	70	5.0	1.0	2.0	4.1	JUM-01-35
40	44	80	6.0	1.5	2.5	5.1	JUM-01-40
50	55	100	7.0	1.5	2.5	6.1	JUM-01-50
60	65	125	8.0	2.5	3.0	6.5	JUM-01-60⁷⁹⁾



⁷⁹⁾ In two parts

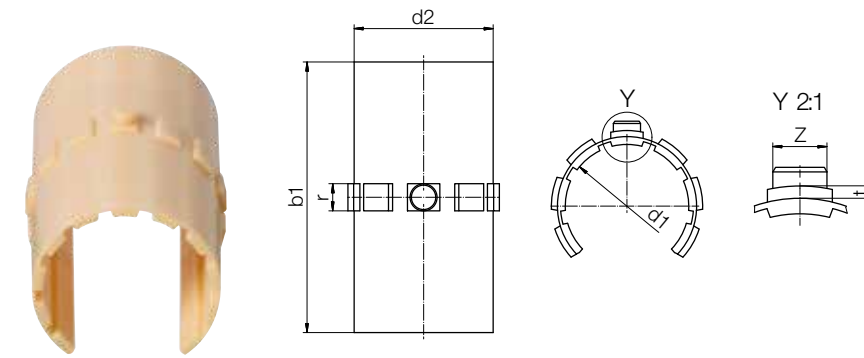
Can be combined with:



Imperial dimensions
▶ Page 746

drylin® R liners | Product range

Long, open design for supported shafts -
made from iglidur® J (the all-rounder)



Order key

Type	Size
J U M O -01-10	
igidur® J	
Liner	
Metric	
Open	
Standard	
Inner Ø d1	

The all-rounder for all shaft surfaces
in indoor and outdoor applications

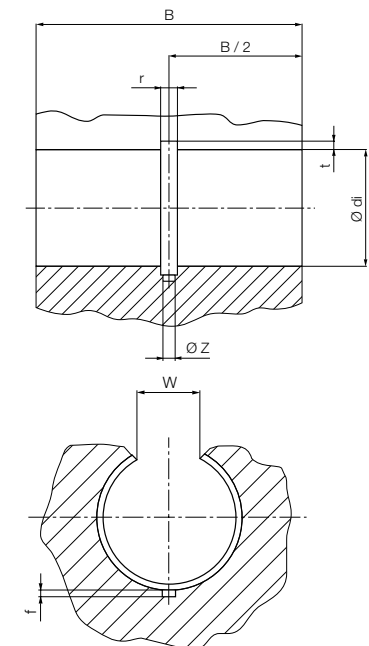
⁷⁸⁾ According to igus® testing method ▶ Page 260
Please note: Installation instructions ▶ Page 187
 Min. -50°C
Max. +90°C

Dimensions [mm]

d1	d1 tolerance ⁷⁸⁾	d2	b1	r	t	Z	Weight [g]	Part No.
10	+0.030 +0.070	12	28	3.0	0.8	2.5	0.90	JUMO-01-10
12	+0.030 +0.070	14	31	3.0	0.8	3.0	1.16	JUMO-01-12
16	+0.030 +0.070	18	35	3.5	0.8	3.5	1.71	JUMO-01-16
20	+0.030 +0.070	23	44	5.0	0.8	3.5	4.16	JUMO-01-20
25	+0.030 +0.070	28	57	5.0	0.8	4.0	6.97	JUMO-01-25
30	+0.040 +0.085	34	67	5.0	0.8	4.0	12.38	JUMO-01-30
40	+0.040 +0.085	44	79	6.0	1.3	5.0	20.18	JUMO-01-40
50	+0.050 +0.150	55	99	7.0	1.3	6.0	38.60	JUMO-01-50
60	+0.050 +0.150	65	124	8.0	2.0	6.5	60.10	JUMO-01-60⁷⁹⁾

Housing hole for JUMO-01 | Dimensions [mm]

Shaft Ø	d1 H7	B h10	W	r +0.5	t +0.05	f +0.1	Z +0.2	Part No.
10	12	29	7.3	3.0	1.0	1.0	2.6	JUMO-01-10
12	14	32	9.0	3.0	1.0	1.5	3.1	JUMO-01-12
16	18	36	11.6	3.5	1.0	1.7	3.6	JUMO-01-16
20	23	45	12.0	5.0	1.0	2.0	3.6	JUMO-01-20
25	28	58	14.5	5.0	1.0	2.0	4.1	JUMO-01-25
30	34	68	16.6	5.0	1.0	2.0	4.1	JUMO-01-30
40	44	80	21.0	6.0	1.5	2.5	5.1	JUMO-01-40
50	55	100	25.5	7.0	1.5	2.5	6.1	JUMO-01-50
60	65	125	27.2	8.0	2.5	3.0	6.5	JUMO-01-60⁷⁹⁾



⁷⁹⁾ In two parts

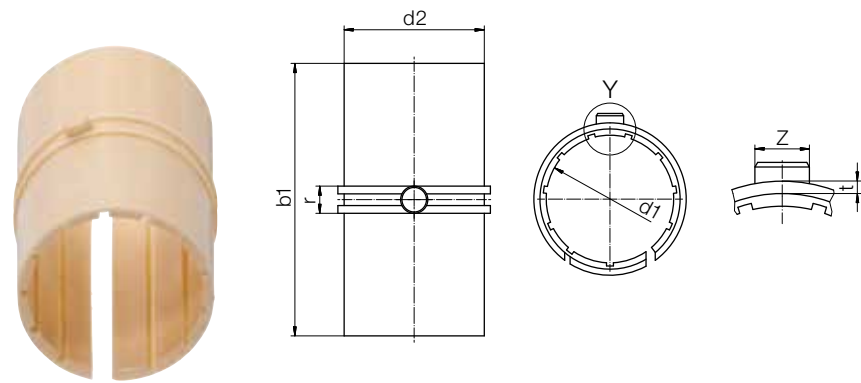
Can be combined with:



Imperial dimensions
▶ Page 746

drylin® R liners | Product range

Long, closed design, precise for shafts -
made from iglidur® J (the all-rounder)



Order key

Type	Size
JUM-11-10	
iglidur® J	
Liner	
Metric	
Precision	
Inner Ø d1	

- Max. bearing clearance reduced by 50%
- Increased contact surface: longer service life

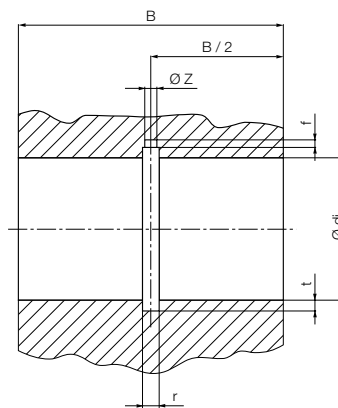
⁷⁸⁾ According to igus® testing method ▶ Page 260
Please note: Installation instructions ▶ Page 187
 Min. -50°C
Max. +90°C

Dimensions [mm]

d1	d1 tolerance ⁷⁸⁾	d2	b1	r	t	Z	Weight [g]	Part No.
10	+0.000 +0.040	12	28	3.0	0.8	2.5	1.23	JUM-11-10
12	+0.000 +0.040	14	31	3.0	0.8	3.0	1.65	JUM-11-12
16	+0.000 +0.040	18	35	3.5	0.8	3.5	2.42	JUM-11-16
20	+0.000 +0.040	23	44	5.0	0.8	3.5	5.49	JUM-11-20
25	+0.000 +0.040	28	57	5.0	0.8	4.0	8.86	JUM-11-25
30	+0.000 +0.050	34	67	5.0	0.8	4.0	16.63	JUM-11-30
40	+0.000 +0.050	44	79	6.0	1.3	5.0	26.06	JUM-11-40
50	+0.000 +0.060	55	99	7.0	1.3	6.0	48.82	JUM-11-50

Housing hole for JUM-11 | Dimensions [mm]

Shaft Ø	d _i H7	B h10	r +0.05	t +0.1	f +0.5	Z +0.2	Part No.
10	12	29	3.0	1.0	1.0	2.6	JUM-11-10
12	14	32	3.0	1.0	1.5	3.1	JUM-11-12
16	18	36	3.5	1.0	1.7	3.6	JUM-11-16
20	23	45	5.0	1.0	2.0	3.6	JUM-11-20
25	28	58	5.0	1.0	2.0	4.1	JUM-11-25
30	34	68	5.0	1.0	2.0	4.1	JUM-11-30
40	44	80	6.0	1.5	2.5	5.1	JUM-11-40
50	55	100	7.0	1.5	2.5	6.1	JUM-11-50



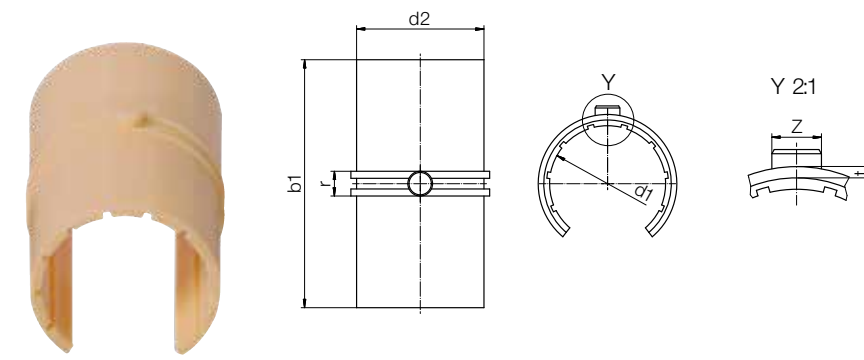
Can be combined with:



RJUM-01/-03 RJUM-06/-06-LL FJUM-01/-02
TJUM-01/-03

drylin® R liners | Product range

Long, open design, precise for supported shafts -
made from iglidur® J (the all-rounder)



Order key

Type	Size
JUMO-11-10	
iglidur® J	
Liner	
Metric	
Open	
Precision	
Inner Ø d1	

- Max. bearing clearance reduced by 50%
- Increased contact surface: longer service life

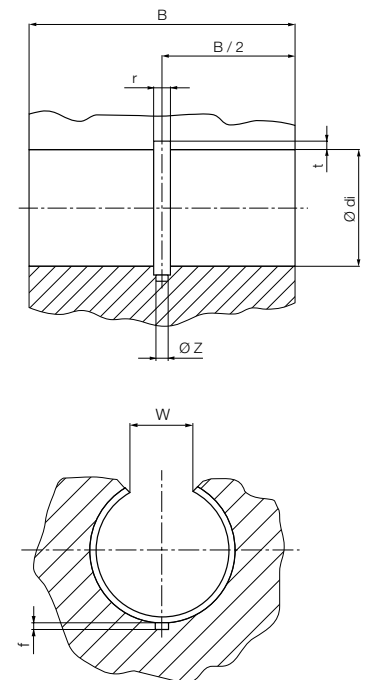
⁷⁸⁾ According to igus® testing method ▶ Page 260
Please note: Installation instructions ▶ Page 187
 Min. -50°C
Max. +90°C

Dimensions [mm]

d1	d1 tolerance ⁷⁸⁾	d2	b1	r	t	Z	Weight [g]	Part No.
10	+0.000 +0.040	12	28	3.0	0.8	2.5	1.10	JUMO-11-10
12	+0.000 +0.040	14	31	3.0	0.8	3.0	1.50	JUMO-11-12
16	+0.000 +0.040	18	35	3.5	0.8	3.5	2.20	JUMO-11-16
20	+0.000 +0.040	23	44	5.0	0.8	3.5	4.90	JUMO-11-20
25	+0.000 +0.040	28	57	5.0	0.8	4.0	8.23	JUMO-11-25
30	+0.000 +0.050	34	67	5.0	0.8	4.0	14.95	JUMO-11-30
40	+0.000 +0.050	44	79	6.0	1.3	5.0	23.16	JUMO-11-40
50	+0.000 +0.060	55	99	7.0	1.3	6.0	45.35	JUMO-11-50

Housing hole for JUMO-11 | Dimensions [mm]

Shaft Ø	d _i H7	B h10	W +0,2	r +0,05	t +0,1	f +0,5	Z +0,2	Part No.
10	12	29	7.3	3.0	1.0	1.0	2.6	JUMO-11-10
12	14	32	9.0	3.0	1.0	1.5	3.1	JUMO-11-12
16	18	36	11.6	3.5	1.0	1.7	3.6	JUMO-11-16
20	23	45	12.0	5.0	1.0	2.0	3.6	JUMO-11-20
25	28	58	14.5	5.0	1.0	2.0	4.1	JUMO-11-25
30	34	68	16.6	5.0	1.0	2.0	4.1	JUMO-11-30
40	44	80	21.0	6.0	1.5	2.5	5.1	JUMO-11-40
50	55	100	25.5	7.0	1.5	2.5	6.1	JUMO-11-50



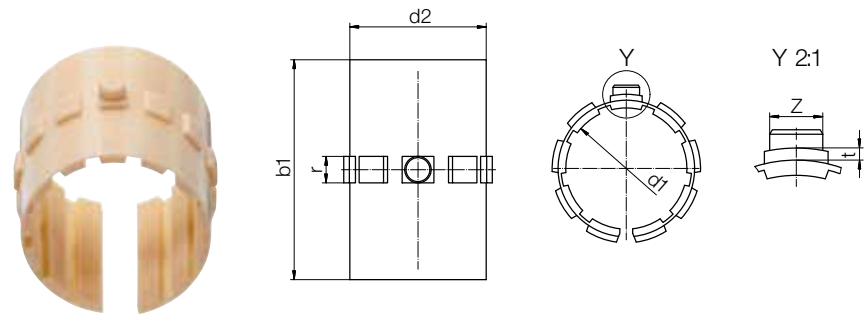
Can be combined with:



OJUM-01/-03 OJUM-06/-06-LL

drylin® R liners | Product range

Short, closed design for shafts -
made from iglidur® J (the all-rounder)



Order key

Type	Size
iglidur® J	J U M-02-10
Liner	
Metric	
Compact	
Inner Ø d1	

The all-rounder for all shaft surfaces
in indoor and outdoor applications

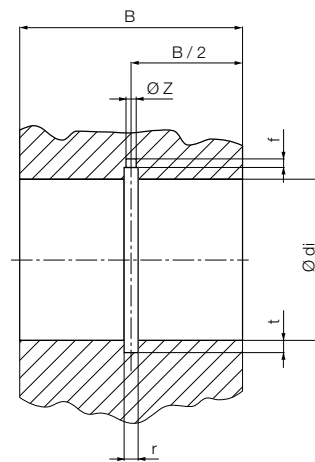
i ⁷⁸⁾ According to igus® testing method ▶ Page 260
Please note: Installation instructions ▶ Page 187
+ Min. -50°C
Max. +90°C

Dimensions [mm]

d1	d1 tolerance ⁷⁸⁾	d2	b1	r	t	Z	Weight [g]	Part No.
10	+0.030 +0.070	12	25	3.0	0.8	2.5	1.02	JUM-02-10
12	+0.030 +0.070	14	27	3.0	0.8	3.0	1.27	JUM-02-12
16	+0.030 +0.070	18	29	3.5	0.8	3.5	1.82	JUM-02-16
20	+0.030 +0.070	23	29	5.0	0.8	3.5	3.27	JUM-02-20
25	+0.030 +0.070	28	39	5.0	0.8	4.0	5.75	JUM-02-25
30	+0.040 +0.085	34	49	5.0	0.8	4.0	11.28	JUM-02-30
40	+0.040 +0.085	44	59	6.0	1.3	5.0	17.94	JUM-02-40
45	+0.040 +0.085	50	59	7.0	1.3	6.0	27.00	JUM-02-45
50	+0.050 +0.150	55	69	7.0	1.3	6.0	32.56	JUM-02-50

Housing hole for JUM-02 | Dimensions [mm]

Shaft Ø	d1 H7	B h10	r +0.05	t +0.1	f +0.5	Z +0.2	Part No.
10	12	26	3.0	1.0	1.0	2.6	JUM-02-10
12	14	28	3.0	1.0	1.5	3.1	JUM-02-12
16	18	30	3.5	1.0	1.7	3.6	JUM-02-16
20	23	30	5.0	1.0	2.0	3.6	JUM-02-20
25	28	40	5.0	1.0	2.0	4.1	JUM-02-25
30	34	50	5.0	1.0	2.0	4.1	JUM-02-30
40	44	60	6.0	1.5	2.5	5.1	JUM-02-40
45	50	60	7.0	1.5	2.5	6.1	JUM-02-45
50	55	70	7.0	1.5	2.5	6.1	JUM-02-50

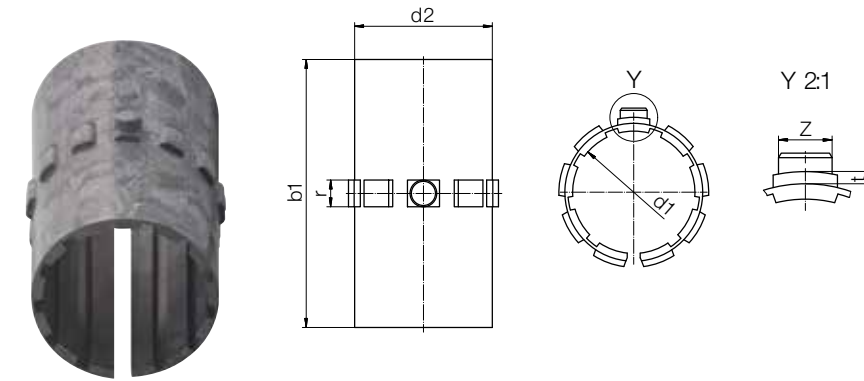


Can be combined with:



drylin® R liners | Product range

Long, closed design for shafts -
made from iglidur® J200 (the specialist)



Order key

Type	Size
iglidur® J200	J200 U M-01-10
Liner	
Metric	
Standard	
Inner Ø d1	

The "specialist" with the best running performance on
aluminium

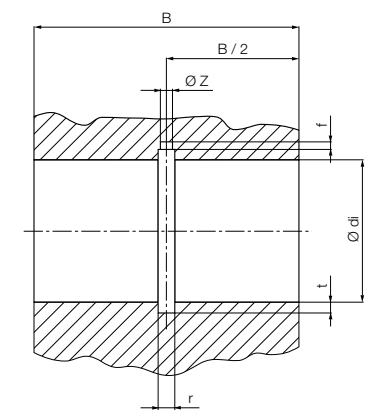
i ⁷⁸⁾ According to igus® testing method ▶ Page 260
Please note: Installation instructions ▶ Page 187
+ Min. -50°C
Max. +90°C

Dimensions [mm]

d1	d1 tolerance ⁷⁸⁾	d2	b1	r	t	Z	Weight [g]	Part No.
10	+0.030 +0.070	12	28	3.0	0.8	2.5	1.10	J200UM-01-10
12	+0.030 +0.070	14	31	3.0	0.8	3.0	1.50	J200UM-01-12
16	+0.030 +0.070	18	35	3.5	0.8	3.5	2.54	J200UM-01-16
20	+0.030 +0.070	23	44	5.0	0.8	3.5	5.66	J200UM-01-20
25	+0.030 +0.070	28	57	5.0	0.8	4.0	9.51	J200UM-01-25
30	+0.040 +0.085	34	67	5.0	0.8	4.0	17.27	J200UM-01-30
40	+0.040 +0.085	44	79	6.0	1.3	5.0	26.75	J200UM-01-40
50	+0.050 +0.150	55	99	7.0	1.3	6.0	52.38	J200UM-01-50

Housing hole for J200UM-01 | Dimensions [mm]

Shaft Ø	d1 H7	B h10	r +0.05	t +0.1	f +0.5	Z +0.2	Part No.
10	12	29	3.0	1.0	1.0	2.6	J200UM-01-10
12	14	32	3.0	1.0	1.5	3.1	J200UM-01-12
16	18	36	3.5	1.0	1.7	3.6	J200UM-01-16
20	23	45	5.0	1.0	2.0	3.6	J200UM-01-20
25	28	58	5.0	1.0	2.0	4.1	J200UM-01-25
30	34	68	5.0	1.0	2.0	4.1	J200UM-01-30
40	44	80	6.0	1.5	2.5	5.1	J200UM-01-40
50	55	100	7.0	1.5	2.5	6.1	J200UM-01-50

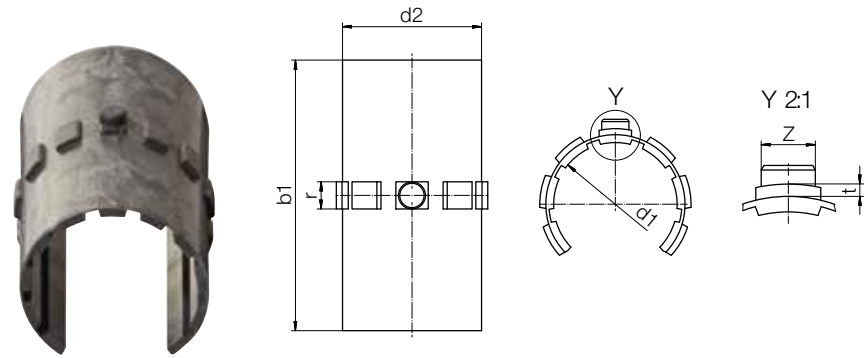


Can be combined with:



drylin® R liners | Product range

Long, open design for supported shafts -
made from iglidur® J200 (the specialist)



Order key

Type	Size
J200 U M O-01-10	
igidur® J200	
Liner	
Metric	
Open	
Standard	
Inner Ø d1	

The "specialist" with the best running performance on aluminium

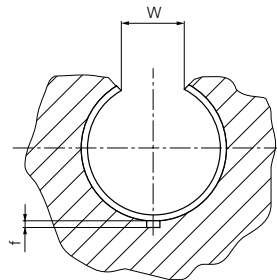
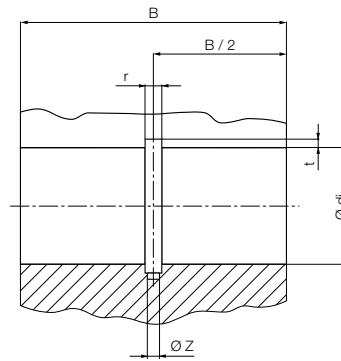
i ⁷⁸⁾ According to igus® testing method ▶ Page 260
Please note: Installation instructions ▶ Page 187
+ Min. -50°C
Max. +90°C

Dimensions [mm]

d1	d1 tolerance ⁷⁸⁾	d2	b1	r	t	Z	Weight [g]	Part No.
10	+0.030 +0.070	12	28	3.0	0.8	2.5	1.04	J200UMO-01-10
12	+0.030 +0.070	14	31	3.0	0.8	3.0	1.34	J200UMO-01-12
16	+0.030 +0.070	18	35	3.5	0.8	3.5	1.98	J200UMO-01-16
20	+0.030 +0.070	23	44	5.0	0.8	3.5	4.80	J200UMO-01-20
25	+0.030 +0.070	28	57	5.0	0.8	4.0	8.05	J200UMO-01-25
30	+0.040 +0.085	34	67	5.0	0.8	4.0	14.30	J200UMO-01-30
40	+0.040 +0.085	44	79	6.0	1.3	5.0	23.31	J200UMO-01-40

Housing hole for J200UMO-01 | Dimensions [mm]

Shaft Ø	d _i H7	B h10	W	r +0.5	t +0.05	f +0.1	Z +0.2	Part No.
10	12	29	7.3	3.0	1.0	1.0	2.6	J200UMO-01-10
12	14	32	9.0	3.0	1.0	1.5	3.1	J200UMO-01-12
16	18	36	11.6	3.5	1.0	1.7	3.6	J200UMO-01-16
20	23	45	12.0	5.0	1.0	2.0	3.6	J200UMO-01-20
25	28	58	14.5	5.0	1.0	2.0	4.1	J200UMO-01-25
30	34	68	16.6	5.0	1.0	2.0	4.1	J200UMO-01-30
40	44	80	21.0	6.0	1.5	2.5	5.1	J200UMO-01-40

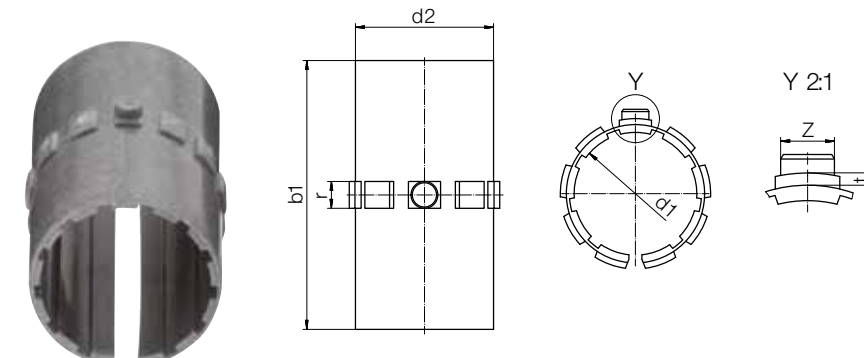


Can be combined with:



drylin® R liners | Product range

Long, closed design for shafts -
made from iglidur® E7 (the endurance runner)



Order key

Type	Size
E7 U M-01-10	
igidur® E7	
Liner	
Metric	
Standard	
Inner Ø d1	

The "endurance runner" up to 8 times longer service life on steel shafts

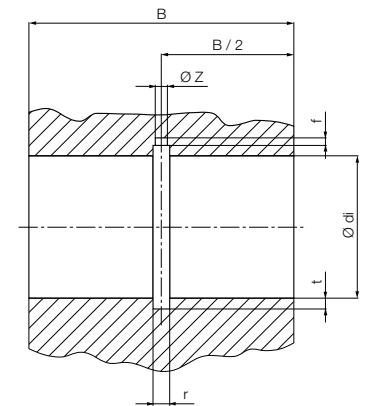
i ⁷⁸⁾ According to igus® testing method ▶ Page 260
Please note: Installation instructions ▶ Page 187
+ Min. -50°C
Max. +70°C

Dimensions [mm]

d1	d1 tolerance ⁷⁸⁾	d2	b1	r	t	Z	Weight [g]	Part No.
10	+0.030 +0.070	12	28	3.0	0.8	2.5	0.73	E7UM-01-10
12	+0.030 +0.070	14	31	3.0	0.8	3.0	1.01	E7UM-01-12
16	+0.030 +0.070	18	35	3.5	0.8	3.5	1.45	E7UM-01-16
20	+0.030 +0.070	23	44	5.0	0.8	3.5	3.25	E7UM-01-20
25	+0.030 +0.070	28	57	5.0	0.8	4.0	5.44	E7UM-01-25
30	+0.040 +0.085	34	67	5.0	0.8	4.0	9.88	E7UM-01-30
40	+0.040 +0.085	44	79	6.0	1.3	5.0	17.30	E7UM-01-40
50	+0.050 +0.150	55	99	7.0	1.3	6.0	36.30	E7UM-01-50⁷⁹⁾
60	+0.050 +0.150	65	124	8.0	2.5	6.5	54.80	E7UM-01-60⁷⁹⁾

Housing hole for E7UM-01 | Dimensions [mm]

Shaft Ø	d _i H7	B h10	r +0.5	t +0.05	f +0.1	Z +0.2	Part No.
10	12	29	3.0	1.0	1.0	2.6	E7UM-01-10
12	14	32	3.0	1.0	1.5	3.1	E7UM-01-12
16	18	36	3.5	1.0	1.7	3.6	E7UM-01-16
20	23	45	5.0	1.0	2.0	3.6	E7UM-01-20
25	28	58	5.0	1.0	2.0	4.1	E7UM-01-25
30	34	68	5.0	1.0	2.0	4.1	E7UM-01-30
40	44	80	6.0	1.5	2.5	5.1	E7UM-01-40
50	55	100	7.0	1.5	2.5	6.1	E7UM-01-50⁷⁹⁾
60	65	125	8.0	2.5	3.0	6.5	E7UM-01-60⁷⁹⁾



⁷⁹⁾ In two parts

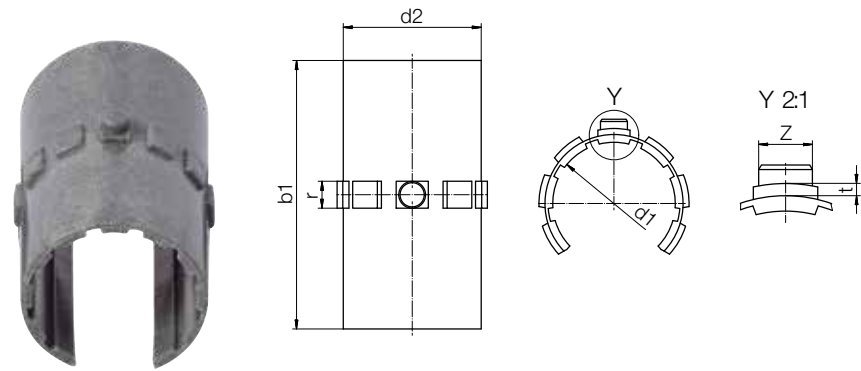
Can be combined with:



inch Imperial dimensions
▶ Page 746

drylin® R liners | Product range

Long, open design for supported shafts -
made from iglidur® E7 (the endurance runner)



Order key

Type	Size
iglidur® E7	
Liner	
Metric	
Open	
Standard	
Inner Ø d1	

The "endurance runner" up to 8 times longer service life on steel shafts

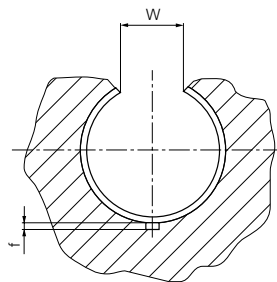
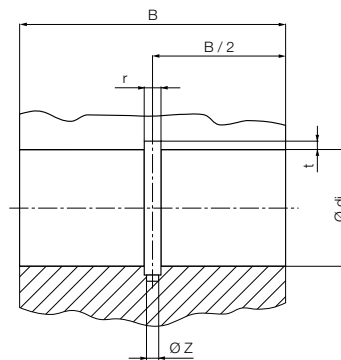
⁷⁸⁾ According to igus® testing method ▶ Page 260
Please note: Installation instructions ▶ Page 187
 Min. -50°C
Max. +70°C

Dimensions [mm]

d1	d1 tolerance ⁷⁸⁾	d2	b1	r	t	Z	Weight [g]	Part No.
10	+0.030 +0.070	12	28	3.0	0.8	2.5	0.73	E7UMO-01-10
12	+0.030 +0.070	14	31	3.0	0.8	3.0	1.01	E7UMO-01-12
16	+0.030 +0.070	18	35	3.5	0.8	3.5	1.45	E7UMO-01-16
20	+0.030 +0.070	23	44	5.0	0.8	3.5	3.25	E7UMO-01-20
25	+0.030 +0.070	28	57	5.0	0.8	4.0	5.44	E7UMO-01-25
30	+0.040 +0.085	34	67	5.0	0.8	4.0	9.88	E7UMO-01-30
40	+0.040 +0.085	44	79	6.0	1.3	5.0	17.30	E7UMO-01-40
50	+0.050 +0.150	55	99	7.0	1.3	6.0	36.40	E7UMO-01-50⁷⁹⁾
60	+0.050 +0.150	65	124	8.0	2.5	6.5	54.80	E7UMO-01-60⁷⁹⁾

Housing hole for E7UMO-01 | Dimensions [mm]

Shaft Ø	d _i H7	B h10	W	r +0.5	t +0.05	f +0.1	Z +0.2	Part No.
10	12	29	7.3	3.0	1.0	1.0	2.6	E7UMO-01-10
12	14	32	9.0	3.0	1.0	1.5	3.1	E7UMO-01-12
16	18	36	11.6	3.5	1.0	1.7	3.6	E7UMO-01-16
20	23	45	12.0	5.0	1.0	2.0	3.6	E7UMO-01-20
25	28	58	14.5	5.0	1.0	2.0	4.1	E7UMO-01-25
30	34	68	16.6	5.0	1.0	2.0	4.1	E7UMO-01-30
40	44	80	21.0	6.0	1.5	2.5	5.1	E7UMO-01-40
50	55	100	25.5	7.0	1.5	2.5	6.1	E7UMO-01-50⁷⁹⁾
60	65	125	27.2	8.0	2.5	3.0	6.5	E7UMO-01-60⁷⁹⁾



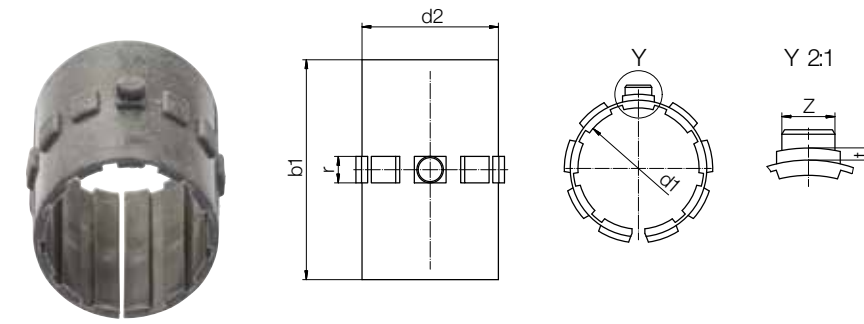
⁷⁹⁾ In two parts

Can be combined with:



drylin® R liners | Product range

Short, closed design for shafts -
made from iglidur® E7 (the endurance runner)



Order key

Type	Size
iglidur® E7	
Liner	
Metric	
Compact	
Inner Ø d1	

The "endurance runner" up to 8 times longer service life on steel shafts

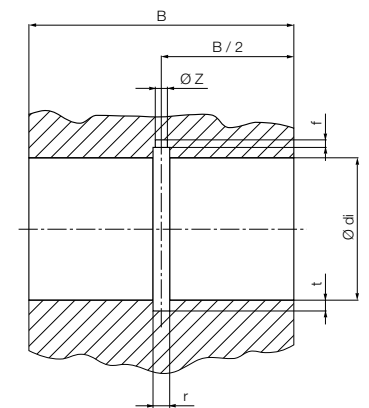
⁷⁸⁾ According to igus® testing method ▶ Page 260
Please note: Installation instructions ▶ Page 187
 Min. -50°C
Max. +70°C

Dimensions [mm]

d1	d1 tolerance ⁷⁸⁾	d2	b1	r	t	Z	Weight [g]	Part No.
10	+0.030 +0.070	12	25	3.0	0.8	2.5	0.73	E7UM-02-10
12	+0.030 +0.070	14	27	3.0	0.8	3.0	1.01	E7UM-02-12
16	+0.030 +0.070	18	29	3.5	0.8	3.5	1.45	E7UM-02-16
20	+0.030 +0.070	23	29	5.0	0.8	3.5	3.25	E7UM-02-20
25	+0.030 +0.070	28	39	5.0	0.8	4.0	5.44	E7UM-02-25
30	+0.040 +0.085	34	49	5.0	0.8	4.0	9.88	E7UM-02-30
40	+0.040 +0.085	44	59	6.0	1.3	5.0	17.30	E7UM-02-40

Housing hole for E7UM-02 | Dimensions [mm]

Shaft Ø	d _i H7	B h10	r +0.05	t +0.1	f +0.5	Z +0.2	Part No.
10	12	26	3.0	1.0	1.0	2.6	E7UM-02-10
12	14	28	3.0	1.0	1.5	3.1	E7UM-02-12
16	18	30	3.5	1.0	1.7	3.6	E7UM-02-16
20	23	30	5.0	1.0	2.0	3.6	E7UM-02-20
25	28	40	5.0	1.0	2.0	4.1	E7UM-02-25
30	34	50	5.0	1.0	2.0	4.1	E7UM-02-30
40	44	60	6.0	1.5	2.5	5.1	E7UM-02-40

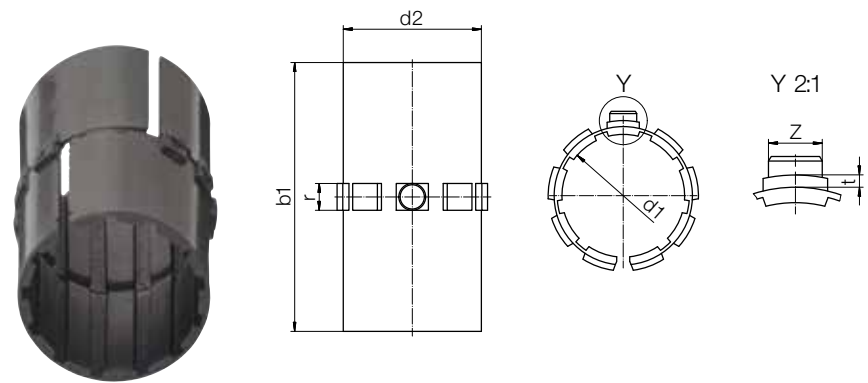


Can be combined with:



drylin® R liners | Product range

Long, closed design for shafts, two-piece -
made from iglidur® X (the extreme)



Order key

Type	Size
iglidur® X	XUM-01-12
Liner	
Metric	
Standard	
Inner Ø d1	

The "extreme", resistant to temperature and chemicals on stainless steel and chromed shafts

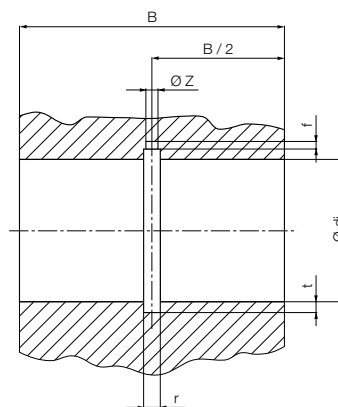
i ⁷⁸⁾ According to igus® testing method ▶ Page 260
Please note: Installation instructions ▶ Page 187
+ Min. -100°C
Max. +250°C

Dimensions [mm]

d1	d1 tolerance ⁷⁸⁾	d2	b1	r	t	Z	Weight [g]	Part No.
12	+0.030 +0.070	14	31	3.0	0.8	3.0	1.50	XUM-01-12
14	+0.030 +0.070	18	35	3.5	0.8	3.5	2.13	XUM-01-14
16	+0.030 +0.070	18	35	3.5	0.8	3.5	2.20	XUM-01-16
20	+0.030 +0.070	23	44	5.0	0.8	3.5	4.90	XUM-01-20
25	+0.040 +0.085	28	57	5.0	0.8	4.0	8.23	XUM-01-25
30	+0.040 +0.085	34	67	5.0	0.8	4.0	14.95	XUM-01-30
40	+0.025 +0.125	44	79	6.0	1.3	5.0	23.16	XUM-01-40

Housing hole for XUM-01 | Dimensions [mm]

Shaft Ø	d1 H7	B h10	r +0,05	t +0,1	f +0,5	Z +0,2	Part No.
12	14	32	3.0	1.0	1.5	3.1	XUM-01-12
14	16	30	3.5	1.0	1.7	3.6	XUM-01-14
16	18	36	3.5	1.0	1.7	3.6	XUM-01-16
20	23	45	5.0	1.0	2.0	3.6	XUM-01-20
25	28	58	5.0	1.0	2.0	4.1	XUM-01-25
30	34	68	5.0	1.0	2.0	4.1	XUM-01-30
40	44	80	6.0	1.5	2.5	5.1	XUM-01-40

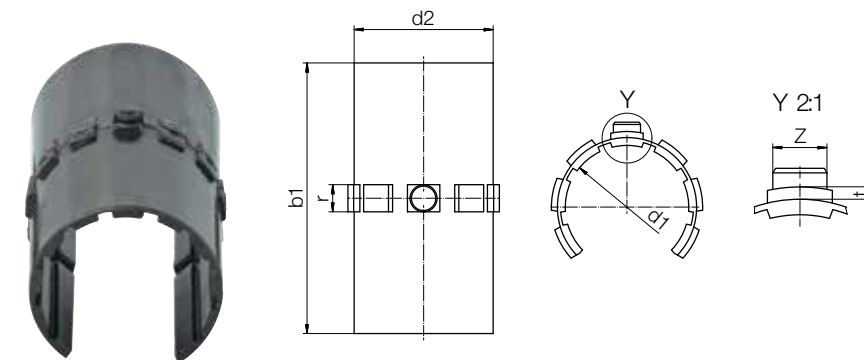


Can be combined with:



drylin® R liners | Product range

Long, open design for supported shafts, two-piece -
made from iglidur® X (the extreme)



Order key

Type	Size
iglidur® X	XUMO-01-10
Liner	
Metric	
Open	
Standard	
Inner Ø d1	

The "extreme", resistant to temperature and chemicals on stainless steel and chromed shafts

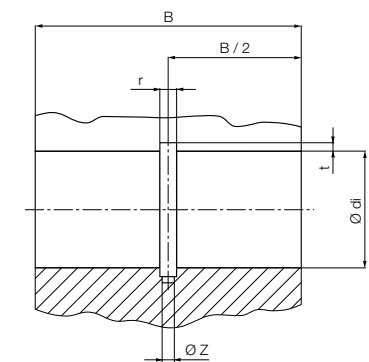
i ⁷⁸⁾ According to igus® testing method ▶ Page 260
Please note: Installation instructions ▶ Page 187
+ Min. -100°C
Max. +250°C

Dimensions [mm]

d1	d1 tolerance ⁷⁸⁾	d2	b1	r	t	Z	Weight [g]	Part No.
10	+0.000 +0.020	12	28	3.0	0.8	2.5	1.00	XUMO-01-10 ¹¹⁰⁾
12	+0.030 +0.070	14	31	3.0	0.8	3.0	1.20	XUMO-01-12
16	+0.030 +0.070	18	35	3.5	0.8	3.5	2.30	XUMO-01-16
20	+0.030 +0.070	23	44	5.0	0.8	3.5	4.30	XUMO-01-20
25	+0.030 +0.070	28	57	5.0	0.8	4.0	6.80	XUMO-01-25
30	+0.040 +0.085	34	67	5.0	0.8	4.0	13.30	XUMO-01-30
40	+0.040 +0.085	44	79	6.0	1.3	5.0	22.60	XUMO-01-40

Housing hole for XUMO-01 | Dimensions [mm]

Shaft Ø	d1 H7	B h10	W +0,2	r +0,05	t +0,1	f +0,5	Z +0,2	Part No.
10	12	29	7.3	3.0	1.0	1.0	2.6	XUMO-01-10 ¹¹⁰⁾
12	14	32	9.0	3.0	1.0	1.5	3.1	XUMO-01-12
16	18	36	11.6	3.5	1.0	1.7	3.6	XUMO-01-16
20	23	45	12.0	5.0	1.0	2.0	3.6	XUMO-01-20
25	28	58	14.5	5.0	1.0	2.0	4.1	XUMO-01-25
30	34	68	16.6	5.0	1.0	2.0	4.1	XUMO-01-30
40	44	80	21.0	6.0	1.5	2.5	5.1	XUMO-01-40



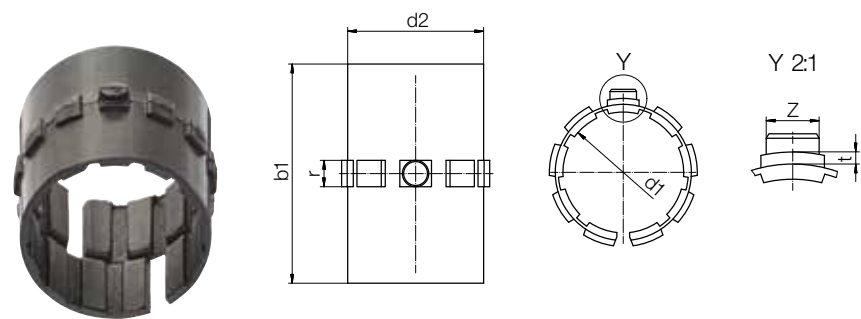
¹¹⁰⁾ One-piece

Can be combined with:



drylin® R liners | Product range

Short, closed design for shafts, two-piece - made from iglidur® X (the extreme)



Order key

Type	Size
iglidur® X	
Liner	
Metric	
Compact	
Inner Ø d1	

The "extreme", resistant to temperature and chemicals on stainless steel and chromed shafts

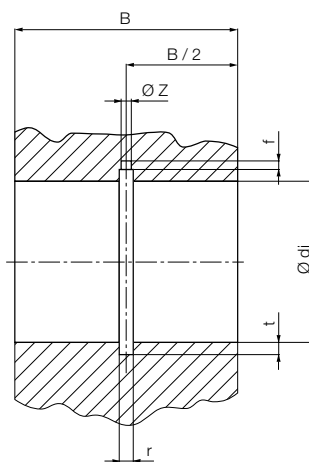
⁷⁸⁾ According to igus® testing method ▶ Page 260
 Please note: Installation instructions ▶ Page 187
 Min. -100°C
 Max. +250°C

Dimensions [mm]

d1	d1 tolerance ⁷⁸⁾	d2	b1	r	t	Z	Weight [g]	Part No.
12	+0.030 +0.070	14	27	3.0	0.8	3.0	1.3	XUM-02-12
16	+0.030 +0.070	18	29	3.5	0.8	3.5	2.5	XUM-02-16
20	+0.030 +0.070	23	29	5.0	0.8	3.5	3.4	XUM-02-20
25	+0.030 +0.070	28	39	5.0	0.8	4.0	5.6	XUM-02-25
30	+0.040 +0.085	34	49	5.0	0.8	4.0	12.0	XUM-02-30
40	+0.040 +0.085	44	59	6.0	1.3	5.0	20.0	XUM-02-40

Housing hole for XUM-02 | Dimensions [mm]

Shaft Ø	d1 H7	B h10	r +0.05	t +0.1	f +0.5	Z +0.2	Part No.
12	14	28	3.0	1.0	1.5	3.1	XUM-02-12
16	18	30	3.5	1.0	1.7	3.6	XUM-02-16
20	23	30	5.0	1.0	2.0	3.6	XUM-02-20
25	28	40	5.0	1.0	2.0	4.1	XUM-02-25
30	34	50	5.0	1.0	2.0	4.1	XUM-02-30
40	44	60	6.0	1.5	2.5	5.1	XUM-02-40

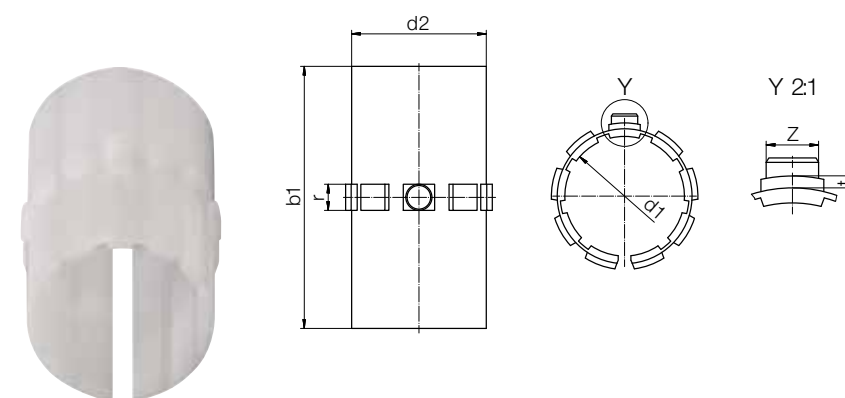


Can be combined with:



drylin® R liners | Product range

Long, closed design for round shafts - made from iglidur® A180 (FDA-compliant)



Order key

Type	Size
iglidur® A180	
Liner	
Metric	
Standard	
Inner Ø d1	

The FDA-compliant for the food and pharmaceutical industry

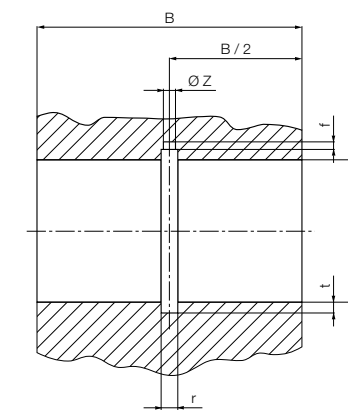
⁷⁸⁾ According to igus® testing method ▶ Page 260
 Please note: Installation instructions ▶ Page 187
 Min. -50°C
 Max. +90°C

Dimensions [mm]

d1	d1 tolerance ⁷⁸⁾	d2	b1	r	t	Z	Weight [g]	Part No.
10	+0.000 +0.020	12	28	3.0	0.8	2.5	1.08	A180UM-01-10
12	+0.030 +0.070	14	31	3.0	0.8	3.0	1.47	A180UM-01-12
16	+0.030 +0.070	18	35	3.5	0.8	3.5	2.16	A180UM-01-16
20	+0.030 +0.070	23	44	5.0	0.8	3.5	4.80	A180UM-01-20
25	+0.030 +0.070	28	57	5.0	0.8	4.0	8.07	A180UM-01-25
30	+0.040 +0.085	34	67	5.0	0.8	4.0	14.65	A180UM-01-30
40	+0.040 +0.085	44	79	6.0	1.3	5.0	22.70	A180UM-01-40
50	+0.050 +0.150	55	99	7.0	1.3	6.0	44.44	A180UM-01-50

Housing hole for A180UM-01 | Dimensions [mm]

Shaft Ø	d1 H7	B h10	r +0.05	t +0.1	f +0.5	Z +0.2	Part No.
10	12	29	3.0	1.0	1.0	2.6	A180UM-01-10
12	14	32	3.0	1.0	1.5	3.1	A180UM-01-12
16	18	36	3.5	1.0	1.7	3.6	A180UM-01-16
20	23	45	5.0	1.0	2.0	3.6	A180UM-01-20
25	28	58	5.0	1.0	2.0	4.1	A180UM-01-25
30	34	68	5.0	1.0	2.0	4.1	A180UM-01-30
40	44	80	6.0	1.5	2.5	5.1	A180UM-01-40
50	55	100	7.0	1.5	2.5	6.1	A180UM-01-50

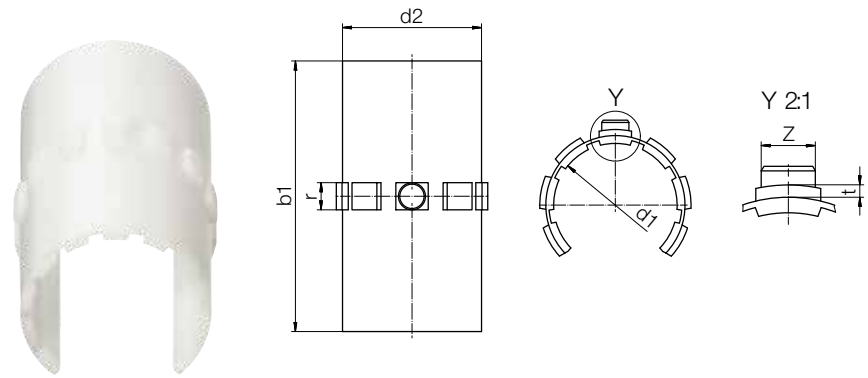


Can be combined with:



drylin® R liners | Product range

Long, open design for supported shafts -
made from iglidur® A180 (FDA-compliant)



Order key

Type	Size
iglidur® A180	
Liner	
Metric	
Open	
Standard	
Inner Ø d1	

i ⁷⁸⁾ According to igus® testing method ▶ Page 260
Please note: Installation instructions ▶ Page 187

+ Min. -50°C
Max. +90°C

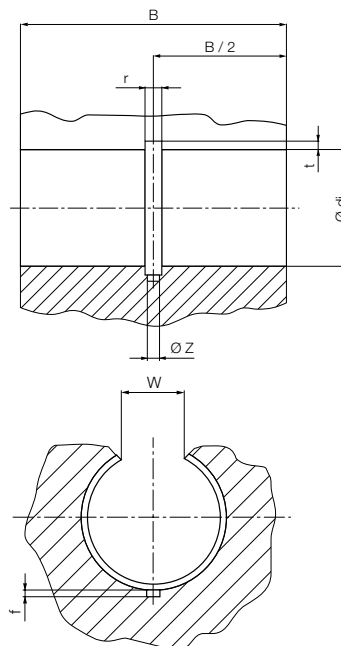
The FDA-compliant for the food
and pharmaceutical industry

Dimensions [mm]

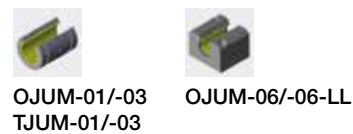
d1	d1 tolerance ⁷⁸⁾	d2	b1	r	t	Z	Weight [g]	Part No.
10	+0.000 +0.020	12	28	3.0	0.8	2.5	1.08	A180UMO-01-10
12	+0.030 +0.070	14	31	3.0	0.8	3.0	1.47	A180UMO-01-12
16	+0.030 +0.070	18	35	3.5	0.8	3.5	2.16	A180UMO-01-16
20	+0.030 +0.070	23	44	5.0	0.8	3.5	4.80	A180UMO-01-20
25	+0.030 +0.070	28	57	5.0	0.8	4.0	8.07	A180UMO-01-25
30	+0.040 +0.085	34	67	5.0	0.8	4.0	14.65	A180UMO-01-30
40	+0.040 +0.085	44	79	6.0	1.3	5.0	22.70	A180UMO-01-40

Housing hole for A180UMO-01 | Dimensions [mm]

Shaft Ø	d1	B	W	r	t	f	Z	Part No.
	H7	h10		+0.5	+0.05	+0.1	+0.2	
10	12	29	7.3	3.0	1.0	1.0	2.6	A180UMO-01-10
12	14	32	9.0	3.0	1.0	1.5	3.1	A180UMO-01-12
16	18	36	11.6	3.5	1.0	1.7	3.6	A180UMO-01-16
20	23	45	12.0	5.0	1.0	2.0	3.6	A180UMO-01-20
25	28	58	14.5	5.0	1.0	2.0	4.1	A180UMO-01-25
30	34	68	16.6	5.0	1.0	2.0	4.1	A180UMO-01-30
40	44	80	21.0	6.0	1.5	2.5	5.1	A180UMO-01-40

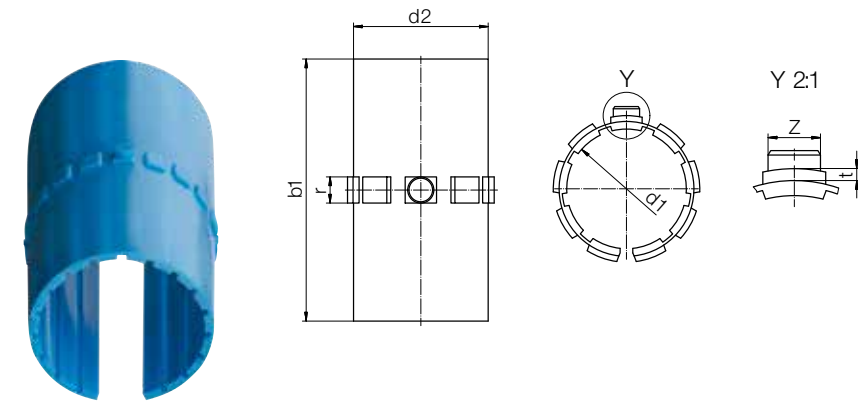


Can be combined with:



drylin® R liners | Product range

Long, closed design for round shafts - made from iglidur® A160
(compliant with Regulation (EU) No. 10/2011 and FDA guidelines)



Order key

Type	Size
iglidur® A160	
Liner	
Metric	
Standard	
Inner Ø d1	

i ⁷⁸⁾ According to igus® testing method ▶ Page 260
Please note: Installation instructions ▶ Page 187

+ Min. -50°C
Max. +90°C

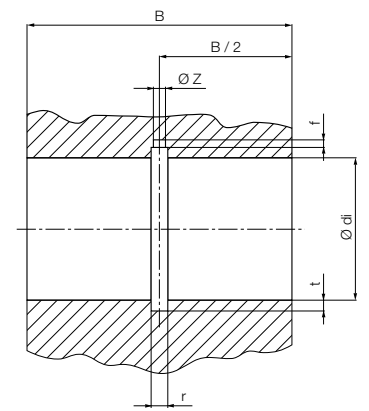
Compliant with Regulation (EU) No. 10/2011 and FDA
guidelines for longer service life on hardened stainless
steel shafts

Dimensions [mm]

d1	d1 tolerance ⁷⁸⁾	d2	b1	r	t	Z	Weight [g]	Part No.
10	+0.03 +0.07	12	28	3.0	0.8	2.5	0.7	A160UM-01-10
12	+0.03 +0.07	14	31	3.0	0.8	3.0	1.0	A160UM-01-12
16	+0.03 +0.07	18	35	3.5	0.8	3.5	1.5	A160UM-01-16
20	+0.03 +0.07	23	44	5.0	0.8	3.5	3.3	A160UM-01-20
25	+0.03 +0.07	28	57	5.0	0.8	4.0	5.4	A160UM-01-25
30	+0.04 +0.09	34	67	5.0	0.8	4.0	9.9	A160UM-01-30
40	+0.04 +0.09	44	79	6.0	1.3	5.0	17.3	A160UM-01-40
50	+0.05 +0.15	55	99	7.0	1.3	6.0	36.3	A160UM-01-50

Housing hole for A160UM-01 | Dimensions [mm]

Shaft Ø	d1	B	r	t	f	Z	Part No.
	H7	h10	+0.05	+0.1	+0.5	+0.2	
10	12	29	3.0	1.0	1.0	2.6	A160UM-01-10
12	14	32	3.0	1.0	1.5	3.1	A160UM-01-12
16	18	36	3.5	1.0	1.7	3.6	A160UM-01-16
20	23	45	5.0	1.0	2.0	3.6	A160UM-01-20
25	28	58	5.0	1.0	2.0	4.1	A160UM-01-25
30	34	68	5.0	1.0	2.0	4.1	A160UM-01-30
40	44	80	6.0	1.5	2.5	5.1	A160UM-01-40
50	55	100	7.0	1.5	2.5	6.1	A160UM-01-50

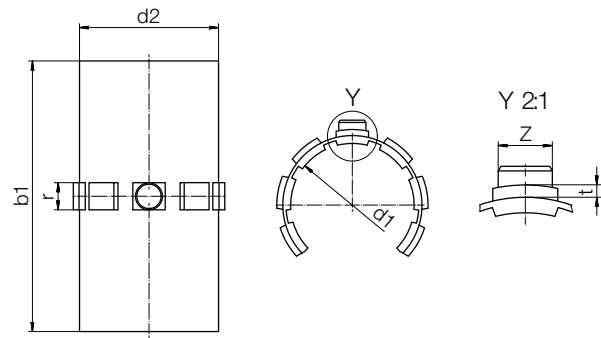


Can be combined with:



drylin® R liners | Product range **New**

Long, open design for supported shafts - made from iglidur® A160
(compliant with Regulation (EU) No. 10/2011 and FDA guidelines)



Order key

Type	Size
iglidur® A160	
Liner	
Metric	
Open	
Standard	
Inner Ø d1	

Compliant with Regulation (EU) No. 10/2011 and FDA guidelines for longer service life on hardened stainless steel shafts

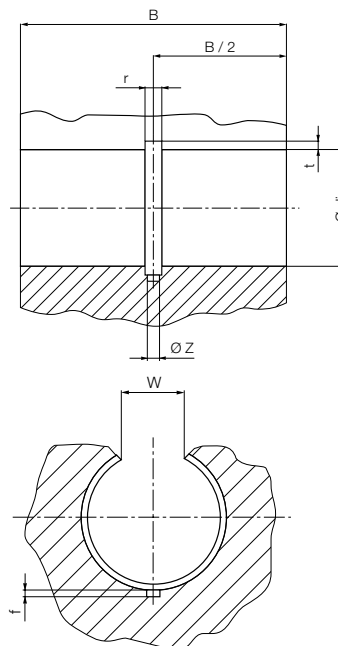
i ⁷⁸⁾ According to igus® testing method ▶ Page 260
Please note: Installation instructions ▶ Page 187
+ Min. -50°C
- Max. +90°C

Dimensions [mm]

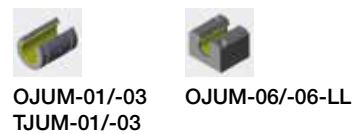
d1	d1 tolerance ⁷⁸⁾	d2	b1	r	t	Z	Weight [g]	Part No.
10	+0.000 +0.020	12	28	3.0	0.8	2.5	1.08	A160UMO-01-10 New
12	+0.030 +0.070	14	31	3.0	0.8	3.0	1.47	A160UMO-01-12 New
16	+0.030 +0.070	18	35	3.5	0.8	3.5	2.16	A160UMO-01-16 New
20	+0.030 +0.070	23	44	5.0	0.8	3.5	4.80	A160UMO-01-20 New
25	+0.030 +0.070	28	57	5.0	0.8	4.0	8.07	A160UMO-01-25 New
30	+0.040 +0.085	34	67	5.0	0.8	4.0	14.65	A160UMO-01-30 New
40	+0.040 +0.085	44	79	6.0	1.3	5.0	22.70	A160UMO-01-40 New

Housing hole for A160UM-01 | Dimensions [mm]

Shaft Ø	d _i H7	B h10	W	r +0.5	t +0.05	f +0.1	Z +0.2	Part No.
10	12	29	7.3	3.0	1.0	1.0	2.6	A160UMO-01-10 New
12	14	32	9.0	3.0	1.0	1.5	3.1	A160UMO-01-12 New
16	18	36	11.6	3.5	1.0	1.7	3.6	A160UMO-01-16 New
20	23	45	12.0	5.0	1.0	2.0	3.6	A160UMO-01-20 New
25	28	58	14.5	5.0	1.0	2.0	4.1	A160UMO-01-25 New
30	34	68	16.6	5.0	1.0	2.0	4.1	A160UMO-01-30 New
40	44	80	21.0	6.0	1.5	2.5	5.1	A160UMO-01-40 New

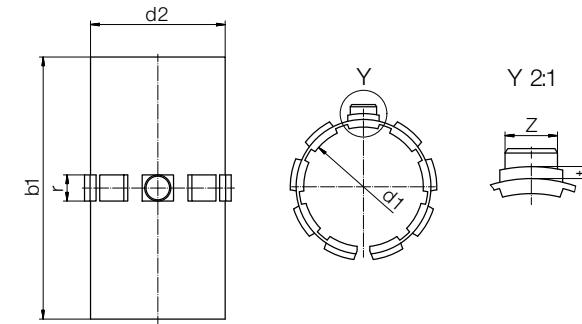


Can be combined with:



drylin® R liners | Product range **New**

Short, closed design for round shafts - made from iglidur® A160
(compliant with Regulation (EU) No. 10/2011 and FDA guidelines)



Order key

Type	Size
iglidur® A160	
Liner	
Metric	
Compact	
Inner Ø d1	

Compliant with Regulation (EU) No. 10/2011 and FDA guidelines for longer service life on hardened stainless steel shafts

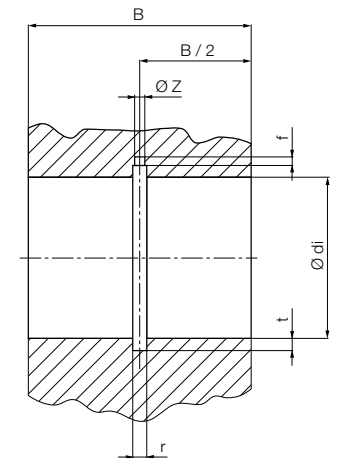
i ⁷⁸⁾ According to igus® testing method ▶ Page 260
Please note: Installation instructions ▶ Page 187
+ Min. -50°C
- Max. +90°C

Dimensions [mm]

d1	d1 tolerance ⁷⁸⁾	d2	b1	r	t	Z	Weight [g]	Part No.
10	+0.030 +0.070	12	25	3.0	0.8	2.5	1.02	A160UM-02-10 New
12	+0.030 +0.070	14	27	3.0	0.8	3.0	1.27	A160UM-02-12 New
16	+0.030 +0.070	18	29	3.5	0.8	3.5	1.82	A160UM-02-16 New
20	+0.030 +0.070	23	29	5.0	0.8	3.5	3.27	A160UM-02-20 New
25	+0.030 +0.070	28	39	5.0	0.8	4.0	5.75	A160UM-02-25 New
30	+0.040 +0.085	34	49	5.0	0.8	4.0	11.28	A160UM-02-30 New
40	+0.040 +0.085	44	59	6.0	1.3	5.0	17.94	A160UM-02-40 New
50	+0.050 +0.150	55	69	7.0	1.3	6.0	32.56	A160UM-02-50 New

Housing hole for A160UM-02 | Dimensions [mm]

Shaft Ø	d _i H7	B h10	r +0.05	t +0.1	f +0.5	Z +0.2	Part No.
10	12	26	3.0	1.0	1.0	2.6	A160UM-02-10 New
12	14	28	3.0	1.0	1.5	3.1	A160UM-02-12 New
16	18	30	3.5	1.0	1.7	3.6	A160UM-02-16 New
20	23	30	5.0	1.0	2.0	3.6	A160UM-02-20 New
25	28	40	5.0	1.0	2.0	4.1	A160UM-02-25 New
30	34	50	5.0	1.0	2.0	4.1	A160UM-02-30 New
40	44	60	6.0	1.5	2.5	5.1	A160UM-02-40 New
50	55	70	7.0	1.5	2.5	6.1	A160UM-02-50 New

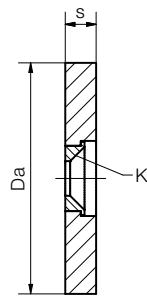
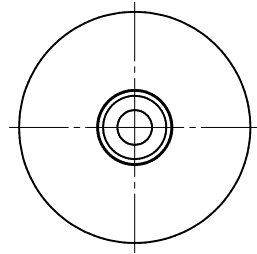


Can be combined with:



drylin® R sliding discs | Product range

Large force displacement on different surfaces



Order key

Type Size

RSD J -40-06

Sliding plate	iglidur® J	Outer Ø	Width
---------------	------------	---------	-------

- Made from the high-performance plastic iglidur® J
- Low coefficient of friction
- Screw through the reinforced hole in the middle for a firm hold



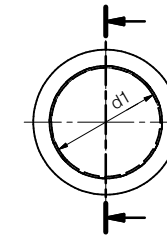
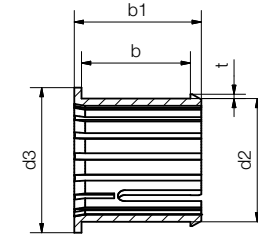
Min. -50°C
Max. +90°C

Dimensions [mm]

OuterØ Da	Wear limit	Width Øs	K For countersunk screw	Max. static load capacity [N]	Part No.
40	1.5	6 ± 0.05	M6	28,500	RSDJ-40-06
60	2.5	8 ± 0.05	M8	66,000	RSDJ-60-08
80	2.5	8 ± 0.05	M8	120,000	RSDJ-80-08

drylin® R clip in | Product range

Clip-on liners



Order key

Type Size

J U C M -1216-16

iglidur® J	Liner	Clip-on	Metric	Inner Ø d1	Outer Ø d2	Length b
------------	-------	---------	--------	------------	------------	----------

- Quick installation by hand for sheet thicknesses of 12 to 30mm
- No locating spigot required



⁷⁸⁾ According to igus® testing method ▶ Page 260
⁸²⁾ Design tips ▶ Page 186

Please note: Installation instructions ▶ Page 187



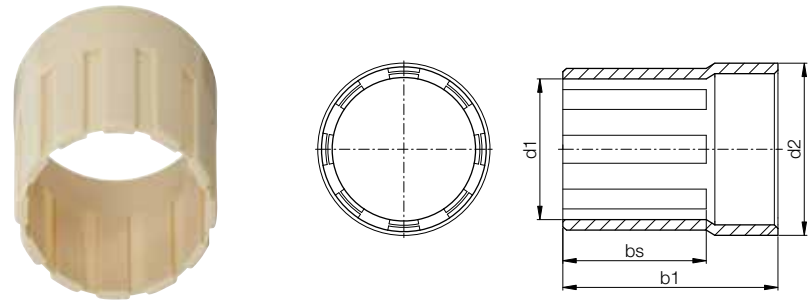
Min. -50°C
Max. +90°C

Dimensions [mm]

d1	d2	d3	b +0.05 / +0.25	b1	t	Part No.
12	16	20	16	20.5	0.8	JUCM-1216-16
14	18	22	18	22.5	0.8	JUCM-1418-18
15	17	22	15	18.0	0.8	JUCM-1517-15
16	20	25	20	24.5	0.8	JUCM-1620-20
18	22	26	20	24.5	0.8	JUCM-1822-20
20	24	30	25	30.0	1.0	JUCM-2024-25
22	27	34	27	32.0	1.0	JUCM-2227-27
22	27	32	34	39.5	1.0	JUCM-2227-34
25	29	35	30	35.5	1.0	JUCM-2529-30
30	34	40	30	35.0	1.2	JUCM-3034-30

Technical data

Part No.	d1 tolerance ⁷⁸⁾ [mm]	Fmax. dynamic ⁸²⁾	Fmax. static ⁸²⁾	Weight [g]
		p = 5MPa [N]	p = 35MPa [N]	
JUCM-1216-16	+0.04 +0.10	320	1,600	2.5
JUCM-1418-18	+0.04 +0.10	440	2,200	2.9
JUCM-1517-15	+0.04 +0.10	380	1,900	1.4
JUCM-1620-20	+0.04 +0.10	560	2,800	3.9
JUCM-1822-20	+0.04 +0.10	630	3,150	4.2
JUCM-2024-25	+0.04 +0.12	880	4,400	5.8
JUCM-2227-27	+0.04 +0.12	1,000	5,000	9.4
JUCM-2227-34	+0.04 +0.12	1,300	6,500	10.3
JUCM-2529-30	+0.04 +0.12	1,300	6,500	8.6
JUCM-3034-30	+0.04 +0.12	1,500	7,500	10.0



Order key

Type Size

W L M-0608-10

igidur® L100	L1 series	Metric	Inner Ø d1	Outer Ø d2	Length
--------------	-----------	--------	------------	------------	--------

- Extremely wear-resistant
- Low coefficient of friction



⁸⁰⁾ Measured with plug gauge

Please note: Installation instructions ► Page 187

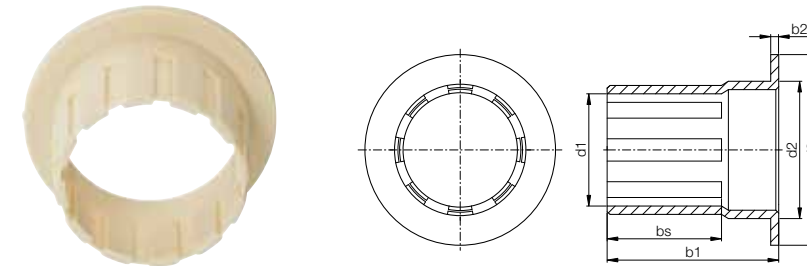
Material properties ► Page 775



Min. -40°C
Max. +100°C

Dimensions [mm]

d1	d1 tolerance ⁸⁰⁾	d2	b1	bs	Part No.
6	+0.000 +0.040	8	10	6	WLM-0608-10
8	+0.000 +0.050	10	12	8	WLM-0810-12
10	+0.000 +0.050	12	14.5	10	WLM-1012-14
10	+0.000 +0.050	12	16	10	WLM-1012-16
12	+0.000 +0.050	14	16	10	WLM-1214-16
12	+0.000 +0.050	14	25	15	WLM-1214-25
16	+0.000 +0.050	18	18	10	WLM-1618-18
16	+0.000 +0.050	18	26	16	WLM-1618-26
20	+0.000 +0.060	23	22.5	12.5	WLM-2023-22
20	+0.000 +0.060	23	30	20	WLM-2023-30
22	+0.000 +0.060	25	30	20	WLM-2225-30
25	+0.000 +0.060	28	29	19	WLM-2528-29
25	+0.000 +0.060	28	35	25	WLM-2528-35
30	+0.000 +0.060	34	34	24	WLM-3034-34
30	+0.000 +0.060	34	40	30	WLM-3034-40
40	+0.000 +0.060	44	40	30	WLM-4044-40
40	+0.000 +0.060	44	50	40	WLM-4044-50
50	+0.000 +0.070	55	50	40	WLM-5055-50
50	+0.000 +0.070	55	60	50	WLM-5055-60



Order key

Type Size

W L F M-1214-15

igidur® L100	L1 series	With flange	Metric	Inner Ø d1	Outer Ø d2	Length
--------------	-----------	-------------	--------	------------	------------	--------

- Extremely wear-resistant
- Low coefficient of friction



⁸⁰⁾ Measured with plug gauge

Please note: Installation instructions ► Page 187

Material properties ► Page 775



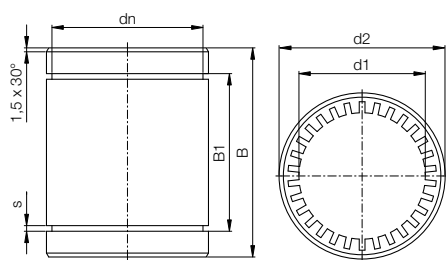
Min. -40°C
Max. +100°C

Dimensions [mm]

d1	d1 tolerance ⁸⁰⁾	d2	d3	b1	b2	bs	Part No.
12	+0.000 +0.050	14	20	15.0	1.0	9	WLFM-1214-15
16	+0.000 +0.050	18	24	16.0	1.0	10	WLFM-1618-16
20	+0.000 +0.060	23	30	16.5	1.5	10	WLFM-2023-16
25	+0.000 +0.060	28	35	21.5	1.5	11	WLFM-2528-21
30	+0.000 +0.060	34	42	27.0	2.0	15	WLFM-3034-27
40	+0.000 +0.060	44	52	32.0	2.0	20	WLFM-4044-32
50	+0.000 +0.070	55	63	37.5	2.5	25	WLFM-5055-37

drylin® R solid plastic bearings | Product range

Standard design made from iglidur® J (the all-rounder)



Order key

Type	Size
R J M-01-10	
Closed	
igidur® J	
Metric	
Standard	
Inner Ø d1	

- Assembly by press-fitting
- Secured by circlips

Min. -20°C
Max. +60°C

i ⁷⁸⁾ According to igus® testing method ▶ Page 260
⁸²⁾ Design tips ▶ Page 186
⁸³⁾ Applies by room temperature: press-fit decrease with time depending on the temperature
Please note: Installation instructions ▶ Page 187

inch Imperial dimensions
▶ Page 747

Dimensions [mm]

d1	d2	B	B1	Øs	dn	Part No.
8	16	25	16.2	1.10	15.2	RJM-01-08
10	19	29	21.6	1.30	17.5	RJM-01-10
12	22	32	22.6	1.30	20.5	RJM-01-12
16	26	36	24.6	1.30	24.2	RJM-01-16
20	32	45	31.2	1.60	29.6	RJM-01-20
25	40	58	43.7	1.85	36.5	RJM-01-25
30	47	68	51.7	1.85	43.5	RJM-01-30
40	62	80	60.3	2.15	57.8	RJM-01-40

Technical data

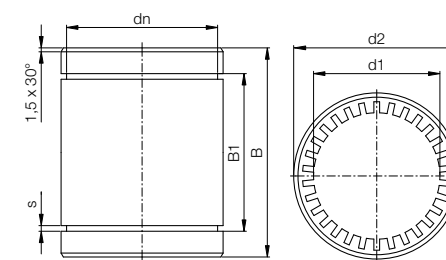
Part No.	d1 tolerance ⁷⁸⁾	Fmax. dynamic ⁸²⁾	Fmax. static ⁸²⁾	Weight	Press-fit force ⁸³⁾
	[mm]	p = 2.5MPa [N]	p = 17.5MPa [N]		
RJM-01-08	+0.025 +0.061	250	1,750	4	400
RJM-01-10	+0.025 +0.061	363	2,538	7	700
RJM-01-12	+0.032 +0.075	480	3,360	9	1,300
RJM-01-16	+0.032 +0.075	720	5,040	13	1,100
RJM-01-20	+0.040 +0.092	1,125	7,875	24	1,500
RJM-01-25	+0.040 +0.092	1,813	12,688	47	3,500
RJM-01-30	+0.040 +0.092	2,550	17,850	72	4,500
RJM-01-40	+0.050 +0.112	4,000	28,000	127	4,200

Can be combined with:



drylin® R solid plastic bearings | Product range

Standard design, precise, made from iglidur® J (the all-rounder)



Order key

Type	Size
R J M P-01-10	
Closed	
igidur® J	
Metric	
Precision	
Standard	
Inner Ø d1	

- Easy assembly by soft press-fit
- Reduced bearing clearance
- Secured by circlips

i ⁷⁸⁾ According to igus® testing method ▶ Page 260
⁸²⁾ Design tips ▶ Page 186
Please note: Installation instructions ▶ Page 187

Min. -20°C
Max. +60°C

inch Imperial dimensions
▶ Page 747

Dimensions [mm]

d1	d2	B	B1	Øs	dn	Part No.
6	12	19	13.5	1.10	11.5	RJMP-01-06
8	16	25	16.2	1.10	15.2	RJMP-01-08
10	19	29	21.6	1.30	17.5	RJMP-01-10
12	22	32	22.6	1.30	20.5	RJMP-01-12
16	26	36	24.6	1.30	24.2	RJMP-01-16
20	32	45	31.2	1.60	29.6	RJMP-01-20
25	40	58	43.7	1.85	36.5	RJMP-01-25
30	47	68	51.7	1.85	43.5	RJMP-01-30

Technical data

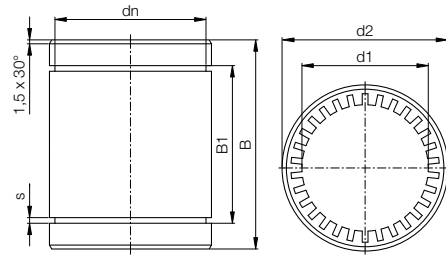
Part No.	d1 tolerance ⁷⁸⁾	Fmax. dynamic ⁸²⁾	Fmax. static ⁸²⁾	Weight
	[mm]	p = 2.5MPa [N]	p = 17.5MPa [N]	
RJMP-01-06	+0.000 +0.030	200	1,400	2
RJMP-01-08	+0.000 +0.040	250	1,750	4
RJMP-01-10	+0.000 +0.040	363	2,538	7
RJMP-01-12	+0.000 +0.040	480	3,360	9
RJMP-01-16	+0.000 +0.040	720	5,040	13
RJMP-01-20	+0.000 +0.040	1,125	7,875	24
RJMP-01-25	+0.000 +0.050	1,813	12,688	47
RJMP-01-30	+0.000 +0.050	2,550	17,850	72

Can be combined with:



drylin® R solid plastic bearings | Product range **New**

Standard design made from iglidur® A180 (for contact with food)



Order key

Type	Size
R A180 M-01-10	
Closed	iglidur® A180
	Metric
	Standard
	Inner Ø d1

● FDA-compliant igus® polymer for use in the food environment

Min. -20°C
Max. +60°C



⁷⁸⁾ According to igus® testing method ► Page 260
⁸²⁾ Design tips ► Page 186
⁸³⁾ Applies by room temperature: press-fit decrease with time depending on the temperature
Please note: Installation instructions ► Page 187

Dimensions [mm]

d1	d2	B	B1	Øs	dn	Part No.
12	22	32	22.6	1.3	20.5	RA180M-01-12 New
16	26	36	24.6	1.3	24.2	RA180M-01-16 New
20	32	45	31.2	1.6	29.6	RA180M-01-20 New

Technical data

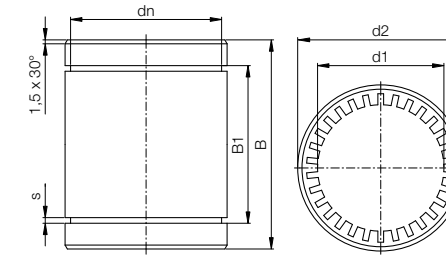
Part No.	d1 tolerance ⁷⁸⁾ [mm]	Fmax. dynamic ⁸²⁾	Fmax. static ⁸²⁾	Weight [g]	Press-fit force ⁸³⁾ [N]
		p = 2MPa [N]	p = 2MPa [N]		
RA180M-01-12 New	+0.03 +0.08	400	1,600	9	1,300
RA180M-01-16 New	+0.03 +0.07	700	2,800	13	1,100
RA180M-01-20 New	+0.04 +0.09	1,000	4,000	24	1,500

Can be combined with:



drylin® R solid plastic bearings | Product range **New**

Standard design made from iglidur® A160 (for contact with food), visually detectable



Order key

Type	Size
R A160 M-01-10	
Closed	iglidur® A160
	Metric
	Standard
	Inner Ø d1

● FDA-compliant igus® polymer for use in the food environment

Min. -20°C
Max. +60°C



⁷⁸⁾ According to igus® testing method ► Page 260
⁸²⁾ Design tips ► Page 186
⁸³⁾ Applies by room temperature: press-fit decrease with time depending on the temperature
Please note: Installation instructions ► Page 187

Dimensions [mm]

d1	d2	B	B1	Øs	dn	Part No.
12	22	32	22.6	1.3	20.5	RA160M-01-12 New
16	26	36	24.6	1.3	24.2	RA160M-01-16 New
20	32	45	31.2	1.6	29.6	RA160M-01-20 New

Technical data

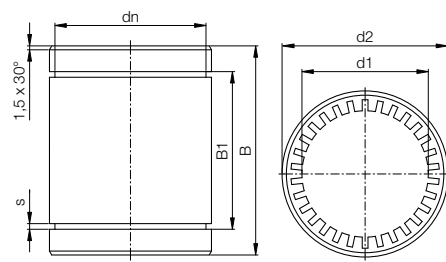
Part No.	d1 tolerance ⁷⁸⁾ [mm]	Fmax. dynamic ⁸²⁾	Fmax. static ⁸²⁾	Weight [g]	Press-fit force ⁸³⁾ [N]
		p = 2MPa [N]	p = 2MPa [N]		
RA160M-01-12 New	+0.03 +0.08	400	1,600	9	1,300
RA160M-01-16 New	+0.03 +0.07	700	2,800	13	1,100
RA160M-01-20 New	+0.04 +0.09	1,000	4,000	24	1,500

Can be combined with:



drylin® R solid plastic bearings | Product range

Linear plain bearings with Japanese dimensions
made from iglidur® J4



Order key

Type	Size
R J4 J P -01-10	
Closed	iglidur® J4
Japan standard	Precision
Standard	Inner Ø d1

- Alternative to ball bearings with Japanese dimension
- Quickly assembled
- Secured by circlips

i ⁷⁸⁾ According to igus® testing method ▶ Page 260
⁸²⁾ Design tips ▶ Page 186

Please note: Installation instructions ▶ Page 187

Material properties ▶ Page 772

+ Min. -20°C
Max. +60°C

Dimensions [mm]

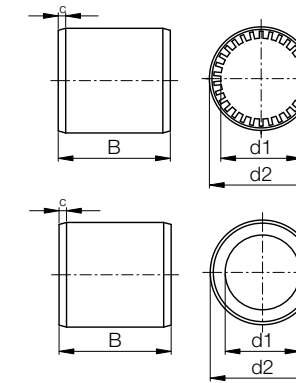
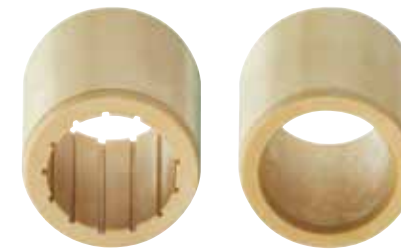
d1	d2	B	B1	Øs	dn	Part No.
8	15	24	17.5	1.1	14.3	RJ4JP-01-08
10	19	29	22.0	1.3	18.0	RJ4JP-01-10
12	21	30	23.0	1.3	20.0	RJ4JP-01-12
16	28	37	26.5	1.6	26.6	RJ4JP-01-16
20	32	42	30.5	1.6	30.3	RJ4JP-01-20
25	40	59	41.1	1.85	37.5	RJ4JP-01-25
30	45	64	44.6	1.85	42.5	RJ4JP-01-30

Technical data

Part No.	d1 tolerance ⁷⁸⁾ [mm]	Fmax. dynamic ⁸²⁾ p = 5MPa		Fmax. static ⁸²⁾ p = 35MPa		Weight [g]
		[N]	[N]	[N]	[N]	
RJ4JP-01-08	+0.000 +0.040	200	800			2
RJ4JP-01-10	+0.000 +0.040	300	1,200			6
RJ4JP-01-12	+0.000 +0.040	400	1,600			8
RJ4JP-01-16	+0.000 +0.040	700	2,800			16
RJ4JP-01-20	+0.000 +0.040	1,000	4,000			23
RJ4JP-01-25	+0.000 +0.050	1,550	6,500			47
RJ4JP-01-30	+0.000 +0.050	2,200	8,500			72

drylin® R solid plastic bearings | Product range

Low-cost linear plain bearings made from iglidur® J260



Order key

Type	Size
R J260 U M -02-12	
Closed	iglidur® J260
Grooved	Metric
Compact	Inner Ø d1

- 2 variations: RJ260M (with plain design) and RJ260UM (grooved structure)

i ⁷⁸⁾ According to igus® testing method ▶ Page 260
⁸²⁾ Design tips ▶ Page 186

Please note: Installation instructions ▶ Page 187

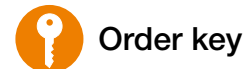
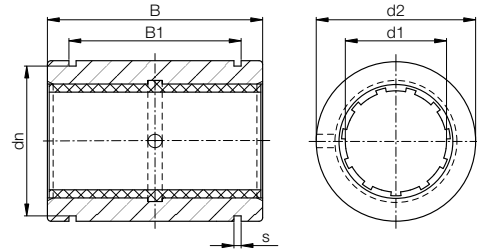
+ Min. -20°C
Max. +60°C

Dimensions [mm]

d1	d2	B	C	Part No.
12	19	28	1.5x15°	RJ260UM-02-12
16	24	30	1.5x15°	RJ260UM-02-16
20	28	30	2.0x15°	RJ260UM-02-20
25	35	40	2.0x15°	RJ260UM-02-25

Technical data

Part No.	d1 tolerance ⁷⁸⁾ [mm]	Fmax. dynamic ⁸²⁾ p = 2.5MPa		Fmax. static ⁸²⁾ p = 17.5MPa		Weight [g]
		[N]	[N]	[N]	[N]	
RJ260UM-02-12	+0.035 +0.080	420	2,940			6.2
RJ260UM-02-16	+0.035 +0.080	600	4,200			9.7
RJ260UM-02-20	+0.040 +0.095	750	5,250			11.7
RJ260UM-02-25	+0.040 +0.095	1,250	8,750			22.8



Type	Size
R J U M-01-10	
Closed	Inner Ø d1
iglidur® J	
Liner	
Metric	
Standard	

● Secured by circlips

Imperial dimensions
▶ Page 749

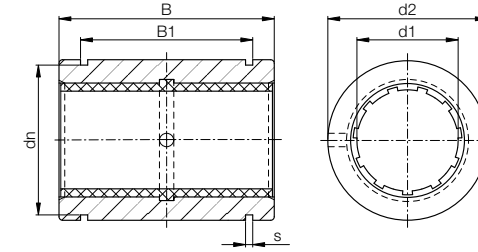
⁷⁸⁾ According to igus® testing method ▶ Page 260
⁸¹⁾ Ø < 10mm use press-fitted sleeve plain bearings
⁸²⁾ Design tips ▶ Page 186
Please note: Installation instructions ▶ Page 187

Dimensions [mm]

d1	d2	B	B1	Øs	dn	Part No.
	h7	h10	H10	H10	h10	
5	12	22	14.2	1.10	11.5	RJZM-01-05 ⁸¹⁾
6	12	22	14.2	1.10	11.5	RJZM-01-06 ⁸¹⁾
8	16	25	16.2	1.10	15.2	RJZM-01-08 ⁸¹⁾
10	19	29	21.6	1.30	17.5	RJUM-01-10
12	22	32	22.6	1.30	20.5	RJUM-01-12
16	26	36	24.6	1.30	24.2	RJUM-01-16
20	32	45	31.2	1.60	29.6	RJUM-01-20
25	40	58	43.7	1.85	36.5	RJUM-01-25
30	47	68	51.7	1.85	43.5	RJUM-01-30
40	62	80	60.3	2.15	57.8	RJUM-01-40
50	75	100	77.3	2.65	70.5	RJUM-01-50
60	90	125	101.7	3.15	86.5	RJUM-01-60

Technical data

Part No.	d1 tolerance ⁷⁸⁾ [mm]	Fmax. dynamic ⁸²⁾		Weight [g]
		p = 5MPa [N]	p = 35MPa [N]	
RJZM-01-05 ⁸¹⁾	+0.025 +0.060	525	3,675	5
RJZM-01-06 ⁸¹⁾	+0.025 +0.060	525	3,675	5
RJZM-01-08 ⁸¹⁾	+0.032 +0.070	960	6,720	9
RJUM-01-10	+0.030 +0.088	725	5,075	14
RJUM-01-12	+0.030 +0.088	960	6,720	21
RJUM-01-16	+0.030 +0.088	1,440	10,080	28
RJUM-01-20	+0.030 +0.091	2,250	15,750	49
RJUM-01-25	+0.030 +0.091	3,625	25,375	108
RJUM-01-30	+0.040 +0.110	5,100	35,700	162
RJUM-01-40	+0.040 +0.115	8,000	56,000	334
RJUM-01-50	+0.050 +0.130	9,000	87,500	579
RJUM-01-60	+0.050 +0.140	12,000	120,000	1,070



Type	Size
R J U M-11-10	
Closed	Inner Ø d1
iglidur® J	
Liner	
Metric	
Precision	

● Max. bearing clearance reduced by 50%

● Secured by circlips

⁷⁸⁾ According to igus® testing method ▶ Page 260
⁸²⁾ Design tips ▶ Page 186
Please note: Installation instructions ▶ Page 187

Dimensions [mm]

d1	d2	B	B1	Øs	dn	Part No.
	h7	h10	H10	H10	h10	
10	19	29	21.6	1.30	17.5	RJUM-11-10
12	22	32	22.6	1.30	20.5	RJUM-11-12
16	26	36	24.6	1.30	24.2	RJUM-11-16
20	32	45	31.2	1.60	29.6	RJUM-11-20
25	40	58	43.7	1.85	36.5	RJUM-11-25
30	47	68	51.7	1.85	43.5	RJUM-11-30
40	62	80	60.3	2.15	57.8	RJUM-11-40
50	75	100	77.3	2.65	70.5	RJUM-11-50

Technical data

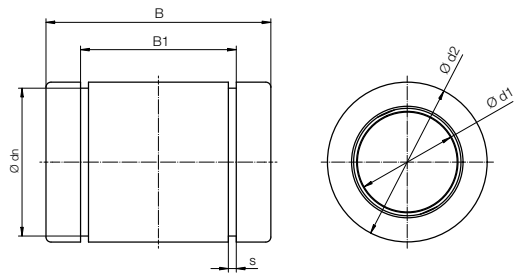
Part No.	d1 tolerance ⁷⁸⁾ [mm]	Fmax. dynamic ⁸²⁾		Weight [g]
		p = 5MPa [N]	p = 35MPa [N]	
RJUM-11-10	+0.000 +0.058	725	5,075	14
RJUM-11-12	+0.000 +0.058	960	6,720	21
RJUM-11-16	+0.000 +0.058	1,440	10,080	28
RJUM-11-20	+0.000 +0.061	2,250	15,750	49
RJUM-11-25	+0.000 +0.061	3,625	25,375	108
RJUM-11-30	+0.000 +0.075	5,100	35,700	162
RJUM-11-40	+0.000 +0.080	8,000	56,000	334
RJUM-11-50	+0.000 +0.090	12,500	87,500	579

Can be combined with:



Available with drylin® liners (optional: J200/A180):





Order key

Type Size

RW360C M-01-12

Closed	igidur® W360	Clip-in liner	Metric	Standard	Inner Ø d1
--------	--------------	---------------	--------	----------	------------

- Easy-running lubrication-free clip-on films with reduced elasticity
- Up to 50% lower clearance in operation



⁷⁸⁾ According to igus® testing method ▶ Page 260

⁸²⁾ Design tips ▶ Page 186

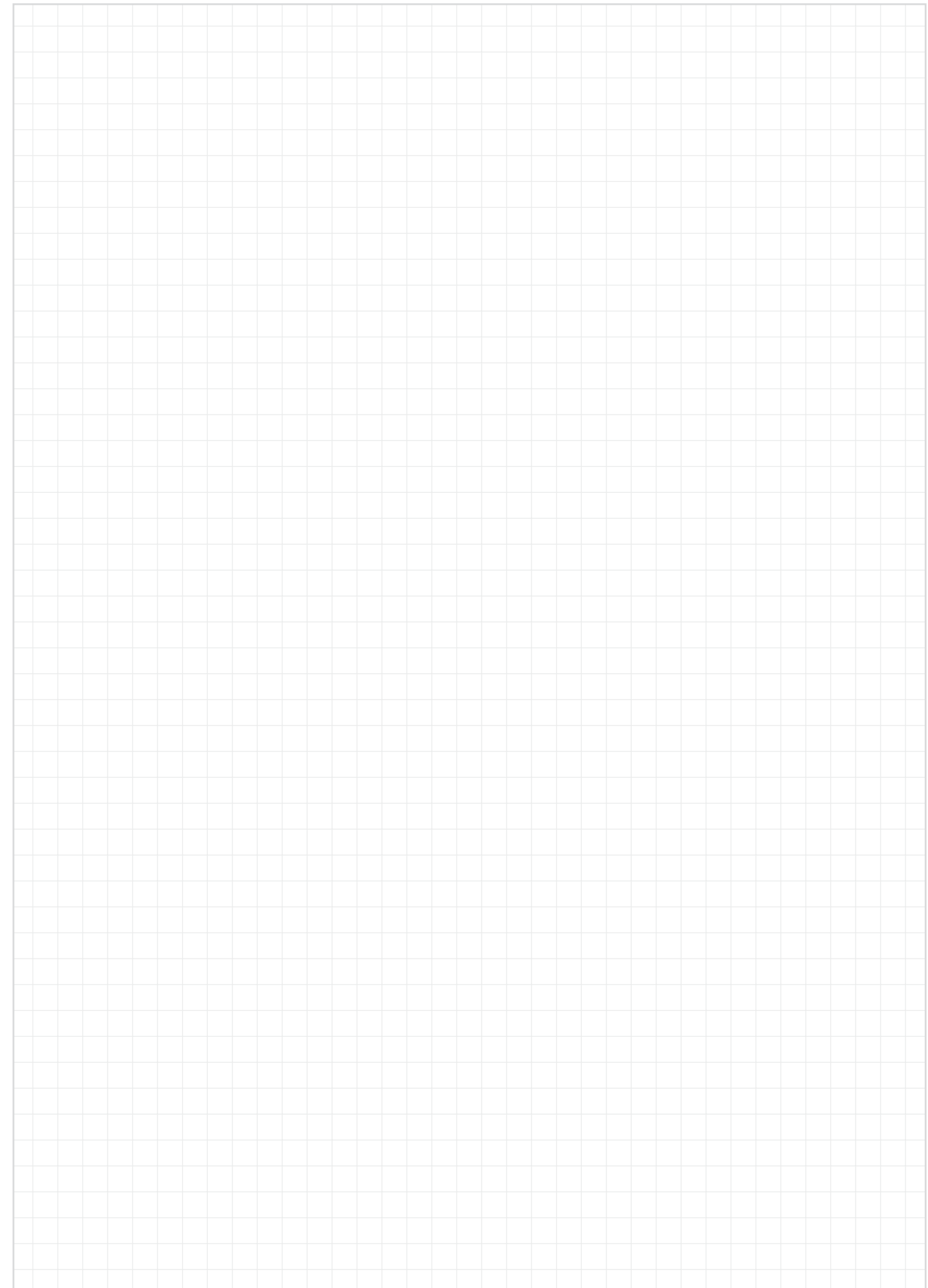
Please note: Installation instructions ▶ Page 187

Dimensions [mm]

d1	d2 h6	B +0.1	B1 -0.1	Øs H10	dn h10	Part No.
12	22	32	22.6	1.30	20.5	RW360CM-01-12 New
16	26	36	24.6	1.30	24.2	RW360CM-01-16 New
20	32	45	31.2	1.60	29.6	RW360CM-01-20 New

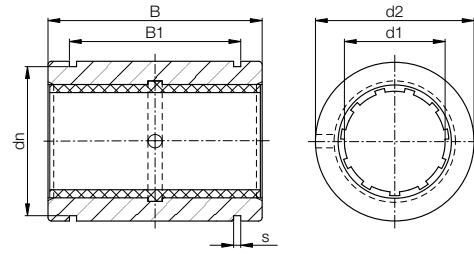
Technical data

Part No.	d1 tolerance ⁷⁸⁾ [mm]	Fmax. dynamic ⁸²⁾ [N]	Fmax. static ⁸²⁾ [N]	Weight [g]
RW360CM-01-12 New	+0.01 +0.05	960	1,920	21
RW360CM-01-16 New	+0.01 +0.05	1,140	2,280	28
RW360CM-01-20 New	+0.01 +0.05	2,250	4,500	55



drylin® R linear plain bearings | Product range

Closed stainless steel adapters made of stainless steel 303



Order key

Type	Size	Material
R J U M-01- 12 -ES		
Closed	iglidur® J	Stainless steel
	Liner	
	Metric	
	Standard	
	Inner Ø d1	

● Secured by circlips

i ⁷⁸⁾ According to igus® testing method ▶ Page 260
⁸²⁾ Design tips ▶ Page 186
 Please note: Installation instructions ▶ Page 187

Dimensions [mm]

d1	d2	B	B1	Øs	dn	Part No.
	h7	h10	H10	H10	h10	
12	22	32	22.6	1.30	20.5	RJUM-01-12-ES
16	26	36	24.6	1.30	24.2	RJUM-01-16-ES
20	32	45	31.2	1.60	29.6	RJUM-01-20-ES
25	40	58	43.7	1.85	36.5	RJUM-01-25-ES
30	47	68	51.7	1.85	43.5	RJUM-01-30-ES

Technical data

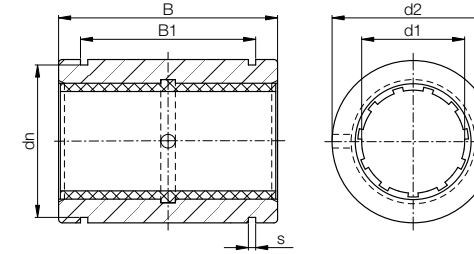
Part No.	d1 tolerance ⁷⁸⁾ [mm]	Fmax. dynamic ⁸²⁾	Fmax. static ⁸²⁾	Weight [g]
		p = 5MPa [N]	p = 35MPa [N]	
RJUM-01-12-ES	+0.030 +0.088	960	6,720	60
RJUM-01-16-ES	+0.030 +0.088	1,440	10,080	84
RJUM-01-20-ES	+0.030 +0.091	2,250	15,750	147
RJUM-01-25-ES	+0.030 +0.091	3,625	25,375	324
RJUM-01-30-ES	+0.040 +0.110	5,100	35,700	486

Available with drylin® liners (optional: J200/A180):



drylin® R linear plain bearings | Product range

Closed, anodised aluminium adapters with iglidur® E7 liner



Order key

Type	Size
RE7U M-01-10	
Closed	iglidur® E7
	Liner
	Metric
	Standard
	Inner Ø d1

● Secured by circlips

i ⁷⁸⁾ According to igus® testing method ▶ Page 260
⁸²⁾ Design tips ▶ Page 186
 Please note: Installation instructions ▶ Page 187

Dimensions [mm]

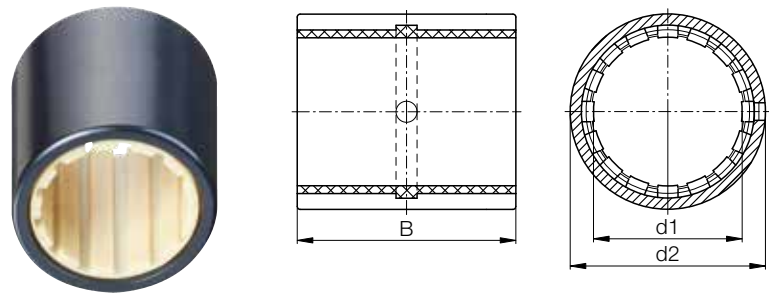
d1	d2	B	B1	Øs	dn	Part No.
	h7	h10	H10	H10	h10	
10	19	29	21.6	1.30	17.5	RE7UM-01-10
12	22	32	22.6	1.30	20.5	RE7UM-01-12
16	26	36	24.6	1.30	24.2	RE7UM-01-16
20	32	45	31.2	1.60	29.6	RE7UM-01-20
25	40	58	43.7	1.85	36.5	RE7UM-01-25
30	47	68	51.7	1.85	43.5	RE7UM-01-30
40	62	80	60.3	2.15	57.8	RE7UM-01-40
50	75	100	77.3	2.65	70.5	RE7UM-01-50
60	90	125	101.7	3.15	86.5	RE7UM-01-60

Technical data

Part No.	d1 tolerance ⁷⁸⁾ [mm]	Fmax. dynamic ⁸²⁾	Fmax. static ⁸²⁾	Weight [g]
		p = 2.5MPa [N]	p = 18MPa [N]	
RE7UM-01-10	+0.030 +0.088	360	2,610	14
RE7UM-01-12	+0.030 +0.088	480	3,450	21
RE7UM-01-16	+0.030 +0.088	720	5,180	28
RE7UM-01-20	+0.030 +0.091	1,120	8,100	49
RE7UM-01-25	+0.030 +0.091	1,810	13,050	108
RE7UM-01-30	+0.040 +0.110	2,550	18,360	162
RE7UM-01-40	+0.040 +0.115	4,000	28,800	334
RE7UM-01-50	+0.050 +0.180	4,500	45,000	579
RE7UM-01-60	+0.050 +0.190	6,000	61,700	1,070

drylin® R linear plain bearings | Product range

Closed, anodised aluminium adapters, short design



Order key

Type	Size
R J U M-02-10	
Closed	
iglidur® J	
Liner	
Metric	
Compact	
Inner Ø d1	

● Also available as a reduced clearance version
RJUM-12 (Ø 10-50mm)



⁷⁸⁾ According to igus® testing method ► Page 260
⁸¹⁾ Ø < 10mm use press-fitted sleeve bearings
⁸²⁾ Design tips ► Page 186
Please note: Installation instructions ► Page 187

Dimensions [mm]

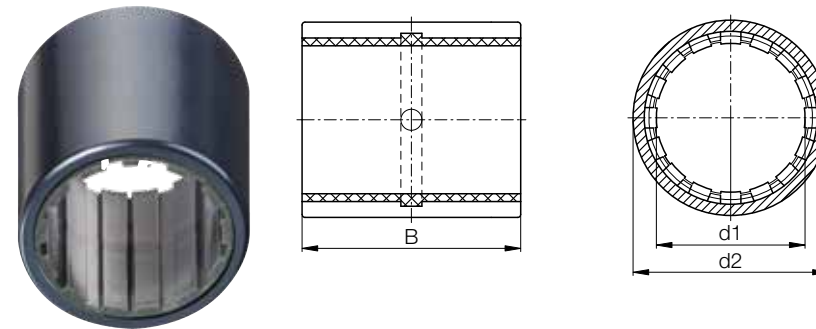
d1	d2	B	Part No.
	k7	h10	
6	12	22	RJZM-02-06 ⁸¹⁾
8	15	24	RJZM-02-08 ⁸¹⁾
10	17	26	RJUM-02-10
12	19	28	RJUM-02-12
16	24	30	RJUM-02-16
20	28	30	RJUM-02-20
25	35	40	RJUM-02-25
30	40	50	RJUM-02-30
40	52	60	RJUM-02-40
50	62	70	RJUM-02-50

Technical data

Part No.	Housing hole Ø H7 [mm]	d1 tolerance ⁷⁸⁾ [mm]	Fmax. dynamic ⁸²⁾ p = 5MPa [N]	Fmax. static ⁸²⁾ p = 35MPa [N]	Weight [g]
RJZM-02-06 ⁸¹⁾	12	+0.032 +0.070	600	4,200	4
RJZM-02-08 ⁸¹⁾	15	+0.032 +0.070	650	4,550	6
RJUM-02-10	17	+0.030 +0.088	650	4,550	8
RJUM-02-12	19	+0.030 +0.088	840	5,880	10
RJUM-02-16	24	+0.030 +0.088	1,200	8,400	17
RJUM-02-20	28	+0.030 +0.091	1,500	10,500	18
RJUM-02-25	35	+0.030 +0.091	2,500	17,500	42
RJUM-02-30	40	+0.040 +0.110	3,750	26,250	56
RJUM-02-40	52	+0.040 +0.115	6,000	42,000	113
RJUM-02-50	62	+0.050 +0.130	8,750	61,250	147

drylin® R linear plain bearings | Product range

Closed, anodised aluminium adapters, short design
with iglidur® E7 liner



Order key

Type	Size
RE7U M-02-10	
Closed	
iglidur® E7	
Liner	
Metric	
Compact	
Inner Ø d1	



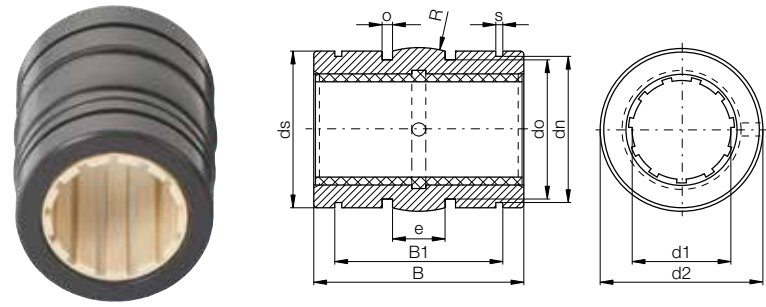
⁷⁸⁾ According to igus® testing method ► Page 260
⁸²⁾ Design tips ► Page 186
Please note: Installation instructions ► Page 187

Dimensions [mm]

d1	d2	B	Part No.
	k7	h10	
10	17	26	RE7UM-02-10
12	19	28	RE7UM-02-12
16	24	30	RE7UM-02-16
20	28	30	RE7UM-02-20
25	35	40	RE7UM-02-25
30	40	50	RE7UM-02-30
40	52	60	RE7UM-02-40
50	62	70	RE7UM-02-50

Technical data

Part No.	Housing hole Ø H7 [mm]	d1 tolerance ⁷⁸⁾ [mm]	Fmax. dynamic ⁸²⁾ p = 2.5MPa [N]	Fmax. static ⁸²⁾ p = 18MPa [N]	Weight [g]
RE7UM-02-10	17	+0.030 +0.088	325	2,340	8
RE7UM-02-12	19	+0.030 +0.088	420	3,020	10
RE7UM-02-16	24	+0.030 +0.088	600	4,320	17
RE7UM-02-20	28	+0.030 +0.091	750	5,400	18
RE7UM-02-25	35	+0.030 +0.091	1,250	9,000	42
RE7UM-02-30	40	+0.040 +0.110	1,875	13,500	56
RE7UM-02-40	52	+0.040 +0.115	3,000	21,600	113
RE7UM-02-50	62	+0.050 +0.180	4,375	31,500	147



Order key

Type	Size
R J U M-03-10	
Closed	
iglidur® J	
Liner	
Metric	
Self-aligning	
Inner Ø d1	

● With reduced outer diameter, spherical middle area, O-rings for elastic fit and hard-anodised surface

- i** ⁷⁸⁾ According to igus® testing method ▶ Page 260
- ⁸¹⁾ Ø < 10mm use press-fitted sleeve plain bearings
- ⁸²⁾ Design tips ▶ Page 186
- Please note: Installation instructions ▶ Page 187
- Floating bearing ▶ Page 186
- inch** Imperial dimensions ▶ Page 749

Dimensions [mm]

d1	d2	B	B1	Øs	dn	ds	do	o	e	R	Part No.
	h8	h10	H10	H10	h10	h10		+0.1			
8	15.8	24.9	16.4	1.10	15.0	15.5	13.2	1.86	5.0	20.0	RJZM-03-08 ⁸¹⁾
10	18.8	28.9	21.8	1.30	17.5	18.5	15.4	1.86	5.0	13.0	RJUM-03-10
12	21.8	31.9	22.8	1.30	20.5	21.5	18.4	1.86	6.0	18.0	RJUM-03-12
16	25.8	35.9	24.9	1.30	24.2	25.5	20.4	2.86	8.0	32.0	RJUM-03-16
20	31.8	44.8	31.5	1.60	29.6	31.5	26.4	2.86	10.0	50.0	RJUM-03-20
25	39.8	57.8	44.1	1.85	36.5	39.0	34.4	2.86	12.5	39.0	RJUM-03-25
30	46.7	67.8	52.1	1.85	43.5	46.0	41.4	2.86	15.0	57.0	RJUM-03-30
40	61.7	79.8	60.9	2.15	57.8	61.0	56.4	2.86	20.0	100.0	RJUM-03-40
50	74.7	99.8	78.0	2.65	70.5	74.0	69.4	2.86	25.0	157.0	RJUM-03-50

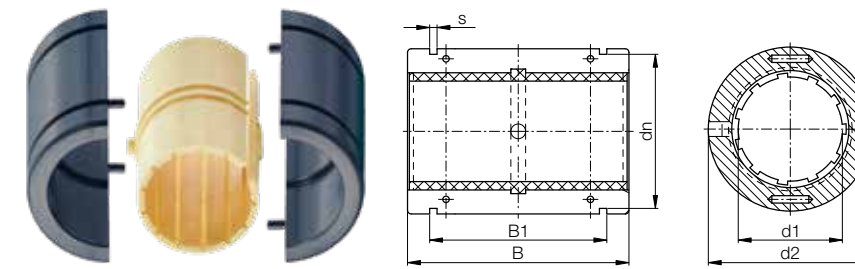
Technical data

Part No.	Housing hole Ø H7 [mm]	d1 tolerance ⁷⁸⁾ [mm]	Fmax. dynamic ⁸²⁾	Fmax. static ⁸²⁾	Weight [g]
			p = 5MPa [N]	p = 35MPa [N]	
RJZM-03-08 ⁸¹⁾	16	+0.032 +0.070	960	6,720	8
RJUM-03-10	19	+0.030 +0.088	725	5,075	11
RJUM-03-12	22	+0.030 +0.088	960	6,720	17
RJUM-03-16	26	+0.030 +0.088	1,440	10,080	23
RJUM-03-20	32	+0.030 +0.091	2,250	15,750	44
RJUM-03-25	40	+0.030 +0.091	3,625	25,375	92
RJUM-03-30	47	+0.040 +0.110	5,100	35,700	145
RJUM-03-40	62	+0.040 +0.115	8,000	56,000	311
RJUM-03-50	75	+0.050 +0.150	12,500	87,500	542

Can be combined with:



Available with drylin® liners (optional: J200/A180):



Order key

Type	Size
T J U M-01-10	
Splittable	
iglidur® J	
Liner	
Metric	
Standard	
Inner Ø d1	

● Quick replacement of the liner without removing the shaft

- i** ⁷⁸⁾ According to igus® testing method ▶ Page 260
- ⁸²⁾ Design tips ▶ Page 186
- Please note: Installation instructions ▶ Page 187
- inch** Imperial dimensions ▶ page 750

Dimensions [mm]

d1	d2	B	B1	Øs	dn	Part No.
		h10	H10	H10	h10	
10	19 -0.020 -0.040	29	21.6	1.30	17.5	TJUM-01-10
12	22 -0.020 -0.040	32	22.6	1.30	20.5	TJUM-01-12
16	26 -0.020 -0.040	36	24.6	1.30	24.2	TJUM-01-16
20	32 -0.020 -0.045	45	31.2	1.60	29.6	TJUM-01-20
25	40 -0.030 -0.055	58	43.7	1.85	36.5	TJUM-01-25
30	47 -0.030 -0.055	68	51.7	1.85	43.5	TJUM-01-30
40	62 -0.030 -0.060	80	60.3	2.15	57.8	TJUM-01-40
50	75 -0.030 -0.060	100	77.3	2.65	70.5	TJUM-01-50

Technical data

Part No.	d1 tolerance ⁷⁸⁾ [mm]	Fmax. dynamic ⁸²⁾	Fmax. static ⁸²⁾	Weight [g]
		p = 5MPa [N]	p = 35MPa [N]	
TJUM-01-10	+0.030 +0.092	725	5,075	14
TJUM-01-12	+0.030 +0.097	960	6,720	19
TJUM-01-16	+0.030 +0.097	1,440	10,080	27
TJUM-01-20	+0.030 +0.103	2,250	15,750	49
TJUM-01-25	+0.030 +0.103	3,625	25,375	106
TJUM-01-30	+0.040 +0.124	5,100	35,700	166
TJUM-01-40	+0.040 +0.124	8,000	56,000	347
TJUM-01-50	+0.050 +0.196	12,500	87,500	577

Can be combined with:

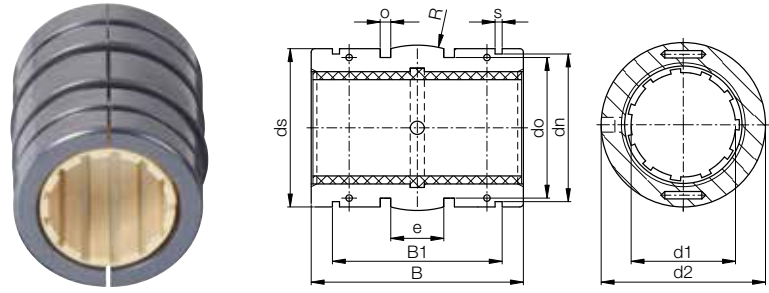


Available with drylin® liners (optional: J200/A180):



drylin® R linear plain bearings | Product range

Split aluminium adapters (floating bearing)



Order key

Type	Size
T J U M-03-10	
Splittable	
iglidur® J	
Liner	
Metric	
Self-aligning	
Inner Ø d1	

- Split aluminium adapter with spherical middle area for automatic compensation of misalignments and O-rings for elastic seating

- i** ⁷⁸⁾ According to igus® testing method ▶ Page 260
- ⁸²⁾ Design tips ▶ Page 186
- Please note: Installation instructions ▶ Page 187
- Floating bearing ▶ Page 186
- inch** Imperial dimensions ▶ page 750

Dimensions [mm]

d1	d2	B	B1	Øs	dn	ds	do	o	e	R	Part No.	
		h10	H10	H10	h10	h10		+0.1				
10	19	-0.020 -0.040	28.9	21.8	1.30	17.5	18.5	15.4	1.86	5.0	13.0	TJUM-03-10
12	22	-0.020 -0.040	31.9	22.8	1.30	20.5	21.5	18.4	1.86	6.0	18.0	TJUM-03-12
16	26	-0.020 -0.040	35.9	24.9	1.30	24.2	25.5	20.4	2.86	8.0	32.0	TJUM-03-16
20	32	-0.020 -0.045	44.8	31.5	1.60	29.6	31.5	26.4	2.86	10.0	50.0	TJUM-03-20
25	40	-0.030 -0.055	57.8	44.1	1.85	36.5	39.0	34.4	2.86	12.5	39.0	TJUM-03-25
30	47	-0.030 -0.055	67.8	52.1	1.85	43.5	46.0	41.4	2.86	15.0	57.0	TJUM-03-30
40	62	-0.030 -0.060	79.8	60.9	2.15	57.8	61.0	56.4	2.86	20.0	100.0	TJUM-03-40
50	75	-0.030 -0.060	99.8	78.0	2.65	70.5	74.0	69.4	2.86	25.0	157.0	TJUM-03-50

Technical data

Part No.	d1 tolerance ⁷⁸⁾ [mm]	Fmax. dynamic ⁸²⁾ p = 5MPa		Fmax. static ⁸²⁾ p = 35MPa		Weight [g]
		[N]	[N]	[N]	[N]	
TJUM-03-10	+0.030 +0.092	725	5,075	5,075	11	
TJUM-03-12	+0.030 +0.097	960	6,720	6,720	17	
TJUM-03-16	+0.030 +0.097	1,440	10,080	10,080	23	
TJUM-03-20	+0.030 +0.103	2,250	15,750	15,750	44	
TJUM-03-25	+0.030 +0.103	3,625	25,375	25,375	92	
TJUM-03-30	+0.040 +0.124	5,100	35,700	35,700	145	
TJUM-03-40	+0.040 +0.124	8,000	56,000	56,000	311	
TJUM-03-50	+0.050 +0.196	12,500	87,500	87,500	542	

Can be combined with:

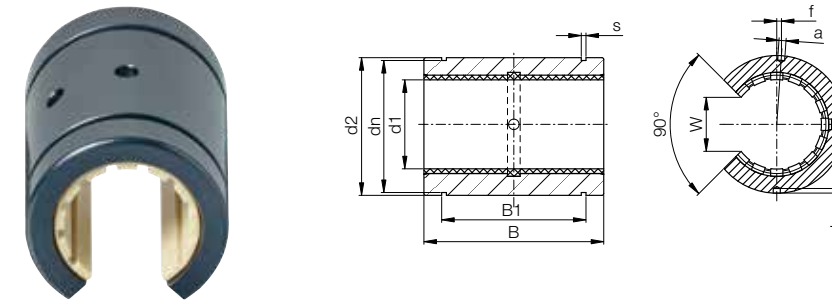


Available with drylin® liners (optional: J200/A180):



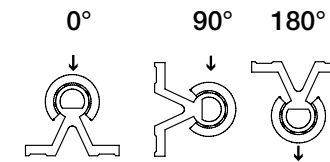
drylin® R linear plain bearings | Product range

Open, anodised aluminium adapters - for supported shafts



Order key

Type	Size
O J U M-01-10	
Open	
iglidur® J	
Liner	
Metric	
Standard	
Inner Ø d1	



- i** ⁷⁸⁾ According to igus® testing method ▶ Page 260
- ⁸²⁾ Design tips ▶ Page 186
- Please note: Installation instructions ▶ Page 187
- inch** Imperial dimensions ▶ Page 748

Dimensions [mm]

d1	d2	B	W	a	dn	B1	Øs	f	h	Part No.
		h10	-1	+0.1	h10	H10	H10	±0.2	-0.5	
10	19	29	7.3	0.0	17.5	21.6	1.30	0	1.2	OJUM-01-10
12	22	32	9.0	3.0	20.5	22.6	1.30	1.33 (7°)	1.2	OJUM-01-12
16	26	36	11.6	2.2	24.2	24.6	1.30	0	1.2	OJUM-01-16
20	32	45	12.0	2.2	29.6	31.2	1.60	0	1.2	OJUM-01-20
25	40	58	14.5	3.0	36.5	43.7	1.85	-1.5 (-4.3°)	1.5	OJUM-01-25
30	47	68	16.6	3.0	43.5	51.7	1.85	2 (4.9°)	2.0	OJUM-01-30
40	62	80	21.0	3.0	57.8	60.3	2.15	1.5 (2.8°)	2.0	OJUM-01-40
50	75	100	25.5	5.0	70.5	77.3	2.65	2.5 (3.8°)	2.0	OJUM-01-50

Technical data

Part No.	d1 tolerance ⁷⁸⁾	Fmax. dynamic ⁸²⁾ p = 5MPa			Fmax. static ⁸²⁾ p = 35MPa			Weight [g]
		0°	90°	180°	0°	90°	180°	
		OJUM-01-10	+0.030 +0.088	725	500	196	5,075	
OJUM-01-12	+0.030 +0.088	960	635	240	6,720	4,445	1,680	15
OJUM-01-16	+0.030 +0.088	1,440	990	396	10,080	6,943	2,772	21
OJUM-01-20	+0.030 +0.091	2,250	1,800	900	15,750	12,600	6,300	42
OJUM-01-25	+0.030 +0.091	3,625	2,953	1,523	25,375	20,670	10,658	70
OJUM-01-30	+0.040 +0.110	5,100	4,250	2,278	35,700	29,735	15,946	132
OJUM-01-40	+0.040 +0.115	8,000	6,810	3,800	56,000	47,660	26,660	278
OJUM-01-50	+0.050 +0.150	12,500	10,750	6,125	87,500	75,265	42,875	479

Can be combined with:

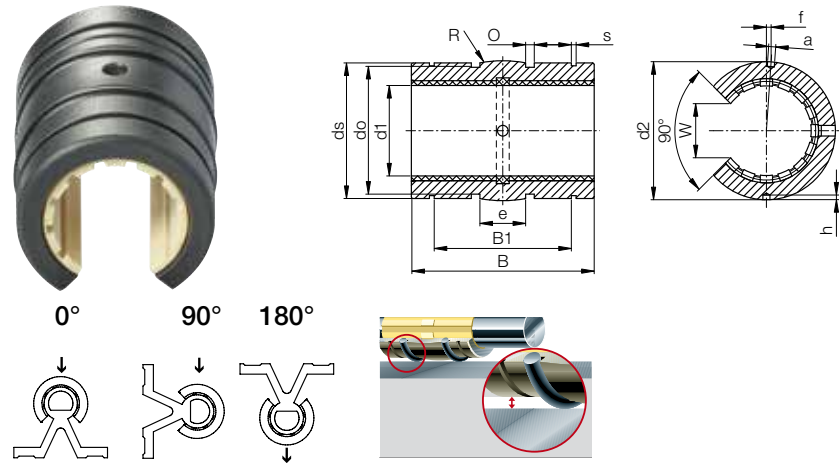


Available with drylin® liners (optional: J200/A180):



drylin® R linear plain bearings | Product range

Open, anodised aluminium adapters, floating bearing



Order key

Type: **O J U M-03-10**

Size: **O J U M-03-10**

Open
iglidur® J
Liner
Metric
Self-aligning
Inner Ø d1

● With reduced outer diameter, spherical middle area, O-rings for elastic fit and hard-anodised surface

- ⁷⁸⁾ According to igus® testing method ▶ Page 260
- ⁸²⁾ Design tips ▶ Page 186
- Please note: Installation instructions ▶ Page 187
- Imperial dimensions ▶ Page 748

Dimensions [mm]

d1	d2	ds	e	o	do	B1	Øs	B	R	W	a	f	h	Part No.
	h8	h10		+0.1		H10	H10	h10		-1	+0.1	±0.2	-0.5	
10	18.8	18.5	5.0	1.86	15.4	21.8	1.30	28.9	13.0	7.3	0.0	0	1.2	OJUM-03-10
12	21.8	21.5	6.0	1.86	18.4	22.8	1.30	31.9	18.0	9.0	3.0	1.33 (7°)	1.2	OJUM-03-12
16	25.8	25.5	8.0	2.86	20.4	24.9	1.30	35.9	32.0	11.6	2.2	0	1.2	OJUM-03-16
20	31.8	31.5	10.0	2.86	26.4	31.5	1.60	44.8	50.0	12.0	2.2	0	1.2	OJUM-03-20
25	39.8	39.0	12.5	2.86	34.4	44.1	1.85	57.8	39.0	14.5	3.0	-1.5 (-4.3°)	1.5	OJUM-03-25
30	46.7	46.0	15.0	2.86	41.4	52.1	1.85	67.8	57.0	16.6	3.0	2 (4.9°)	2	OJUM-03-30
40	61.7	61.0	20.0	2.86	56.4	60.9	2.15	79.8	100.0	21.0	3.0	1.5 (2.8°)	2	OJUM-03-40
50	74.7	74.0	25.0	2.86	69.4	78.0	2.65	99.8	157.0	25.5	5.0	2.5 (3.8°)	2	OJUM-03-50

Technical data

Part No.	Housing hole Ø H7 [mm]	d1 tolerance ⁷⁸⁾		Fmax. dynamic ⁸²⁾ p = 5MPa			Fmax. static ⁸²⁾ p = 35MPa			Weight [g]
		0°	90°	0°	90°	180°	0°	90°	180°	
		0°	90°	180°	0°	90°	180°	0°	90°	
OJUM-03-10	19	+0.030	+0.088	725	500	196	5,075	3,500	1,370	10
OJUM-03-12	22	+0.030	+0.088	960	635	240	6,720	4,445	1,680	13
OJUM-03-16	26	+0.030	+0.088	1,440	990	396	10,080	6,943	2,772	19
OJUM-03-20	32	+0.030	+0.091	2,250	1,800	900	15,750	12,600	6,300	38
OJUM-03-25	40	+0.030	+0.091	3,625	2,953	1,523	25,375	20,670	10,658	63
OJUM-03-30	47	+0.040	+0.110	5,100	4,250	2,278	35,700	29,735	15,946	119
OJUM-03-40	62	+0.040	+0.115	8,000	6,810	3,800	56,000	47,660	26,600	250
OJUM-03-50	75	+0.050	+0.150	12,500	10,750	6,125	87,500	75,265	42,875	431

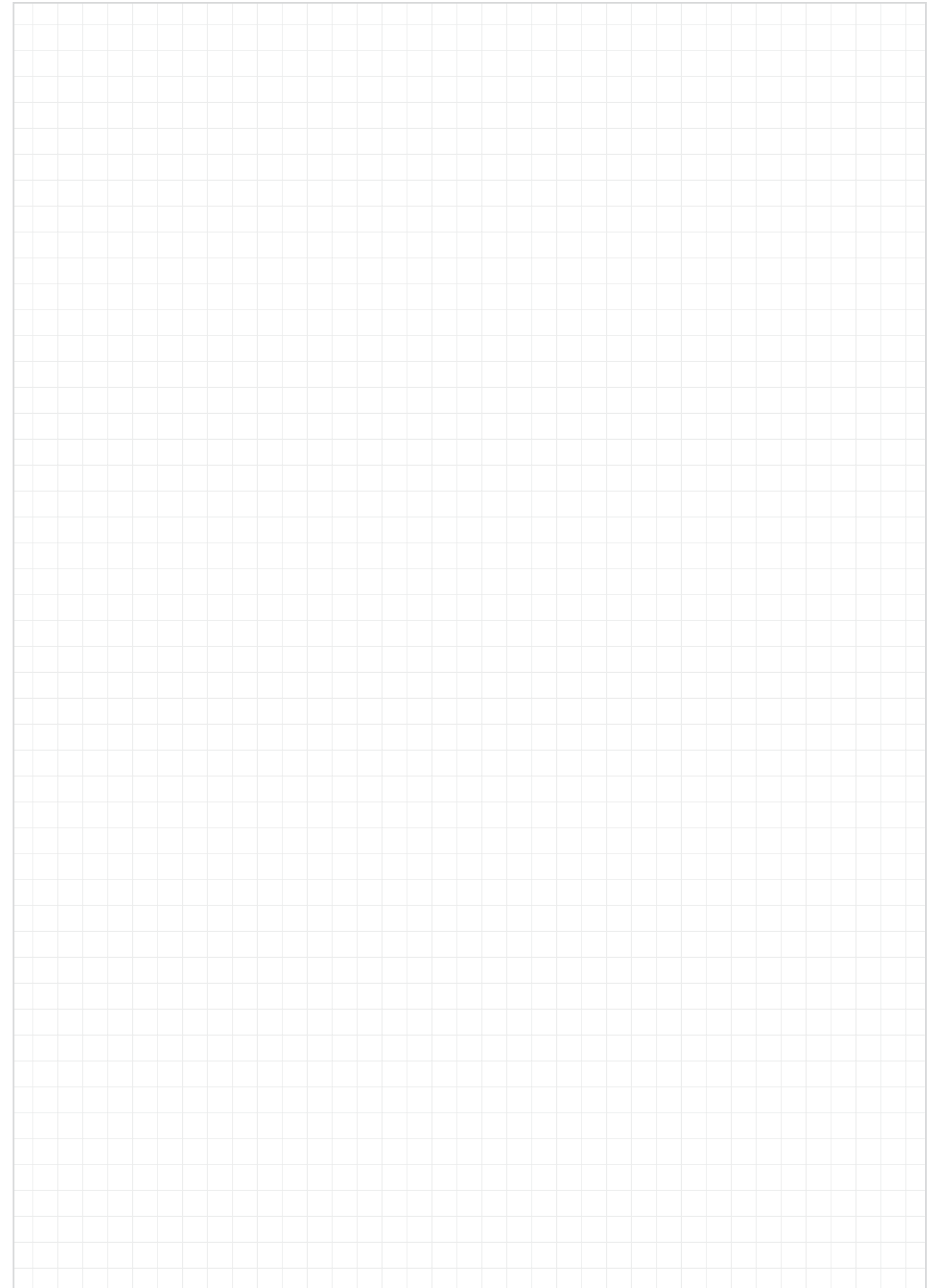
Can be combined with:



Available with drylin® liners (optional: J200/A180):

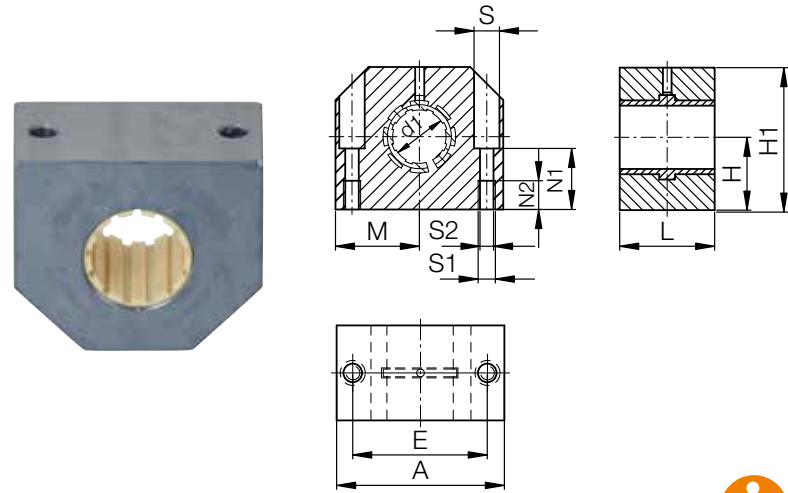


Notes



drylin® R pillow blocks | Product range

Closed, anodised aluminium housing, short design



Order key

Type	Size
R J U M-05-10	
Closed	
iglidur® J	
Liner	
Metric	
Compact	
Inner Ø d1	

i ⁷⁸⁾ According to igus® testing method ▶ Page 260
⁸¹⁾ Ø < 10mm use press-fitted sleeve bearings
⁸²⁾ Design tips ▶ Page 186
 Please note: Installation instructions ▶ Page 187

Dimensions [mm]

d1	H	H1	A	M	E	S	S1	S2	N1	N2	L	Part No.
+0.01 -0.014					±0.15							
8	14	27	32	16.0	23	6.0	M4	3.4	13	9	24	RJZM-05-08 ⁸¹⁾
10	16	33	40	20.0	29	8.0	M5	4.3	16	11	26	RJUM-05-10
12	17	33	40	20.0	29	8.0	M5	4.3	16	11	28	RJUM-05-12
16	19	38	45	22.5	34	8.0	M5	4.3	18	11	30	RJUM-05-16
20	23	45	53	26.5	40	9.5	M6	5.3	22	13	30	RJUM-05-20
25	27	54	62	31.0	48	11.0	M8	6.6	26	18	40	RJUM-05-25
30	30	60	67	33.5	53	11.0	M8	6.6	29	18	50	RJUM-05-30
40	39	76	87	43.5	69	15.0	M10	8.4	38	22	60	RJUM-05-40
50	47	92	103	51.5	82	18.0	M12	10.5	46	26	70	RJUM-05-50

Technical data

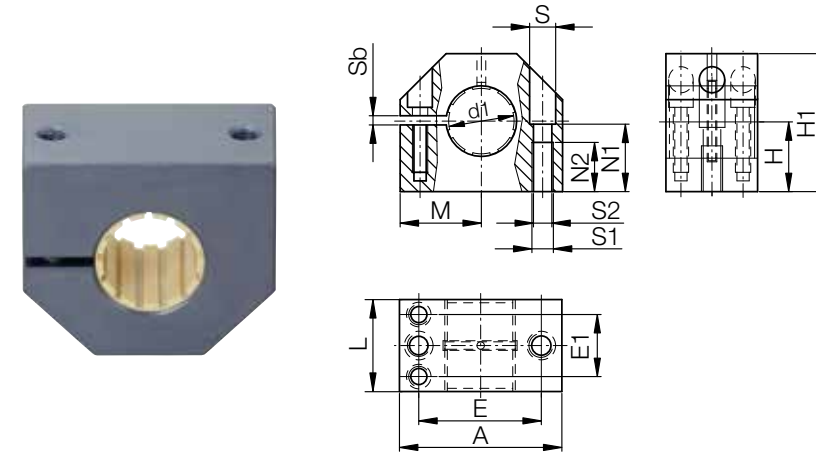
Part No.	d1 tolerance ⁷⁸⁾		Fmax. dynamic ⁸²⁾		Fmax. static ⁸²⁾		Weight
	[mm]		p = 5MPa		p = 35MPa		
	[mm]	[mm]	[N]	[N]	[N]	[N]	
RJZM-05-08 ⁸¹⁾	+0.032	+0.070	960	6,720	46		
RJUM-05-10	+0.030	+0.088	650	4,550	71		
RJUM-05-12	+0.030	+0.088	840	5,880	78		
RJUM-05-16	+0.030	+0.088	1,200	8,400	106		
RJUM-05-20	+0.030	+0.091	1,500	10,500	132		
RJUM-05-25	+0.030	+0.091	2,500	17,500	253		
RJUM-05-30	+0.040	+0.110	3,750	26,250	374		
RJUM-05-40	+0.040	+0.115	6,000	42,000	713		
RJUM-05-50	+0.050	+0.150	8,750	61,250	1,168		

Available with drylin® liners (optional: J200/A180):



drylin® R pillow blocks | Product range

Adjustable anodised aluminium housing, short design



Order key

Type	Size
R J U M E-05-12	
Closed	
iglidur® J	
Liner	
Metric	
Adjustable	
Compact	
Inner Ø d1	

● With adjustable clearance

i ⁷⁸⁾ According to igus® testing method ▶ Page 260
⁸²⁾ Design tips ▶ Page 186
 Please note: Installation instructions ▶ Page 187

Dimensions [mm]

d1	H	H1	A	M	E	E1	S	S1	S2	Sb	N1	N2	L	Part No.
+0.01 -0.014					±0.15	±0.15								
12	17	33	40	20.0	29	18.0	8.0	4.3	M5	2	16	11	28	RJUME-05-12
16	19	38	45	22.5	34	19.0	8.0	4.3	M5	2	18	11	30	RJUME-05-16
20	23	45	53	26.5	40	20.0	9.5	5.3	M6	2	22	13	30	RJUME-05-20
25	27	54	62	31.0	48	25.5	11.0	6.6	M8	2	26	18	40	RJUME-05-25
30	30	60	67	33.5	53	30.5	11.0	6.6	M8	2	29	18	50	RJUME-05-30
40	39	76	87	43.5	69	36.0	15.0	8.4	M10	2	38	22	60	RJUME-05-40
50	47	92	103	51.5	82	44.0	18.0	10.5	M12	2	46	26	70	RJUME-05-50

Technical data

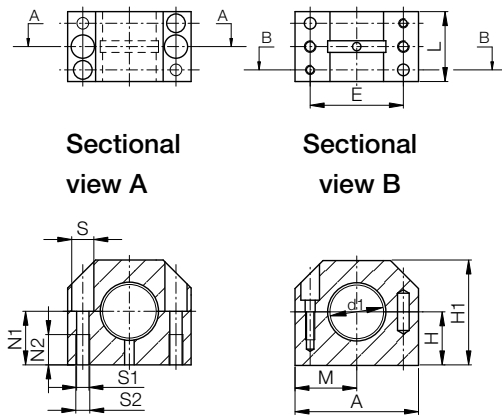
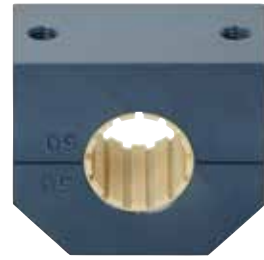
Part No.	d1 tolerance ⁷⁸⁾		Fmax. dynamic ⁸²⁾		Fmax. static ⁸²⁾		Weight
	[mm]		p = 5MPa		p = 35MPa		
	[mm]	[mm]	[N]	[N]	[N]	[N]	
RJUME-05-12	adjustable		840	5,880	78		
RJUME-05-16	adjustable		1,200	8,400	106		
RJUME-05-20	adjustable		1,500	10,500	132		
RJUME-05-25	adjustable		2,500	17,500	253		
RJUME-05-30	adjustable		3,750	26,250	374		
RJUME-05-40	adjustable		6,000	42,000	713		
RJUME-05-50	adjustable		8,750	61,250	1,168		

Available with drylin® liners (optional: J200/A180):



drylin® R pillow blocks | Product range

Split anodised aluminium housing, screwed, short design



Type	Size
T J U M-05-16	
Splittable	Inner Ø d1
iglidur® J	
Liner	
Metric	
Compact	

- Replacement of the liner without removing the shaft

i ⁷⁸⁾ According to igus® testing method ▶ Page 260
⁸²⁾ Design tips ▶ Page 186
 Please note: Installation instructions ▶ Page 187

Dimensions [mm]

d1	H	H1	A	M	E	S	S1	S2	N1	N2	L	Part No.
	±0.02				±0.15							
16	19	38	45	22.5	34	8.0	M5	4.3	18	11	30	TJUM-05-16
20	23	45	53	26.5	40	9.5	M6	5.3	22	13	30	TJUM-05-20
25	27	54	62	31.0	48	11.0	M8	6.6	26	18	40	TJUM-05-25
30	30	60	67	33.5	53	11.0	M8	6.6	29	18	50	TJUM-05-30
40	39	76	87	43.5	69	15.0	M10	8.4	38	22	60	TJUM-05-40

Technical data

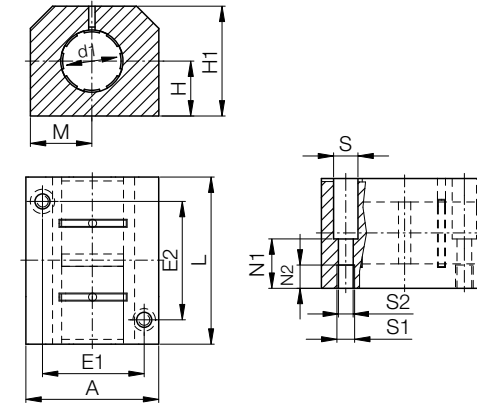
Part No.	d1 tolerance ⁷⁸⁾ [mm]	Fmax. dynamic ⁸²⁾ p = 5MPa		Fmax. static ⁸²⁾ p = 35MPa		Weight [g]
		[N]	[N]	[N]	[N]	
TJUM-05-16	+0.030 +0.120	1,200	8,400	10,500	8,400	105
TJUM-05-20	+0.030 +0.120	1,500	10,500	17,500	10,500	137
TJUM-05-25	+0.030 +0.120	2,500	17,500	26,250	17,500	253
TJUM-05-30	+0.040 +0.135	3,750	26,250	42,000	26,250	377
TJUM-05-40	+0.040 +0.135	6,000	42,000		42,000	720

Available with drylin® liners (optional: J200/A180):



drylin® R pillow blocks | Product range

Closed, anodised aluminium housing, tandem design



Type	Size
R J U M T-05-12	
Closed	Inner Ø d1
iglidur® J	
Liner	
Metric	
Tandem	
Compact	

- Tandem design
- Equipped with two liners to increase the guide length

i ⁷⁸⁾ According to igus® testing method ▶ Page 260
⁸²⁾ Design tips ▶ Page 186
 Please note: Installation instructions ▶ Page 187

Dimensions [mm]

d1	H	H1	A	M	E1	E2	S	S1	S2	N1	N2	L	Part No.
	+0.01 -0.014				±0.15	±0.15							
12	17	33	40	20	29	35	8.0	M5	4.3	16.0	11	60	RJUMT-05-12
16	19	38	45	22.5	34	40	8.0	M5	4.3	18.0	11	65	RJUMT-05-16
20	23	45	53	26.5	40	45	9.5	M6	5.3	22.0	13	65	RJUMT-05-20
25	27	54	62	31	48	55	11.0	M8	6.6	26.0	18	85	RJUMT-05-25
30	30	60	67	33.5	53	70	11.0	M8	6.6	29.0	18	105	RJUMT-05-30
40	39	76	87	43.5	69	85	15.0	M10	8.4	38.0	22	125	RJUMT-05-40
50	47	92	103	51.5	82	100	18.0	M12	10.5	46.0	26	145	RJUMT-05-50

Technical data

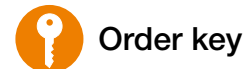
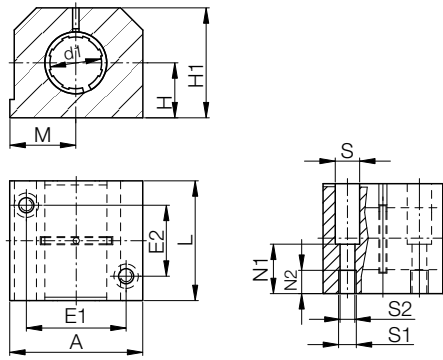
Part No.	d1 tolerance ⁷⁸⁾ [mm]	Fmax. dynamic ⁸²⁾ p = 5MPa		Fmax. static ⁸²⁾ p = 35MPa		Weight [g]
		[N]	[N]	[N]	[N]	
RJUMT-05-12	+0.030 +0.088	840	5,880	10,500	8,400	170
RJUMT-05-16	+0.030 +0.088	1,200	8,400	17,500	10,500	250
RJUMT-05-20	+0.030 +0.091	1,500	10,500	26,250	17,500	300
RJUMT-05-25	+0.030 +0.091	2,500	17,500	42,000	26,250	550
RJUMT-05-30	+0.040 +0.110	3,750	26,250	61,250	42,000	750
RJUMT-05-40	+0.040 +0.115	6,000	42,000		61,250	1,500
RJUMT-05-50	+0.050 +0.150	8,750	61,250			2,400

Available with drylin® liners (optional: J200/A180):



drylin® R pillow blocks | Product range

Closed, anodised aluminium housing, long design



Type	Size
R J U M-06-12	
Closed	
iglidur® J	
Liner	
Metric	
Long design	
Inner Ø d1	

i ⁷⁸⁾ According to igus® testing method ▶ Page 260
⁸²⁾ Design tips ▶ Page 186
 Please note: Installation instructions ▶ Page 187

Dimensions [mm]

d1	H	H1	A	M	E1	E2	S	S1	S2	N1	N2	L	Part No.
	+0.01 -0.014			±0.02	±0.15	±0.15							
12	18	35	43	21.5	32	23	8.0	M5	4.3	16.5	11	39	RJUM-06-12
16	22	42	53	26.5	40	26	10.0	M6	5.3	21.0	13	43	RJUM-06-16
20	25	50	60	30.0	45	32	11.0	M8	6.6	24.0	18	54	RJUM-06-20
25	30	60	78	39.0	60	40	15.0	M10	8.4	29.0	22	67	RJUM-06-25
30	35	70	87	43.5	68	45	15.0	M10	8.4	34.0	22	79	RJUM-06-30
40	45	90	108	54.0	86	58	18.0	M12	10.5	44.0	26	91	RJUM-06-40
50	50	105	132	66.0	108	50	20.0	M16	13.5	49.0	34	113	RJUM-06-50

Technical data

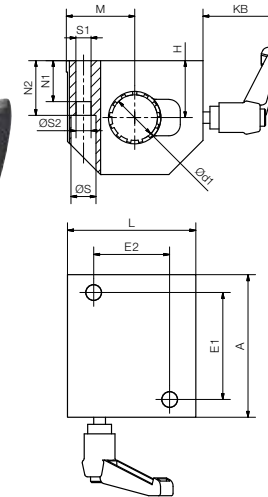
Part No.	d1 tolerance ⁷⁸⁾ [mm]	Fmax. dynamic ⁸²⁾	Fmax. static ⁸²⁾	Weight [g]
		p = 5MPa [N]	p = 35MPa [N]	
RJUM-06-12	+0.030 +0.088	960	6,720	121
RJUM-06-16	+0.030 +0.088	1,440	10,080	211
RJUM-06-20	+0.030 +0.091	2,250	15,750	323
RJUM-06-25	+0.030 +0.091	3,625	25,375	651
RJUM-06-30	+0.040 +0.110	5,100	35,700	1,050
RJUM-06-40	+0.040 +0.115	8,000	56,000	1,820
RJUM-06-50	+0.050 +0.150	12,500	87,500	3,250

Available with drylin® liners (optional: J200/A180):



drylin® R pillow blocks | Product range

Closed, anodised aluminium housing, long design with manual clamp



Type	Size	Version
R J U M-06-12 -HK		
Closed		
iglidur® J		
Liner		
Metric		
Long design		
Inner Ø d1		
Manual clamp		

i ⁷⁸⁾ According to igus® testing method ▶ Page 260
⁸²⁾ Design tips ▶ Page 186
 Please note: Installation instructions ▶ Page 187

Dimensions [mm]

d1	H	H1	A	M	E1	E2	S	S1	S2	N1	N2	W	L	KL	KB	Part No.
	+0.01; -0.014			±0.02	±0.15	±0.15								-1		
12	18	35	43	21.5	32	23	8	M5	4.3	16.5	11	10.2	39	40	33	RJUM-06-12-HK
16	22	42	53	26.5	40	26	10	M6	5.3	21	13	11.6	43	40	33	RJUM-06-16-HK
20	25	50	60	30	45	32	11	M8	6.6	24	18	12	54	40	33	RJUM-06-20-HK
25	30	60	78	39	60	40	15	M10	8.4	29	22	14.5	67	65	46	RJUM-06-25-HK
30	35	70	87	43.5	68	45	15	M10	8.4	34	22	16.6	79	65	46	RJUM-06-30-HK
40	45	90	108	54	86	58	18	M12	10.5	44	26	21	91	65	46	RJUM-06-40-HK
50	50	105	132	66	108	50	20	M16	13.5	49	34	25.5	113	65	46	RJUM-06-50-HK

Technical data

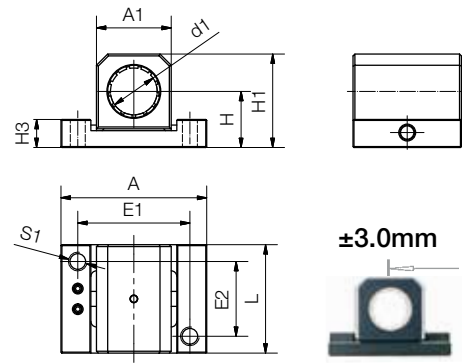
Part No.	d1 tolerance ⁷⁸⁾	Fmax. dynamic ⁸²⁾	Fmax. static ⁸²⁾	Clamp force	Weight [g]
		p = 5MPa 0° [N]	p = 35MPa 0° [N]	axial [N]	
RJUM-06-12-HK	+0.030 +0.088	960	6720	400	0.098
RJUM-06-16-HK	+0.030 +0.088	1440	10080	400	0.164
RJUM-06-20-HK	+0.030 +0.091	2250	15750	400	0.275
RJUM-06-25-HK	+0.030 +0.091	3625	25375	1,000	0.544
RJUM-06-30-HK	+0.040 +0.110	5100	35700	1,000	0.832
RJUM-06-40-HK	+0.040 +0.115	8000	56000	1,000	1.513
RJUM-06-50-HK	+0.050 +0.150	12500	87500	1,000	2.568

Available with drylin® liners (optional: J200/A180):



drylin® R pillow blocks | Product range

Closed, anodised aluminium, floating pillow blocks



Order key

Type	Size	Version
R J U M-06- 12 -LL		
Closed	iglidur® J	Liner
	Metric	Long design
	Inner Ø d1	Floating bearing

- Compensation of parallelism errors up to 6mm
- Quick assembly even on raw profiles

i ⁷⁸⁾ According to igus® testing method ▶ Page 260
⁸²⁾ Design tips ▶ Page 186
 Please note: Installation instructions ▶ Page 187
 Floating bearing ▶ Page 186

Dimensions [mm]

d1	H	H1	A	E1	E2	S1	L	A1	H3	Part No.
	±0.01			±0.15	±0.15					
12	18	28	43	32	23	M5	32	20	11	RJUM-06-12-LL
16	22	35	53	40	26	M6	36	26	11	RJUM-06-16-LL
20	25	41	60	45	32	M8	45	32	12.5	RJUM-06-20-LL
25	30	50	78	60	40	M10	58	40	15	RJUM-06-25-LL
30	35	59	87	68	45	M10	68	48	15	RJUM-06-30-LL
40	45	76	108	86	58	M12	80	62	20	RJUM-06-40-LL
50	50	89	132	108	50	M16	100	78	24	RJUM-06-50-LL

Technical data

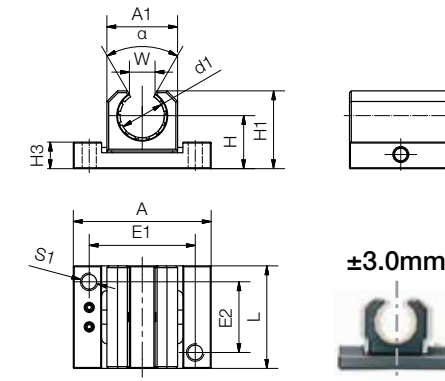
Part No.	d1 tolerance ⁷⁸⁾	Fmax. static or dynamic ⁸²⁾	Weight
	[mm]	[N]	[g]
RJUM-06-12-LL	+0.030 +0.088	560	50
RJUM-06-16-LL	+0.030 +0.088	920	80
RJUM-06-20-LL	+0.030 +0.091	2,100	130
RJUM-06-25-LL	+0.030 +0.091	3,550	280
RJUM-06-30-LL	+0.040 +0.110	5,300	430
RJUM-06-40-LL	+0.040 +0.115	8,000	850
RJUM-06-50-LL	+0.050 +0.150	12,500	1,550

Available with drylin® liners (optional: J200/A180):



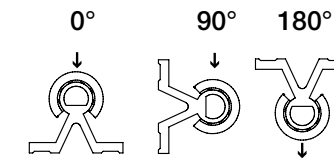
drylin® R pillow blocks | Product range

Open, anodised aluminium, floating pillow blocks



Order key

Type	Size	Version
O J U M-06- 12 -LL		
Open	iglidur® J	Liner
	Metric	Long design
	Inner Ø d1	Floating bearing



- Compensation of parallelism errors up to 6mm

i ⁷⁸⁾ According to igus® testing method ▶ Page 260
⁸²⁾ Design tips ▶ Page 186
 Please note: Installation instructions ▶ Page 187
 Floating bearing ▶ Page 186

Dimensions [mm]

d1	H	H1	A	E1	E2	S1	L	A1	H3	W	α	Part No.
	±0.01			±0.15	±0.15					-1	[°]	
12	18	24.5	43	32	23	M5	32	20	11	10.2	90	OJUM-06-12-LL
16	22	30.5	53	40	26	M6	36	26	11	11.6	90	OJUM-06-16-LL
20	25	37.0	60	45	32	M8	45	32	12.5	12.0	60	OJUM-06-20-LL
25	30	44.0	78	60	40	M10	58	40	15	14.5	60	OJUM-06-25-LL
30	35	52.5	87	68	45	M10	68	48	15	16.8	60	OJUM-06-30-LL
40	45	69.0	108	86	58	M12	80	62	20	21.0	60	OJUM-06-40-LL
50	50	80.0	132	108	50	M16	100	78	24	25.5	60	OJUM-06-50-LL

Technical data

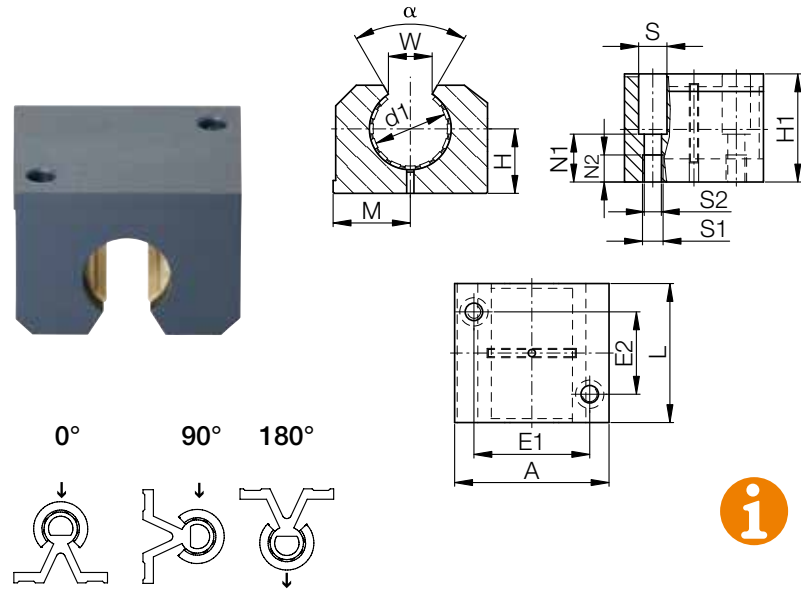
Part No.	d1 tolerance ⁷⁸⁾	Fmax. static or dynamic ⁸²⁾	Fmax. static ⁸²⁾ with load at 180°	Weight
	[mm]	[N]	[N]	[g]
OJUM-06-12-LL	+0.030 +0.088	560	240	40
OJUM-06-16-LL	+0.030 +0.088	920	400	70
OJUM-06-20-LL	+0.030 +0.091	2,100	900	115
OJUM-06-25-LL	+0.030 +0.091	3,550	1,520	240
OJUM-06-30-LL	+0.040 +0.110	5,100	2,280	370
OJUM-06-40-LL	+0.040 +0.115	8,000	3,800	750
OJUM-06-50-LL	+0.050 +0.150	12,500	6,100	1,400

Available with drylin® liners (optional: J200/A180):



drylin® R pillow blocks | Product range

Open, anodised aluminium housing, long design



Type Size

O J U M-06-12

Open	iglidur® J	Liner	Metric	Long design	Inner Ø d1
------	------------	-------	--------	-------------	------------

i ⁷⁸⁾ According to igus® testing method ▶ Page 260
⁸²⁾ Design tips ▶ Page 186
 Please note: Installation instructions ▶ Page 187

Dimensions [mm]

d1	H	H1	A	M	E1	E2	S	S1	S2	N1	N2	W	α	L	Part No.
	+0.01; -0.014			±0.02	±0.15	±0.15						-1	[°]		
12	18	28	43	21.5	32	23	8.0	M5	4.3	16.5	11	10.2	78	39	OJUM-06-12
16	22	35	53	26.5	40	26	10.0	M6	5.3	21.0	13	11.6	78	43	OJUM-06-16
20	25	42	60	30.0	45	32	11.0	M8	6.6	24.0	18	12.0	60	54	OJUM-06-20
25	30	51	78	39.0	60	40	15.0	M10	8.4	29.0	22	14.5	60	67	OJUM-06-25
30	35	60	87	43.5	68	45	15.0	M10	8.4	34.0	22	16.6	57	79	OJUM-06-30
40	45	77	108	54.0	86	58	18.0	M12	10.5	44.0	26	21.0	56	91	OJUM-06-40
50	50	88	132	66.0	108	50	20.0	M16	13.5	49.0	34	25.5	54	113	OJUM-06-50

Technical data

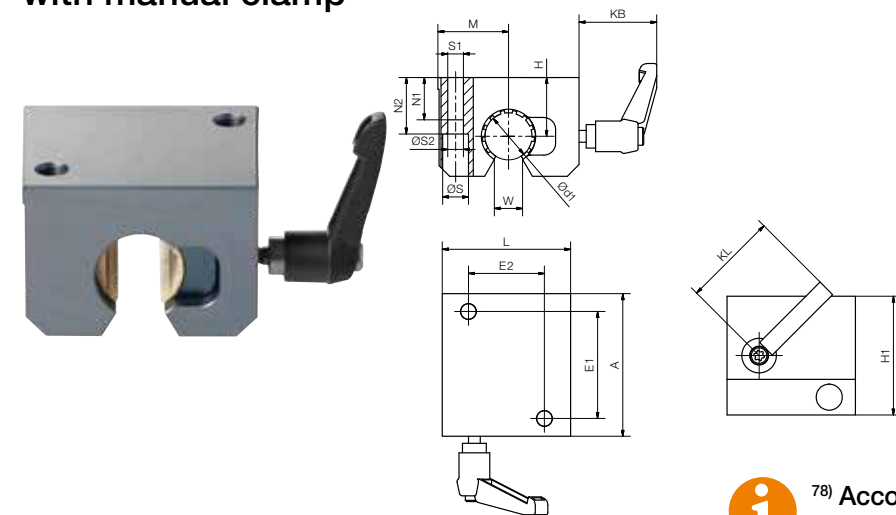
Part No.	d1 tolerance ⁷⁸⁾	Fmax. dynamic ⁸²⁾			Fmax. static ⁸²⁾			Weight
		p = 5MPa			p = 35MPa			
		0°	90°	180°	0°	90°	180°	
OJUM-06-12	+0.030 +0.088	960	635	240	6,720	4,445	1,680	95
OJUM-06-16	+0.030 +0.088	1440	990	396	10,080	6,943	2,772	158
OJUM-06-20	+0.030 +0.091	2250	1,800	900	15,750	12,600	6,300	266
OJUM-06-25	+0.030 +0.091	3625	2,953	1,523	25,375	20,670	10,658	530
OJUM-06-30	+0.040 +0.110	5100	4,250	2,278	35,700	29,735	15,946	818
OJUM-06-40	+0.040 +0.115	8000	6,810	3,800	56,000	47,660	26,600	1,485
OJUM-06-50	+0.050 +0.150	12,500	10,750	6,125	87,500	75,265	42,875	2,750

Available with drylin® liners (optional: J200/A180):



drylin® R pillow blocks | Product range

Open, anodised aluminium housing, long design with manual clamp



Type Size Version

O J U M-06-12-HK

Open	iglidur® J	Liner	Metric	Long design	Inner Ø d1	Manual clamp
------	------------	-------	--------	-------------	------------	--------------

i ⁷⁸⁾ According to igus® testing method ▶ Page 260
⁸²⁾ Design tips ▶ Page 186
 Please note: Installation instructions ▶ Page 187

Dimensions [mm]

d1	H	H1	A	M	E1	E2	S	S1	S2	N1	N2	W	L	KL	KB	Part No.
	+0.01; -0.014			±0.02	±0.15	±0.15						-1				
12	18	28	43	21.5	32	23	8	M5	4.3	16.5	11	10.2	39	40	33	OJUM-06-12-HK
16	22	35	53	26.5	40	26	10	M6	5.3	21	13	11.6	43	40	33	OJUM-06-16-HK
20	25	42	60	30.0	45	32	11	M8	6.6	24	18	12.0	54	40	33	OJUM-06-20-HK
25	30	51	78	39.0	60	40	15	M10	8.4	29	22	14.5	67	65	46	OJUM-06-25-HK
30	35	60	87	43.5	68	45	15	M10	8.4	34	22	16.6	79	65	46	OJUM-06-30-HK
40	45	77	108	54.0	86	58	18	M12	10.5	44	26	21.0	91	65	46	OJUM-06-40-HK
50	50	88	132	66.0	108	50	20	M16	13.5	49	34	25.5	113	65	46	OJUM-06-50-HK

Technical data

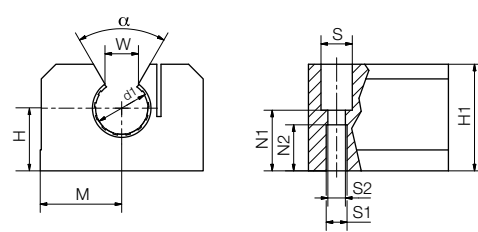
Part No.	d1 tolerance ⁷⁸⁾	Fmax. dynamic ⁸²⁾			Fmax. static ⁸²⁾			Clamp force axial	Weight
		p = 5MPa			p = 35MPa				
		0°	90°	180°	0°	90°	180°		
OJUM-06-12-HK	+0.030 +0.088	960	635	240	6720	4445	1680	400	0.098
OJUM-06-16-HK	+0.030 +0.088	1440	990	396	10080	6943	2772	400	0.164
OJUM-06-20-HK	+0.030 +0.091	2250	1800	900	15750	12600	6300	400	0.275
OJUM-06-25-HK	+0.030 +0.091	3625	2953	1523	25375	20670	10658	1,000	0.544
OJUM-06-30-HK	+0.040 +0.110	5100	4250	2278	35700	29735	15946	1,000	0.832
OJUM-06-40-HK	+0.040 +0.115	8000	6810	3800	56000	47660	26600	1,000	1.513
OJUM-06-50-HK	+0.050 +0.150	12500	10750	6125	87500	75265	42875	1,000	2.568

Available with drylin® liners (optional: J200/A180):



drylin® R pillow blocks | Product range

Open, anodised aluminium housing, long design, adjustable

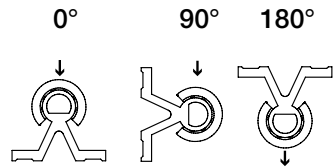
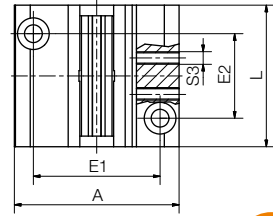


Order key

Type Size

O J U M E -06-12

Open	iglidur® J	Liner	Metric	Adjustable	Long design	Inner Ø d1
------	------------	-------	--------	------------	-------------	------------



● With two set screws (DIN 913), clearance adjustment possible



⁷⁸⁾ According to igus® testing method ▶ Page 260

⁸²⁾ Design tips ▶ Page 186

Please note: Installation instructions ▶ Page 187

Dimensions [mm]

d1	H	H1	A	M	E1	E2	S	S1	S2	S3	N1	N2	W	α	L	Part No.
	+0.01; -0.014			±0.02	±0.15	±0.15							-1	[°]		
12	18	28	43	21.5	32	23	8.0	M5	4.3	M4	16.5	11	10.2	78	39	OJUME-06-12
16	22	35	53	26.5	40	26	10.0	M6	5.3	M4	21.0	13	11.6	78	43	OJUME-06-16
20	25	42	60	30.0	45	32	11.0	M8	6.6	M5	24.0	18	12.0	60	54	OJUME-06-20
25	30	51	78	39.0	60	40	15.0	M10	8.4	M6	29.0	22	14.5	60	67	OJUME-06-25
30	35	60	87	43.5	68	45	15.0	M10	8.4	M6	34.0	22	16.6	57	79	OJUME-06-30
40	45	77	108	54.0	86	58	18.0	M12	10.5	M8	44.0	26	21.0	56	91	OJUME-06-40
50	50	88	132	66.0	108	50	20.0	M16	13.5	M8	49.0	34	25.5	54	113	OJUME-06-50

Technical data

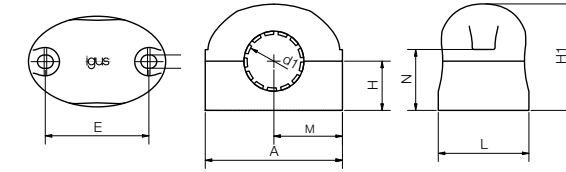
Part No.	d1 tolerance ⁷⁸⁾	Fmax. dynamic ⁸²⁾			Fmax. static ⁸²⁾			Weight [g]
		p = 5MPa			p = 35MPa			
		0°	90°	180°	0°	90°	180°	
OJUME-06-12	adjustable	960	635	240	6,720	4,445	1,680	100
OJUME-06-16	adjustable	1,440	990	396	10,080	6,943	2,772	160
OJUME-06-20	adjustable	2,250	1,800	900	15,750	12,600	6,300	270
OJUME-06-25	adjustable	3,625	2,953	1,523	25,375	20,670	10,658	530
OJUME-06-30	adjustable	5,100	4,250	2,278	35,700	29,735	15,946	820
OJUME-06-40	adjustable	8,000	6,810	3,800	56,000	47,660	26,600	1,490
OJUME-06-50	adjustable	12,500	10,750	6,125	87,500	75,265	42,875	2,750

Available with drylin® liners (optional: J200/A180):



drylin® R pillow blocks | Product range **New**

Split linear housings made of solid plastic, econ



Order key

Type Size

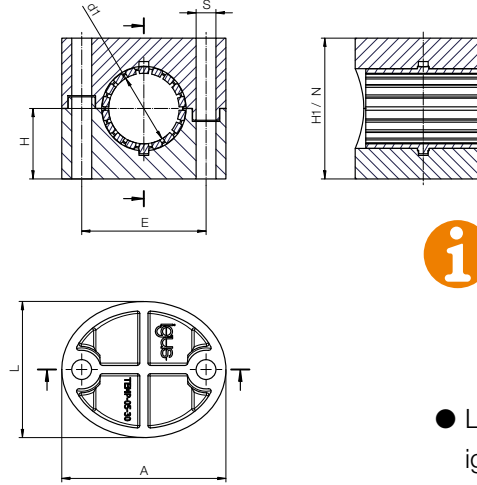
R J U M P -05-12

Closed	iglidur® J	Liner	Metric	Polymer	Compact	Inner Ø d1
--------	------------	-------	--------	---------	---------	------------

Installation size
12-20



Installation size
25/30



⁷⁸⁾ According to igus® testing method ▶ Page 260

⁸²⁾ Design tips ▶ Page 186

Please note: Installation instructions ▶ Page 187

- Linear housings made of robust lightweight igus® polymers
- Suitable for all type O2 liners (compact bearing)

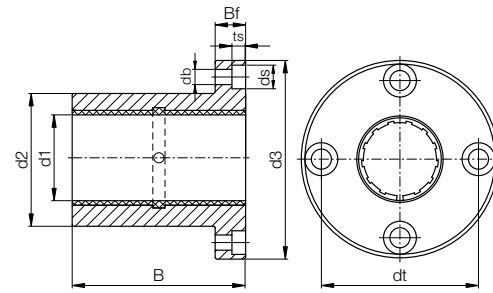
Dimensions [mm]

d1	H	H1	A	M	E	S	N	L	Screws	Part No.
			min.	max.	min.	max.				
12	15	33	40	20.0	29	4.2	18.5	32	M4	RJUMP-05-12 New
16	17	36	45	22.5	34	4.2	20.5	35	M4	RJUMP-05-16 New
20	19	41	53	26.5	40	5.2	23.5	35	M5	RJUMP-05-20 New
25	27	54	65	-	48	8.5-0.1	54.0	45	M8	RJUMP-05-25 New
30	30	60	70	-	53	8.5-0.1	60.0	58	M8	RJUMP-05-30 New

Technical data

Part No.	d1 tolerance ⁷⁸⁾	Permissible loads	Max. T. ¹⁷⁹⁾	Weight
	[mm]	[N]	[Nm]	[g]
RJUMP-05-12 New	+0.0 / +0.1	160	0.5	78
RJUMP-05-16 New	+0.0 / +0.1	240	1.0	106
RJUMP-05-20 New	+0.1 / +0.2	300	2.0	132
RJUMP-05-25 New	+0.1 / +0.2	400	10.0	90
RJUMP-05-30 New	+0.1 / +0.2	500	10.0	121

¹⁷⁹⁾ Recommended fastening screw tightening torque; screw lock recommended



i ⁷⁸⁾ According to igus® testing method ► Page 260
⁸²⁾ Design tips ► Page 186
 Please note: Installation instructions ► Page 187

Dimensions [mm]

d1	d2 h7	d3	dt	B	Bf	ts	db	ds
8.0	16	32	24	25	8	3.1	3.5	6.0
10.0	19	39	29	29	9	4.1	4.5	7.5
10.4	19	39	29	29	9	4.1	4.5	7.5
12.0	22	42	32	32	9	4.1	4.5	7.5
12.4	22	42	32	32	9	4.1	4.5	7.5
16.0	26	46	36	36	9	4.1	4.5	7.5
16.4	26	46	36	36	9	4.1	4.5	7.5
20.0	32	54	43	45	11	5.1	5.5	9.0
20.5	32	54	43	45	11	5.1	5.5	9.0
25.0	40	62	51	58	11	5.1	5.5	9.0
25.5	40	62	51	58	11	5.1	5.5	9.0
30.0	47	76	62	68	14	6.1	6.6	11.0
30.6	47	76	62	68	14	6.1	6.6	11.0
40.0	62	98	80	80	18	8.1	9.0	14.0
50.0	75	112	94	100	18	8.1	9.0	14.0

Available with drylin® liners (optional: J200/A180):



Order key

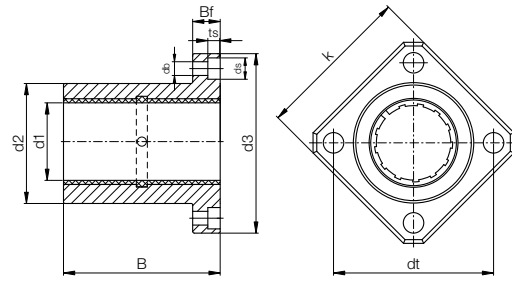
Type: **F J U M-01-10-LL** Size: **LL**

With flange
 iglidur® J
 Liner
 Metric
 Round design
 Inner Ø d1

Option:
 LL: Floating bearing

Technical data

d1 tolerance ⁷⁸⁾ [mm]	Fmax. dynamic ⁸²⁾ p = 5MPa [N]	Fmax. static ⁸²⁾ p = 35MPa [N]	Weight [g]	Part No.
+0.032 +0.070	960	6,720	20	FJZM-01-08
+0.030 +0.088	725	5,075	32	FJUM-01-10
+0.030 +0.088	725	5,075	32	FJUM-01-10-LL
+0.030 +0.088	960	6,720	42	FJUM-01-12
+0.030 +0.088	960	6,720	42	FJUM-01-12-LL
+0.030 +0.088	1,440	10,080	51	FJUM-01-16
+0.030 +0.088	1,440	10,080	51	FJUM-01-16-LL
+0.030 +0.091	2,250	15,750	88	FJUM-01-20
+0.030 +0.091	2,250	15,750	88	FJUM-01-20-LL
+0.030 +0.091	3,625	25,375	152	FJUM-01-25
+0.030 +0.091	3,625	25,375	152	FJUM-01-25-LL
+0.040 +0.110	5,100	35,700	266	FJUM-01-30
+0.040 +0.110	5,100	35,700	266	FJUM-01-30-LL
+0.040 +0.115	8,000	56,000	552	FJUM-01-40
+0.050 +0.150	12,500	87,500	853	FJUM-01-50



i ⁷⁸⁾ According to igus® testing method ► Page 260
⁸²⁾ Design tips ► Page 186
 Please note: Installation instructions ► Page 187

Dimensions [mm]

d1	d2 h7	d3	dt ±0.15	k ±0.15	B	Bf	ts	db	ds
8.0	16	32	24	25	25	8	3.1	3.5	6.0
10.0	19	39	29	30	29	9	4.1	4.5	7.5
10.4	19	39	29	30	29	9	4.1	4.5	7.5
12.0	22	42	32	32	32	9	4.1	4.5	7.5
12.4	22	42	32	32	32	9	4.1	4.5	7.5
16.0	26	46	36	35	36	9	4.1	4.5	7.5
16.4	26	46	36	35	36	9	4.1	4.5	7.5
20.0	32	54	43	42	45	11	5.1	5.5	9.0
20.5	32	54	43	42	45	11	5.1	5.5	9.0
25.0	40	62	51	50	58	11	5.1	5.5	9.0
25.5	40	62	51	50	58	11	5.1	5.5	9.0
30.0	47	76	62	60	68	14	6.1	6.6	11.0
30.6	47	76	62	60	68	14	6.1	6.6	11.0
40.0	62	98	80	75	80	18	8.1	9.0	14.0
50.0	75	112	94	88	100	18	8.1	9.0	14.0

Available with drylin® liners (optional: J200/A180):



Order key

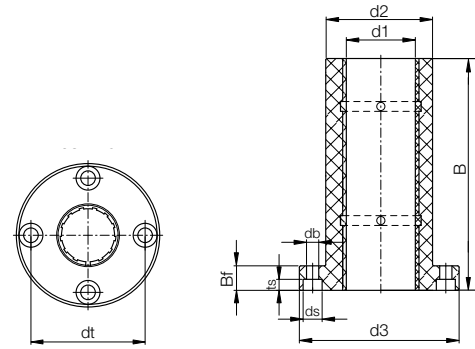
Type: **F J U M-02-10-LL** Size: **LL**

With flange
 iglidur® J
 Liner
 Metric
 Square design
 Inner Ø d1

Option:
 LL: Floating bearing

Technical data

d1 tolerance ⁷⁸⁾ [mm]	Fmax. static or dynamic ⁸²⁾ [N]	Fmax. static ⁸²⁾ with load at 180° [N]	Weight [g]	Part No.
+0.032 +0.070	960	6,720	17	FJZM-02-08 ⁸²⁾
+0.030 +0.088	725	5,075	25	FJUM-02-10
+0.030 +0.088	725	5,075	25	FJUM-02-10-LL
+0.030 +0.088	960	6,720	32	FJUM-02-12
+0.030 +0.088	960	6,720	32	FJUM-02-12-LL
+0.030 +0.088	1,440	10,080	41	FJUM-02-16
+0.030 +0.088	1,440	10,080	41	FJUM-02-16-LL
+0.030 +0.091	2,250	15,750	73	FJUM-02-20
+0.030 +0.091	2,250	15,750	73	FJUM-02-20-LL
+0.030 +0.091	3,625	25,375	135	FJUM-02-25
+0.030 +0.091	3,625	25,375	135	FJUM-02-25-LL
+0.040 +0.110	5,100	35,700	228	FJUM-02-30
+0.040 +0.110	5,100	35,700	228	FJUM-02-30-LL
+0.040 +0.115	8,000	56,000	454	FJUM-02-40
+0.050 +0.150	12,500	87,500	735	FJUM-02-50



● Equipped with two liners to increase the guide length

i ⁷⁸⁾ According to igus® testing method ► Page 260
⁸⁵⁾ Fitted with two pieces of JSM-0810-16
Please note: Installation instructions ► Page 187

Dimensions [mm]

d1	d2 h7	d3	dt	B	Bf	ts	db	ds
8.0	16	32	24	45	8	3.1	3.5	6.0
10.0	19	39	29	52	9	4.1	4.5	7.5
10.4	19	39	29	52	9	4.1	4.5	7.5
12.0	22	42	32	57	9	4.1	4.5	7.5
12.4	22	42	32	57	9	4.1	4.5	7.5
16.0	26	46	36	70	9	4.1	4.5	7.5
16.4	26	46	36	70	9	4.1	4.5	7.5
20.0	32	54	43	80	11	5.1	5.5	9.0
20.5	32	54	43	80	11	5.1	5.5	9.0
25.0	40	62	51	112	11	5.1	5.5	9.0
25.5	40	62	51	112	11	5.1	5.5	9.0
30.0	47	76	62	123	14	6.1	6.6	11.0
30.6	47	76	62	123	14	6.1	6.6	11.0
40.0	62	98	80	151	18	8.1	9.0	14.0
50.0	75	112	94	192	18	8.1	9.0	14.0

Available with drylin® liners (optional: J200/A180):



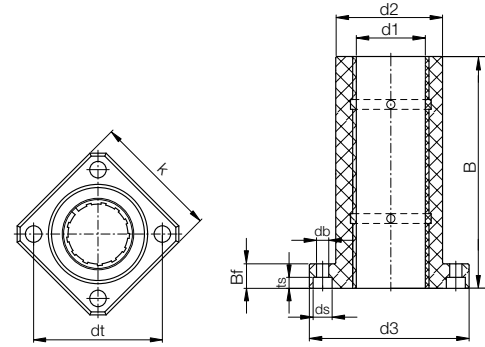
Order key

Type	Size
F J U M T -01-10-LL	
With flange	
iglidur® J	
Liner	
Metric	
Tandem	
Round design	
Inner Ø d1	

Option:
LL: Floating bearing

Technical data

Dimension nominal diameter [mm]	d1 tolerance ⁷⁸⁾ [mm]	Guide length [mm]	Projected bearing surface [mm²]	Weight [g]	Part No.
8	+0.032 +0.070	45	256	27.13	FJZMT-01-08 ⁸⁵⁾
10	+0.030 +0.088	52	250	43.75	FJUMT-01-10
10	+0.030 +0.088	52	250	43.75	FJUMT-01-10-LL
12	+0.030 +0.088	57	324	57.00	FJUMT-01-12
12	+0.030 +0.088	57	324	57.00	FJUMT-01-12-LL
16	+0.030 +0.088	70	464	78.28	FJUMT-01-16
16	+0.030 +0.088	70	464	78.28	FJUMT-01-16-LL
20	+0.030 +0.091	80	580	126.42	FJUMT-01-20
20	+0.030 +0.091	80	580	126.42	FJUMT-01-20-LL
25	+0.030 +0.091	112	975	248.85	FJUMT-01-25
25	+0.030 +0.091	112	975	248.85	FJUMT-01-25-LL
30	+0.040 +0.110	123	1,470	388.37	FJUMT-01-30
30	+0.040 +0.110	123	1,470	388.37	FJUMT-01-30-LL
40	+0.040 +0.115	151	2,360	835.00	FJUMT-01-40
50	+0.050 +0.150	192	3,450	1,352.30	FJUMT-01-50



● Equipped with two liners to increase the guide length

i ⁷⁸⁾ According to igus® testing method ▶ Page 260
⁸⁵⁾ Fitted with two pieces of JSM-0810-16
Please note: Installation instructions ▶ Page 187

Dimensions [mm]

d1	d2 h7	d3	dt	k	B	Bf	ts	db	ds
8.0	16	32	24	25	45	8	3.1	3.5	6.0
10.0	19	39	29	30	52	9	4.1	4.5	7.5
10.4	19	39	29	30	52	9	4.1	4.5	7.5
12.0	22	42	32	32	57	9	4.1	4.5	7.5
12.4	22	42	32	32	57	9	4.1	4.5	7.5
16.0	26	46	36	35	70	9	4.1	4.5	7.5
16.4	26	46	36	35	70	9	4.1	4.5	7.5
20.0	32	54	43	42	80	11	5.1	5.5	9.0
20.5	32	54	43	42	80	11	5.1	5.5	9.0
25.0	40	62	51	50	112	11	5.1	5.5	9.0
25.5	40	62	51	50	112	11	5.1	5.5	9.0
30.0	47	76	62	60	123	14	6.1	6.6	11.0
30.6	47	76	62	60	123	14	6.1	6.6	11.0
40.0	62	98	80	75	151	18	8.1	9.0	14.0
50.0	75	112	94	88	192	18	8.1	9.0	14.0

Available with drylin® liners (optional: J200/A180):



Order key

Type: **F J U M T -02-10-LL** Size: **LL**

With flange: **iglidur® J**
Liner: **Tandem**
Metric: **Square design**
Inner Ø d1: **LL**

Option:
LL: Floating bearing

Technical data

Dimension nominal diameter [mm]	d1 tolerance ⁷⁸⁾ [mm]	Guide length [mm]	Projected bearing surface [mm²]	Weight [g]	Part No.
8	+0.032 +0.070	45	256	23.00	FJZMT-02-08 ⁸⁵⁾
10	+0.030 +0.088	52	250	36.58	FJUMT-02-10
10	+0.030 +0.088	52	250	36.58	FJUMT-02-10-LL
12	+0.030 +0.088	57	324	48.19	FJUMT-02-12
12	+0.030 +0.088	57	324	48.19	FJUMT-02-12-LL
16	+0.030 +0.088	70	464	67.79	FJUMT-02-16
16	+0.030 +0.088	70	464	67.79	FJUMT-02-16-LL
20	+0.030 +0.091	80	580	110.06	FJUMT-02-20
20	+0.030 +0.091	80	580	110.06	FJUMT-02-20-LL
25	+0.030 +0.091	112	975	230.06	FJUMT-02-25
25	+0.030 +0.091	112	975	230.06	FJUMT-02-25-LL
30	+0.040 +0.110	123	1,470	350.74	FJUMT-02-30
30	+0.040 +0.110	123	1,470	350.74	FJUMT-02-30-LL
40	+0.040 +0.115	151	2,360	739.30	FJUMT-02-40
50	+0.050 +0.150	192	3,450	1,249.30	FJUMT-02-50

drylin® R flanged linear plain bearings | Product range **New**

Adapter with clip-in liners made from iglidur® W360 (precision), round flange



Order key

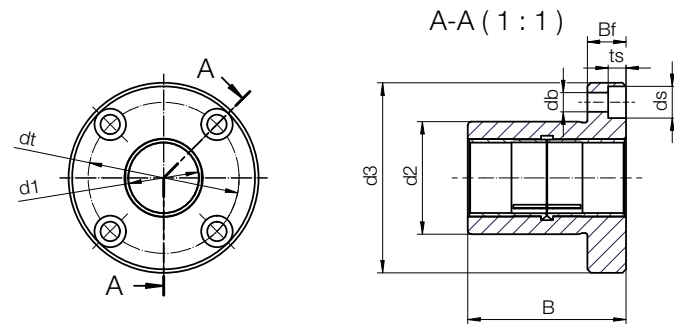
Type F R W360 C M T -01-12 Size

F R W360 C M T -01-12

With flange	drylin® R	igidur® W360	Clip-in liner	Metric	Tandem	Square design	Inner Ø d1
-------------	-----------	--------------	---------------	--------	--------	---------------	------------

Option:
T: Tandem

- Up to 50% lower clearance in operation



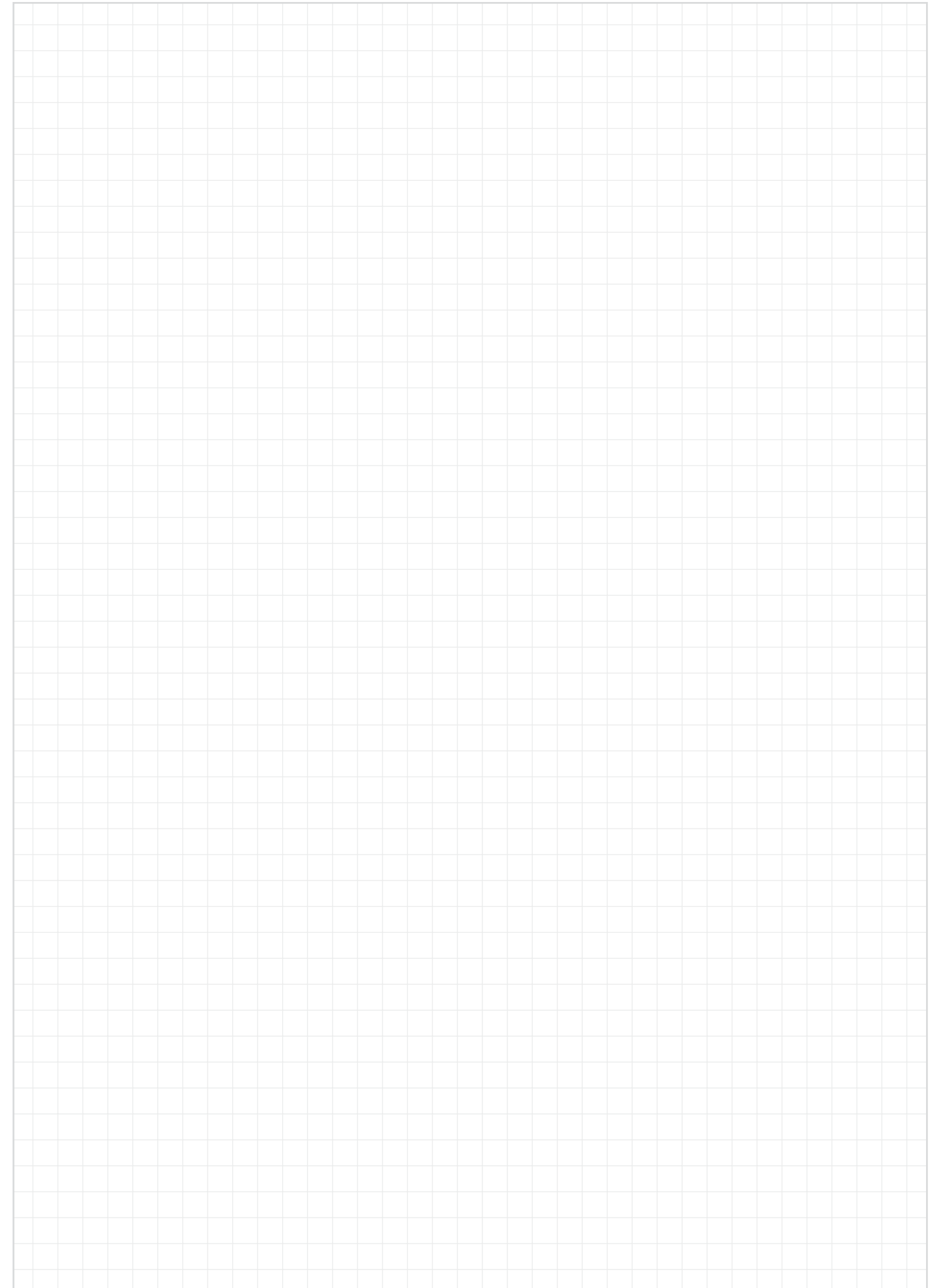
Dimensions [mm] - flanged linear plain bearing

d1	d2	d3	dt	B	Bf	ts	db	ds	Part No.
+0.01 +0.05	H7								
12	22	42	32	32	9	4.1	4.5	7.5	FRW360CM-01-12 New
16	26	46	36	36	9	4.1	4.5	7.5	FRW360CM-01-12 New
20	32	54	43	45	11	5.1	5.5	9.0	FRW360CM-01-12 New

Dimensions [mm] - flanged linear plain bearing, tandem design

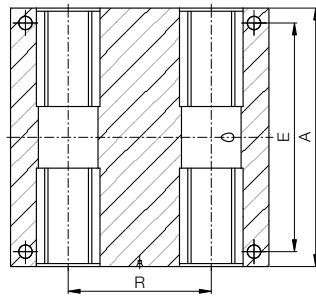
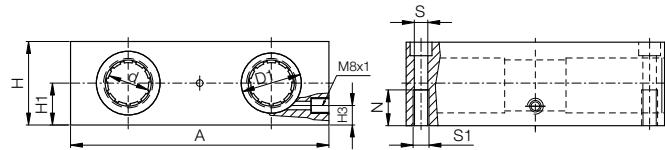
d1	d2	d3	dt	B	Bf	ts	db	ds	Part No.
+0.04 +0.01	H7								
12	22	42	32	57	9	4.1	4.5	7.5	FRW360CMT-01-12 New
16	26	46	36	70	9	4.1	4.5	7.5	FRW360CMT-01-12 New
20	32	54	43	80	11	5.1	5.5	9.0	FRW360CMT-01-12 New

Notes





● Housing: Aluminium, equipped with four drylin® R linear plain bearings



Dimensions [mm]

d	D1	A	H	H1	H3	R	N	E	S	S1	Part No. Standard with RJUM-01	Self-aligning with RJUM-03	Solid plastic bearings with RJM-01
8	16	65	23	11.5	8	32	11	55	4.3	M5	RQA-01-08	-	RQA-04-08
10	19	70	25	12.5	10	34	13	60	4.3	M5	RQA-01-10	RQA-03-10	RQA-04-10
12	22	85	32	16	13	42	13	73	5.3	M6	RQA-01-12	RQA-03-12	RQA-04-12
16	26	100	36	18	15	54	13	88	5.3	M6	RQA-01-16	RQA-03-16	RQA-04-16
20	32	130	46	23	19	72	18	115	6.6	M8	RQA-01-20	RQA-03-20	RQA-04-20
25	40	160	56	28	24	88	22	140	8.4	M10	RQA-01-25	RQA-03-25	RQA-04-25
30	47	180	64	32	27	96	26	158	10.5	M12	RQA-01-30	RQA-03-30	RQA-04-30
40	62	230	80	40	35	122	34	202	13.5	M16	RQA-01-40	RQA-03-40	RQA-04-40

Are equipped with:



Available with drylin® liners (optional: J200/A180):



Order key

Type	Option	Size
------	--------	------

RQ A- 01 -10

Quad block with RJUM bearings	Aluminium housing	Standard with RJUM-01	Inner Ø d1
-------------------------------	-------------------	-----------------------	------------

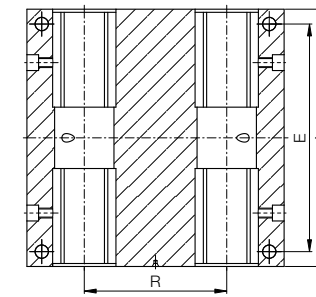
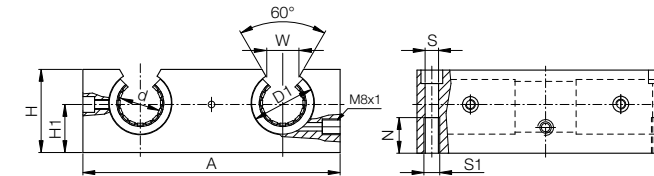
Options:

- 01: Standard with RJUM-01
- 03: with RJUM-03
- 04: with RJM-01

i Please note:
Installation instructions
▶ Page 187



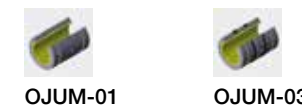
● Housing: Aluminium, equipped with four drylin® R linear plain bearings



Dimensions [mm]

d	D1	A	H	H1	W	R	N	E	S	S1	Part No. Standard with OJUM-01	Self-aligning with OJUM-03
12	22	85	30	18	14	42	13	73	5.3	M6	OQA-01-12	OQA-03-12
16	26	100	35	22	17	54	13	88	5.3	M6	OQA-01-16	OQA-03-16
20	32	130	42	25	17	72	18	115	6.8	M8	OQA-01-20	OQA-03-20
25	40	160	51	30	21	88	22	140	9.0	M10	OQA-01-25	OQA-03-25
30	47	180	60	35	21	96	26	158	10.5	M12	OQA-01-30	OQA-03-30
40	62	230	77	45	27	122	34	202	13.5	M16	OQA-01-40	OQA-03-40

Are equipped with:



Available with drylin® liners (optional: J200/A180):



Order key

Type	Option	Size
------	--------	------

OQ A- 01 -12

Quad block with OJUM bearings	Aluminium housing	Standard with OJUM-01	Inner Ø d1
-------------------------------	-------------------	-----------------------	------------

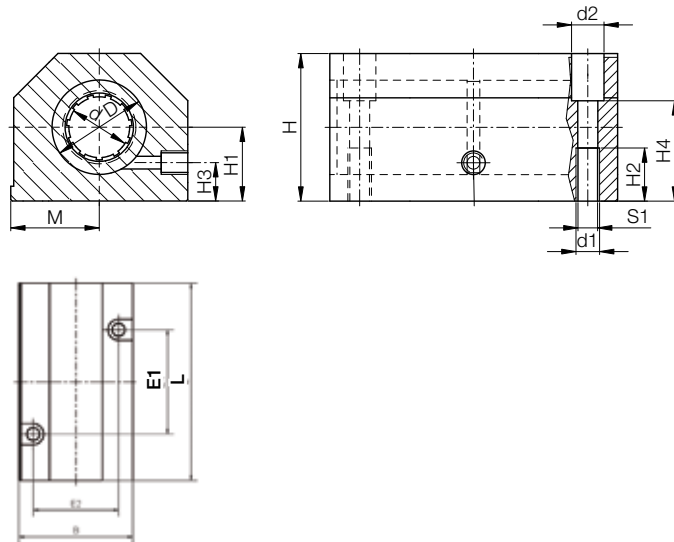
Options:

- 01: Standard with OJUM-01
- 03: with OJUM-03

i Please note:
Installation instructions
▶ Page 187



● Housing: Aluminium, equipped with two drylin® R linear plain bearings to increase the guide length



Dimensions [mm]

d	D	H	H1	H2	H3	H4	S1	B	L	M	E1	E2	d1	d2	Part No.	Self-aligning	Solid plastic bearings
	H6		+0.01						+0.3	±0.02	±0.15	±0.15			Standard with RJUM-01	with RJUM-03	with RJM-01
			-0.02														
8	16	28	13	13	8	23	M5	35	62	17.5	35	25	4.20	8	RTA-01-08	-	RTA-04-08
12	22	35	18	13	10	25	M6	43	76	21.5	40	30	5.20	10	RTA-01-12	RTA-03-12	RTA-04-12
16	26	42	22	13	12	30	M6	53	84	26.5	45	36	5.20	10	RTA-01-16	RTA-03-16	RTA-04-16
20	32	50	25	18	13	34	M8	60	104	30.0	55	45	6.80	11	RTA-01-20	RTA-03-20	RTA-04-20
25	40	60	30	22	15	40	M10	78	130	39.0	70	54	8.60	15	RTA-01-25	RTA-03-25	RTA-04-25
30	47	70	35	26	16	48	M12	87	152	43.5	85	62	10.30	18	RTA-01-30	RTA-03-30	RTA-04-30
40	62	90	45	34	20	60	M16	108	176	54.0	100	80	14.25	20	RTA-01-40	RTA-03-40	RTA-04-40

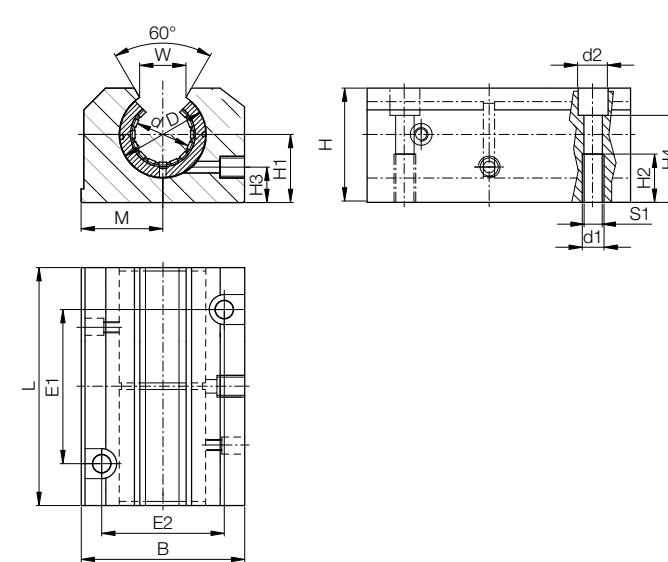
Are equipped with:



Available with drylin® liners (optional: J200/A180):



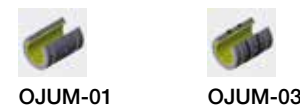
● Housing: Aluminium, equipped with two drylin® R linear plain bearings to increase the guide length



Dimensions [mm]

d	D	H	H1	H2	H3	H4	S1	B	L	M	E1	E2	d1	d2	W	Part No.	Self-aligning
	H6		+0.01						+0.3	±0.02	±0.15	±0.15				Standard with OJUM-01	with OJUM-03
			-0.02														
12	22	30	18	13	10	25	M6	43	76	21.5	40	30	5.20	10	14	OTA-01-12	OTA-03-12
16	26	35	22	13	12	30	M6	53	84	26.5	45	36	5.20	10	17	OTA-01-16	OTA-03-16
20	32	42	25	18	13	34	M8	60	104	30.0	55	45	6.80	11	17	OTA-01-20	OTA-03-20
25	40	51	30	22	15	40	M10	78	130	39.0	70	54	8.60	15	21	OTA-01-25	OTA-03-25
30	47	60	35	26	16	48	M12	87	152	43.5	85	62	10.30	18	21	OTA-01-30	OTA-03-30
40	62	77	45	34	20	60	M16	108	176	54.0	100	80	14.25	20	27	OTA-01-40	OTA-03-40

Are equipped with:



Available with drylin® liners (optional: J200/A180):



Order key

Type	Option	Size
RT A-	01	-08
Tandem housing with RJUM bearing	Aluminium housing	Standard with RJUM-01
		Inner Ø

Options:

- 01: Standard with RJUM-01
- 03: with RJUM-03
- 04: with RJM-01

i Please note:
Installation instructions
► Page 187

Order key

Type	Option	Size
OT A-	01	-12
Tandem housing with OJUM bearings	Aluminium housing	Standard with OJUM-01
		Inner Ø

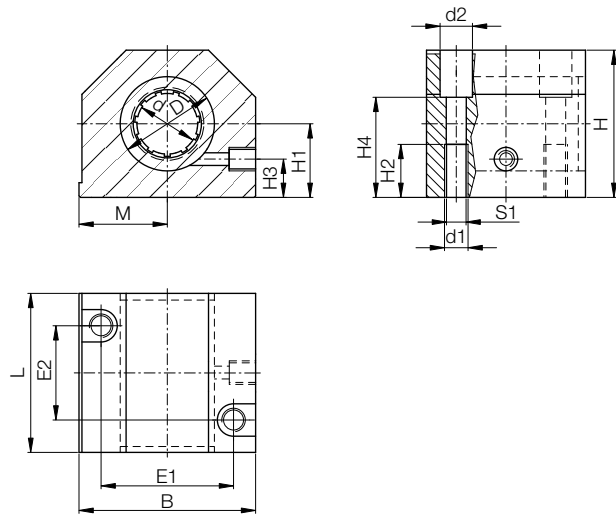
Options:

- 01: Standard with OJUM-01
- 03: with OJUM-03

i Please note:
Installation instructions
► Page 187



● Housing: Aluminium, equipped with drylin® R linear plain bearings



Dimensions [mm]

d	D	H	H1	H2	H3	H4	S1	B	L	M	E1	E2	d1	d2	Part No.	Self-aligning	Solid plastic bearings
	H6		+0.01						±0.3	±0.02	±0.15	±0.15			Standard with RJUM-01	with RJUM-03	with RJM-01
			-0.02														
8	16	28	13	10	8	14	M4	35	32	17.5	25	20	3.2	6	RGA-01-08	-	RGA-04-08
12	22	35	18	11	10	25	M5	43	39	21.5	32	23	4.2	6	RGA-01-12	RGA-03-12	RGA-04-12
16	26	42	22	13	12	30	M6	53	43	26.5	40	26	5.2	10	RGA-01-16	RGA-03-16	RGA-04-16
20	32	50	25	18	13	34	M8	60	54	30.0	45	32	6.8	11	RGA-01-20	RGA-03-20	RGA-04-20
25	40	60	30	22	15	40	M10	78	67	39.0	60	40	8.6	15	RGA-01-25	RGA-03-25	RGA-04-25
30	47	70	35	22	16	48	M10	87	79	43.5	68	45	8.6	15	RGA-01-30	RGA-03-30	RGA-04-30
40	62	90	45	26	20	60	M12	108	91	54.0	86	58	10.3	18	RGA-01-40	RGA-03-40	RGA-04-40

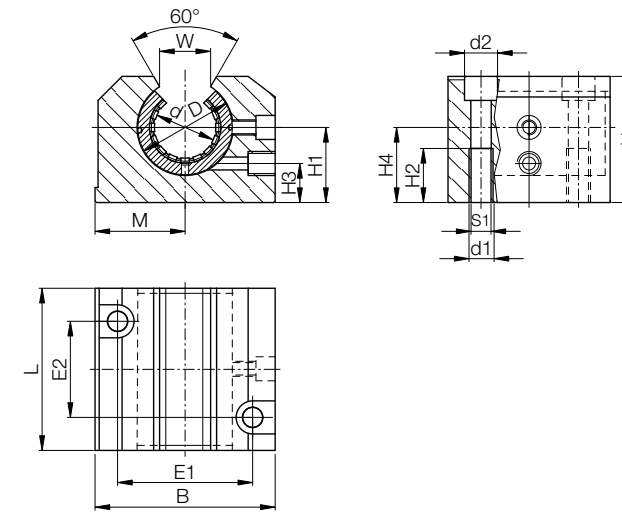
Are equipped with:



Available with drylin® liners (optional: J200/A180):



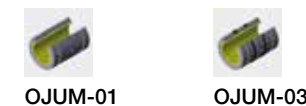
● Housing: Aluminium, equipped with drylin® R linear plain bearings



Dimensions [mm]

d	D	H	H1	H2	H3	H4	S1	B	L	M	E1	E2	d1	d2	W	Part No.	Self-aligning
	H6		+0.01						±0.3	±0.02	±0.15	±0.15			+0.6	Standard with OJUM-01	with OJUM-03
			-0.02														
12	22	28	18	11	8	25	M5	43	39	21.5	32	23	4.2	8	14	OGA-01-12	OGA-03-12
16	26	35	22	13	12	30	M6	53	43	26.5	40	26	5.2	10	17	OGA-01-16	OGA-03-16
20	32	42	25	18	13	34	M8	60	54	30.0	45	32	6.8	11	17	OGA-01-20	OGA-03-20
25	40	51	30	22	15	40	M10	78	67	39.0	60	40	8.6	15	21	OGA-01-25	OGA-03-25
30	47	60	35	22	16	48	M10	87	79	43.5	68	45	8.6	15	21	OGA-01-30	OGA-03-30
40	62	77	45	26	20	60	M12	108	91	54.0	86	58	10.3	18	27	OGA-01-40	OGA-03-40

Are equipped with:



Available with drylin® liners (optional: J200/A180):



Order key

Type	Option	Size
Linear housing with RJUM bearings	Aluminium housing	Standard with RJUM-01
		Inner Ø

Options:

- 01: Standard with RJUM-01
- 03: with RJUM-03
- 04: with RJM-01

i Please note:
Installation instructions
► Page 187

Order key

Type	Option	Size
Linear housing with OJUM bearings	Aluminium housing	Standard with OJUM-01
		Inner Ø

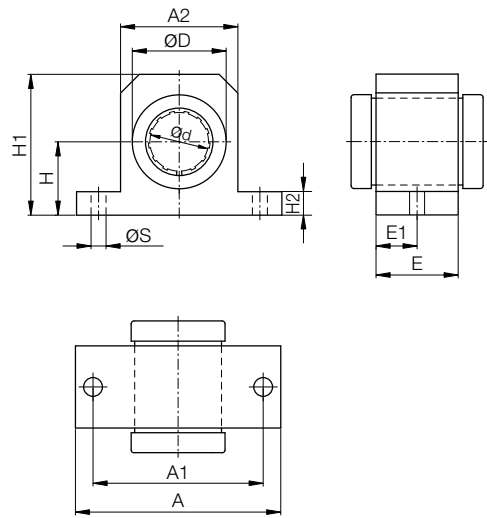
Options:

- 01: Standard with OJUM-01
- 03: with OJUM-03

i Please note:
Installation instructions
► Page 187



- Housing: Aluminium, equipped with drylin® R linear plain bearings
- Variations:
 - Standard: RGAS-01-Ø
 - Self-aligning: RGAS-03-Ø
 - Solid plastic bearing (cost-effective, lightweight): RGAS-04-Ø



Dimensions [mm]

d	D	H	H1	H2	A	A1	A2	E	E1	S	Part No. Standard with RJUM-01	Self-aligning with RJUM-03	Solid plastic bearings with RJM-01
12	22	18	35.0	6	52	42	30	20	10	5.3	RGAS-01-12	RGAS-03-12	RGAS-04-12
16	26	22	40.5	7	56	46	34	22	11	5.3	RGAS-01-16	RGAS-03-16	RGAS-04-16
20	32	25	48.0	8	70	58	40	28	14	6.4	RGAS-01-20	RGAS-03-20	RGAS-04-20
25	40	30	58.0	10	80	68	50	40	20	6.4	RGAS-01-25	RGAS-03-25	RGAS-04-25
30	47	35	67.0	10	88	76	58	48	24	6.4	RGAS-01-30	RGAS-03-30	RGAS-04-30
40	62	45	85.0	12	108	94	74	56	28	8.4	RGAS-01-40	RGAS-03-40	RGAS-04-40

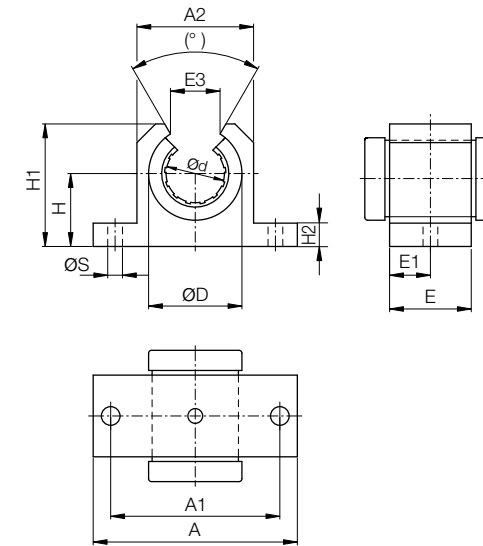
Are equipped with:



Available with drylin® liners (optional: J200/A180):



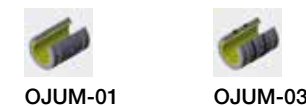
- Housing: Aluminium, equipped with drylin® R linear plain bearings
- Variations:
 - Standard: OGAS-01-Ø
 - Self-aligning: OGAS-03-Ø



Dimensions [mm]

d	D	H	H1	H2	A	A1	A2	E	E1	E3	(°)	S	Part No. Standard with OJUM-01	Self-aligning with OJUM-03
12	22	18	28	6	52	42	30	20	10	14	78	5.3	OGAS-01-12	OGAS-03-12
16	26	22	33.5	7	56	46	34	22	11	17	78	5.3	OGAS-01-16	OGAS-03-16
20	32	25	42	8	70	58	40	28	14	17	60	6.4	OGAS-01-20	OGAS-03-20
25	40	30	51	10	80	68	50	40	20	21	60	6.4	OGAS-01-25	OGAS-03-25
30	47	35	60	10	88	76	58	48	24	21	54	6.4	OGAS-01-30	OGAS-03-30
40	62	45	77	12	108	94	74	56	28	27	54	8.4	OGAS-01-40	OGAS-03-40

Are equipped with:



Available with drylin® liners (optional: J200/A180):



Order key

Type	Option	Size
Linear housing with RJUM bearings	Aluminium housing	Small
Standard with RJUM-01		Inner Ø

- Options:
- 01: Standard with RJUM-01
 - 03: with RJUM-03
 - 04: with RJM-01

i Please note:
Installation instructions
► Page 187

Order key

Type	Option	Size
Linear housing with OJUM bearings	Aluminium housing	Small
Standard with OJUM-01		Inner Ø

- Options:
- 01: Standard with OJUM-01
 - 03: with OJUM-03

i Please note:
Installation instructions
► Page 187

igus® testing method for measuring the tolerance of drylin® linear plain bearings

To ensure the correct function of a drylin® R linear plain bearing, it is necessary to use the bearing with a defined minimum oversize (bearing clearance). The quality control of this part is carried out with a plug gauge test. For this purpose, specific force is defined with which the plug gauge is loaded when the plain bearing is tested.

Part No.	Test force	Øi test housing	Min. bearing Øi (plug gauge falls)	Max. bearing Øi (plug gauge sticks)
	[N]	[mm]	[mm]	[mm]
J / J200 / E7 / A180 / A160UM-01/02-10	0.981	12.000	10.030	10.070
J / J200 / E7 / A180 / A160UM-01/02-12	1.373	14.000	12.030	12.070
J / J200 / E7 / A180 / A160UM-01/02-16	1.864	18.000	16.030	16.070
J / J200 / E7 / A180 / A160UM-01/02-20	2.649	23.000	20.030	20.070
J / J200 / E7 / A180 / A160UM-01/02-25	3.729	28.000	25.030	25.070
J / J200 / E7 / A180 / A160UM-01/02-30	4.807	34.000	30.040	30.090
J / J200 / E7 / A180 / A160UM-01/02-40	7.063	44.000	40.040	40.090
J / J200 / E7 / A180 / A160UM-01/02-50	9.810	55.000	50.050	50.150
J / J200 / E7UM-01/02-60	13.047	65.000	60.050	60.150
	[N]	[Imperial dimension]	[Imperial dimension]	[Imperial dimension]
JUI-01-06	0.981	0.4684	0.3768	0.3776
JUI-01-08	1.373	0.5934	0.5016	0.5024
JUI-01-10	1.864	0.7184	0.6268	0.6276
JUI-01-12	2.649	0.8747	0.7516	0.7524
JUI-01-16	3.729	1.1247	1.0016	1.0024
JUI-01-20	4.807	1.4058	1.2520	1.2531
JUI-01-24	7.063	1.6558	1.5020	1.5031
JUI-01-32	9.810	2.1870	2.0024	2.0039
	[N]	[mm]	[mm]	[mm]
RJM / RJMP / RJ4JP-01-08	–	16.000	8.025	8.061
RJM / RJMP / RJ4JP-01-10	–	19.000	10.025	10.061
RJM / RJMP / RJ4JP-01-12	–	22.000	12.032	12.075
RJM / RJMP / RJ4JP-01-16	–	26.000	16.032	16.075
RJM / RJMP / RJ4JP-01-20	–	32.000	20.040	20.092
RJM / RJMP / RJ4JP-01-25	–	40.000	25.040	25.092
RJM / RJMP / RJ4JP-01-30	–	47.000	30.040	30.092
RJM / RJMP-01-40	–	62.000	40.050	40.112
	[N]	[Imperial dimension]	[Imperial dimension]	[Imperial dimension]
RJI-01-06	0.981	0.6250	0.3762	0.3776
RJI-01-08	1.373	0.8750	0.5013	0.5030
RJI-01-10	1.864	1.1250	0.6265	0.6282
RJI-01-12	2.649	1.2500	0.7516	0.7536
RJI-01-16	3.729	1.5625	1.0035	1.0056
RJI-01-20	4.807	2.0000	1.2520	1.2544
RJI-01-24	7.063	2.3750	1.5020	1.5044
RJI-01-32	9.810	3.0000	2.0024	2.0053
	[N]	[mm]	[mm]	[mm]
RJ260(U)M-02-12	–	19.000	12.032	12.084
RJ260(U)M-02-16	–	24.000	16.032	16.084
RJ260(U)M-02-20	–	28.000	20.040	20.100
RJ260(U)M-02-25	–	35.000	25.040	25.100

Part No.	Test force	Øi test housing	Min. bearing Øi (plug gauge falls)	Max. bearing Øi (plug gauge sticks)
	[N]	[mm]	[mm]	[mm]
XUMO-01-10	0.981	12.000	9.98	10.02
XUM-01/02-12	1.373	14.000	12.02	12.06
XUM-01-14	1.500	16.000	14.02	14.06
XUM-01/02-16	1.864	18.000	16.02	16.06
XUM-01/02-20	2.649	23.000	20.03	20.07
XUM-01/02-25	3.729	28.000	24.97	25.01
XUM-01/02-30	4.807	34.000	29.96	30.01
XUM-01/02-40	7.063	44.000	40.00	40.05

Explanation:

The iglidur® X material has a higher stiffness than iglidur® J. This causes shifts - depending on the diameter - compared to the ratio of test force to LD diameter. The parts are designed in such a way that under load the clearance between the iglidur® X and iglidur® J plain bearings is as identical as possible. Thereby in the use of iglidur® X liners, increased shifting forces can occur in the unloaded new condition on an h-toleranced shaft.

When using a plain bearing (e.g. JUM/RJM) in connection with an adapter/ housing (e.g. RJUM, OJUM, RGA) the factory tolerance of the housing hole (standard case: H7) is also added to the minimum clearance stated above. The total from these two values then produces the maximum possible bearing tolerance.

The effective bearing clearance is also influenced by the shaft tolerance. The maximum shaft undersize value should be added to give the maximum possible clearance.


F_{max} dynamic:

The maximum values are the result of the projected surface and 5MPa surface pressure.

F_{max} static:

The maximum values are the result of the projected surface and 35MPa surface pressure.

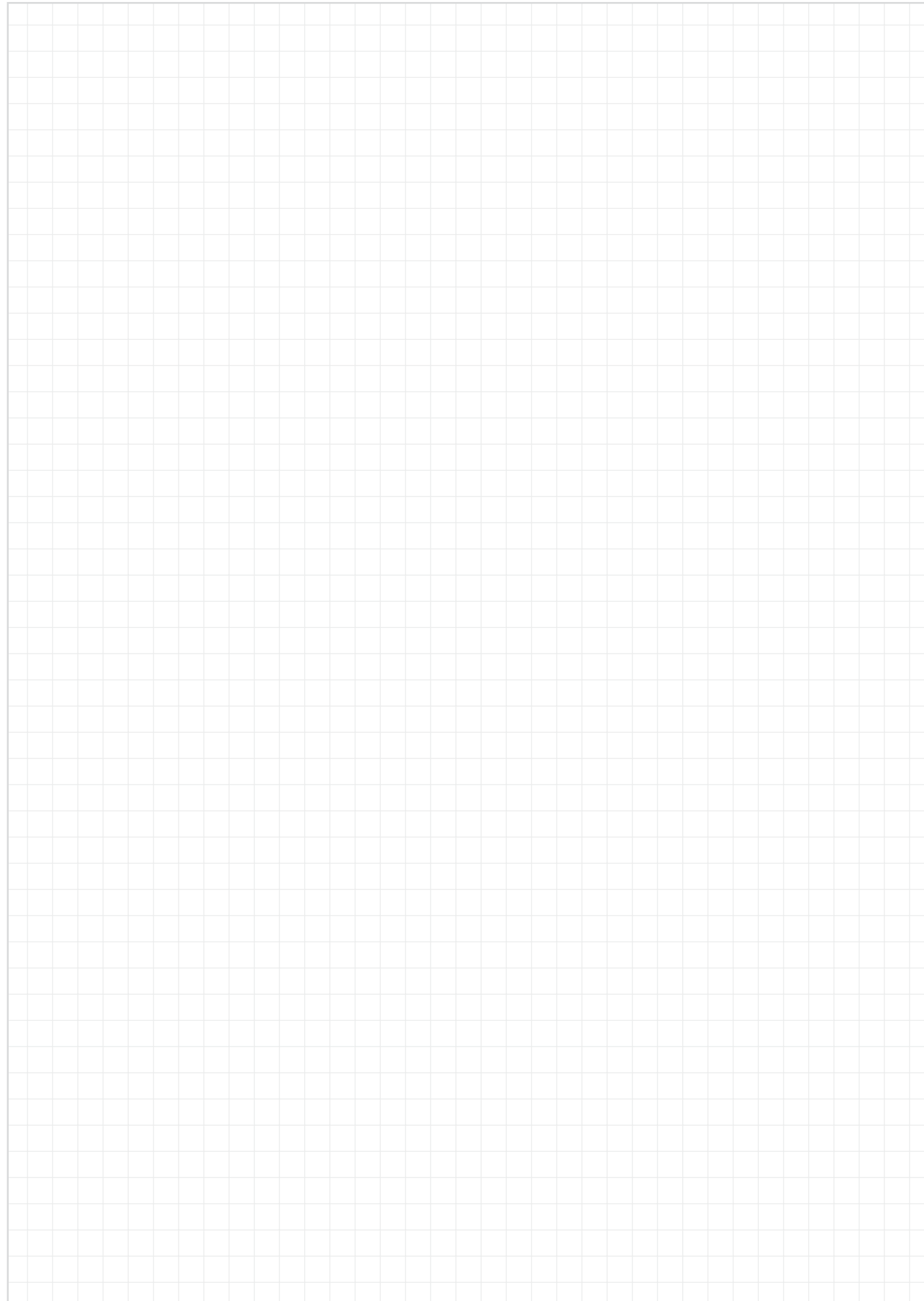
Due to the manufacturing process, the anti-rotation feature of the JUM-01/JUM-02-/JUM-11 liners can be either round or square. Both shapes have no effect on the technical function in all igus® bearing housings and defined housing bores.

 **Installation instructions ► Page 187**

Tightening torque for drylin® metallic screws

Metric thread (Da)	tightening torque [Nm]	Recommended tightening torque [Nm]
M3	0.5 - 1.1	0.7
M4	1.0 - 2.8	1.5
M5	2.0 - 5.5	3.0
M6	4.0 - 10.0	6.0
M8	8.0 - 23.0	15.0
M10	22.0 - 46.0	30.0

Please be aware of the minimal screw-in depth for aluminium and zinc die-casting parts: 1.5xDa



drylin[®] linear technology - drylin[®] shafts

Hard-anodised aluminium shafts for optimum running performance

Stainless steel for high corrosion resistance

Hardened steel and stainless steel shafts

Carbon fibre shafts

Round shafts with or without support



Suitable liner materials:

Potential counter partner	All shaft materials	Aluminium, hard-anodised	Hardened stainless steel	Steel/stainless steel shaft	All shaft materials	Stainless steel
Application temperature	-50 up to +90°C	-50 up to +90°C	-100°C up to +250°C	-50°C up to +70°C	-50 up to +90°C	-50 up to +90°C
Best coefficient of friction with	Steel shaft	Aluminium, hard-anodised	Hard-chromed steel	Steel/stainless steel shaft	Stainless steel shaft	Hardened stainless steel shafts
Maximum service life with	Hard-anodised aluminium	Aluminium, hard-anodised	Hardened stainless steel	Steel/stainless steel shaft	Stainless steel shaft	Hardened stainless steel shafts
Permissible stat. surface pressure	35MPa	23MPa	150MPa	18MPa	28MPa	15MPa
Moisture absorption	1.3% weight	0.7% weight	0.5% weight	< 0.1wt.-%	0.2% weight	< 0.1wt.-%
Volume resistance	> 10 ¹³ Ωcm	> 10 ⁸ Ωcm	< 10 ⁵ Ωcm	> 10 ⁹ Ωcm	> 10 ¹² Ωcm	> 10 ¹² Ωcm
More information	► www.igus.eu/J-material	► www.igus.eu/J200-material	► www.igus.eu/X-material	► www.igus.eu/E7-material	► www.igus.eu/A180-material	► www.igus.eu/A160-material

Available shaft materials:

Aluminium

- Ideal in combination with liners made from iglidur® J/J200
- Lightweight
- Low wear of plain bearings
- Corrosion-resistant
- Available from stock

Steel

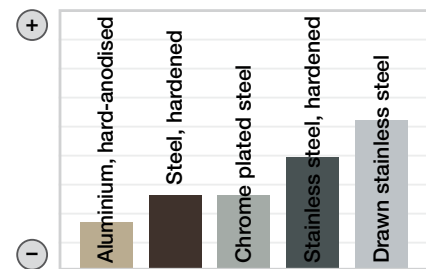
- E7 liners for up to 8 times longer service life
- Cost-effective standard
- High load capacity
- Dry area applications
- Hard chrome plated also available
- Lower coefficient of friction against polymer bearings

Stainless steel

- A180 liners for food and pharmaceutical applications
- Corrosion-resistant
- Chemical-resistant
- Ideal solution for wet applications
- 316 stainless steel for extremely chemical intensive applications

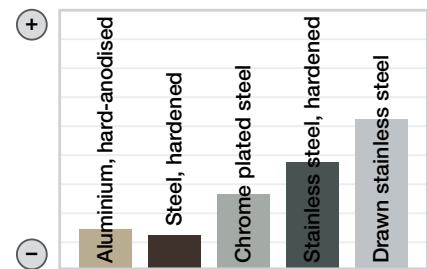
Please remember that this is a technical surface. Small colour variations are possible due to variable coating depths.

Wear



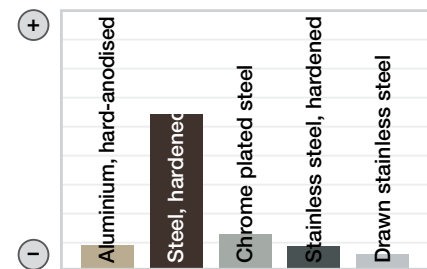
igidur® J against particular shaft materials

Coefficient of friction



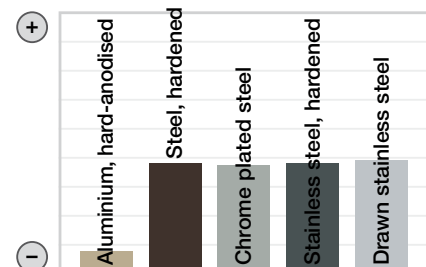
igidur® J against particular shaft materials

Corrosion



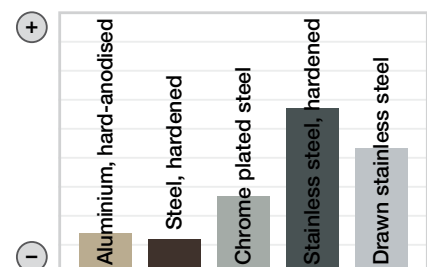
igidur® J against particular shaft materials

Weight



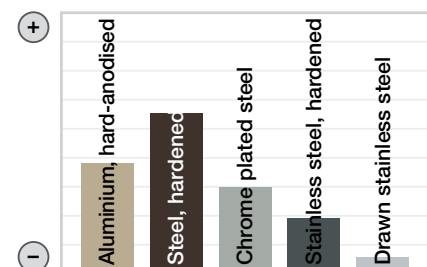
igidur® J against particular shaft materials

Costs



igidur® J against particular shaft materials

Chemical charge

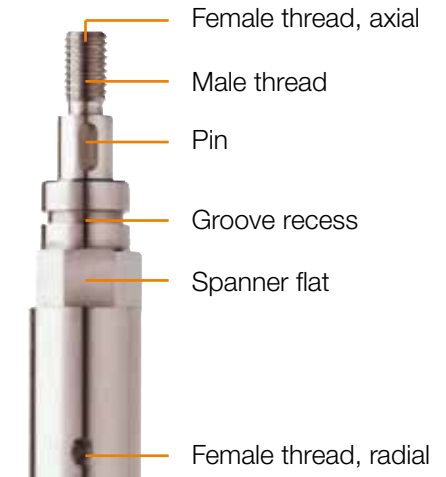


igidur® J against particular shaft materials



Enquiries can be put online as well:

► www.igus.eu/shaftenquiry



Special machining

All shafts can be individually machined. Please send us your drawing. We can then provide a quick quotation.

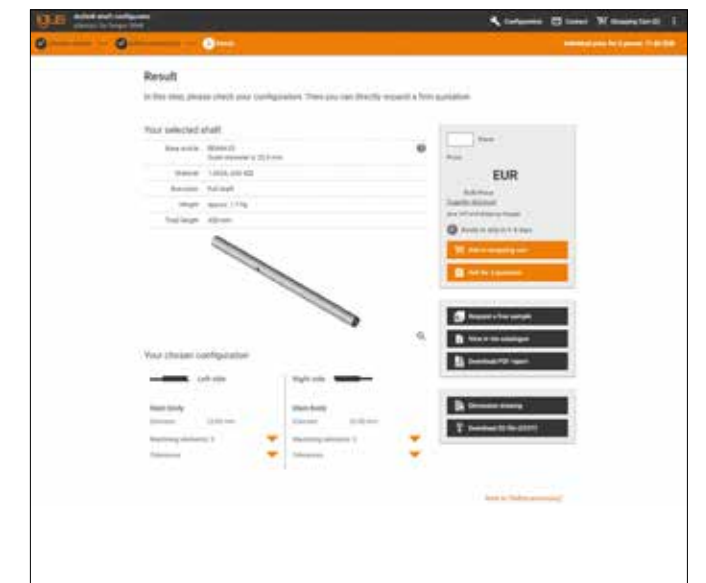
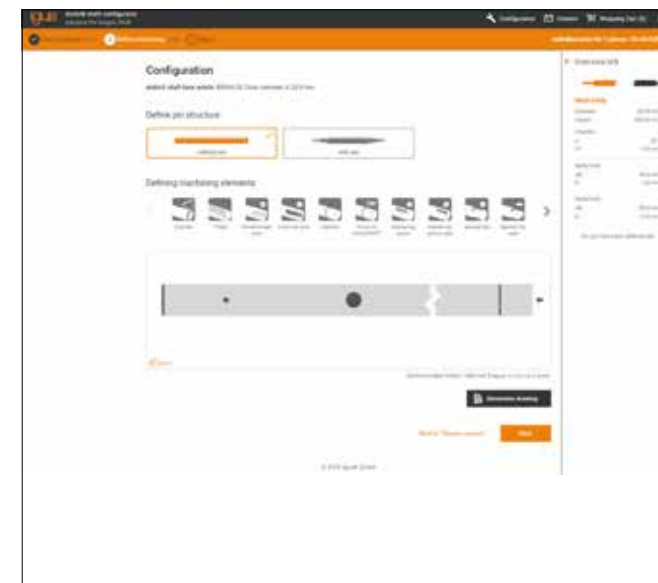


Configurator for guide shafts: guide shafts with machining - anyone can configure online

With this online tool, guide shafts with and without machining can be individually configured and directly ordered. Fast and easy with no previous CAD experience. All in all, the tool allows ordering seven shaft materials, Ø 6 to 50mm. Orders made directly online and delivered quickly.

- Add chamfers with just one click
- Offset machined end possible
- Radial and axial holes, with or without female thread
- With plausibility check
- Live price display

► www.igus.eu/shaft-configurator





AWMR

AWMP



Order key

Type	Size	Options
------	------	---------

AW M P - 06 - 2000

Aluminium shaft	Metric	Precision	Outer Ø	Shaft length [mm]
-----------------	--------	-----------	---------	-------------------

AWMP:
Solid shaft up to
Ø25mm
Hollow shaft from
Ø30mm
AWMR:
Tube

! igus® recommendation: linear plain bearings equipped with iglidur® J200 liners for the longest service life

i Hard anodised surfaces
▶ Page 43

Minimum saw lengths

▶ Page 47

🖱 Please contact us!

drylin® shafts can be individually machined. Please send us your drawing or make the configuration online. We can then provide a quick quotation.

▶ www.igus.eu/shaft-configurator

- Material: EN AW 6061/6060
- Straightness: EN 754-3
- Hardness: 75 HB
- Surface: hard anodised
- Hardness: up to 550 HV
- Imperial shafts available upon request

Dimensions [mm]

Part No.	Design	Outer Ø	Tolerance	Wall thickness	Inner Ø	Max. length	Weight [kg/m]
AWMP-06	Solid shaft	6	h8	–	–	3,000	0.08
AWMP-08	Solid shaft	8	h8	–	–	3,000	0.14
AWMP-10	Solid shaft	10	h8	–	–	3,000	0.22
AWMP-12	Solid shaft	12	h8	–	–	3,000	0.32
AWMR-12	Tube	12	h8	2	8	3,000	0.17
AWMP-16	Solid shaft	16	h8	–	–	3,000	0.56
AWMR-16	Tube	16	h8	2	12	3,000	0.25
AWMP-20	Solid shaft	20	h8	–	–	3,000	0.88
AWMR-20	Tube	20	h9	2	16	3,000	0.32
AWMP-25	Solid shaft	25	h8	–	–	3,000	1.37
AWMR-25	Tube	25	h9	3	19	3,000	0.59
AWMP-30	Hollow shaft	30	h8	7.5	15	3,000	1.48
AWMPV-30	Solid shaft	30	h8	–	–	3,000	1.9
AWMP-40	Hollow shaft	40	h8	10	20	3,000	2.63
AWMPV-40	Solid shaft	40	h8	–	–	3,000	3.4
AWMP-50	Hollow shaft	50	h8	11	28	3,000	3.75
AWMP-60	Hollow shaft	60	h8	11	38	3,000	4.7

Order example:

AWMP-12-500: precision aluminium shaft, 12mm Ø, 500mm length



AWMU



Order key

Type	Size	Options
------	------	---------

AW M U - 12 - 2000

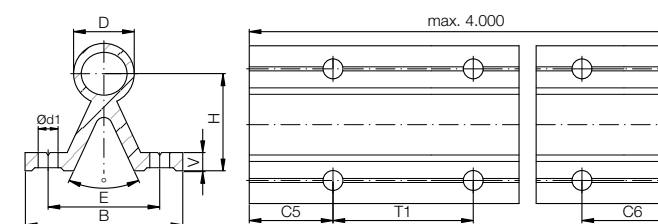
Aluminium shaft	Metric	Supported	Outer Ø	Shaft length [mm]
-----------------	--------	-----------	---------	-------------------

- Material: EN AW 6061/6060
- Straightness: DIN 12020
- Hardness: 75 HB
- Surface: hard anodised
- Hardness: up to 550 HV
- Symmetrical standard hole pattern C5 = C6

i Hard anodised surfaces
▶ Page 43

Minimum saw lengths

▶ Page 47



Dimensions [mm]

Part No.	D	B	H	V	d1	(°)	E	T1	C5/C6	Max. length	Weight [kg/m]	Iy [mm ⁴]	Iz [mm ⁴]	Wby [mm ²]	Wbz [mm ²]
AWMU-12	12	40	22	5	4.5	50	29	75	20 57	4,000	0.75	26,600	19,700	1,330	1,091
AWMU-16	16	45	26	5	5.5	50	33	100	20 69	4,000	1.00	40,000	39,200	1,778	1,844
AWMU-20	20	52	32	6	6.6	50	37	100	20 69	4,000	1.42	76,600	86,200	2,946	3,336
AWMU-25	25	57	36	6	6.6	50	42	120	20 79	4,000	1.81	109,800	146,700	3,853	5,103
AWMU-30	30	69	42	7	9.0	50	51	150	20 94	4,000	2.69	226,900	328,700	6,577	10,049
AWMU-40 ⁸⁶⁾	40	73	50	8	9.0	50	55	200	20 119	4,000	4.06	382,100	734,800	10,468	19,160

⁸⁶⁾ The tolerance for the shaft diameter D amounts -0.15

Order example:

AWMU-16-500: supported aluminium shaft, 16mm Ø, 500mm length



SWM SWUMN SWUM

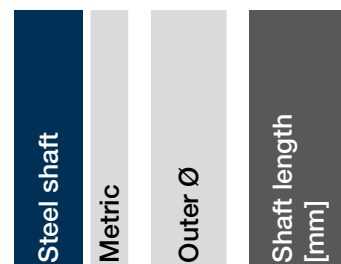
- Completely supported and mounted with standard aluminium support
- Available shaft materials:
 - ▶ Cf53 steel (AISI 1055), hardened/ground
 - ▶ Cf53 steel (AISI 1055), hard chrome
- For supported shafts:
 - ▶ Partial shaft support supplied in lengths of 600mm max.
 - ▶ Standard pitch T2, T1 also possible upon request
 - ▶ Symmetrical hole pitches C5 = C6



Order key

Type Size Options

SW M- 06 - 2000



! igus® recommendation: linear plain bearings equipped with iglidur® E7 liners for 8 times longer service life

Dimensions [mm] - steel shafts 1.1213

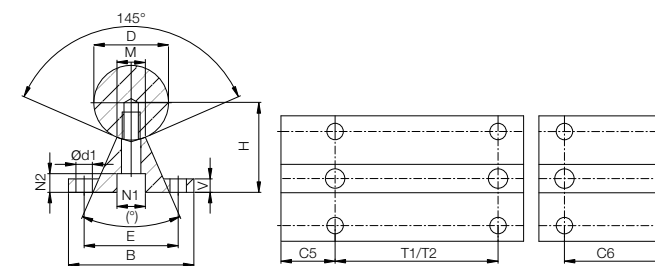
Part No.	Outer Ø	Weight [kg/m]	Max. length	Effective hardness depth (at 1.1213)
SWM-06	6	0.222	3,000	0.8
SWM-08	8	0.359	4,000	0.9
SWM-10	10	0.617	4,000	0.9
SWM-12	12	0.888	6,000	1.0
SWM-16	16	1.578	6,000	1.2
SWM-20	20	2.466	6,000	1.6
SWM-25	25	3.853	6,000	1.8
SWM-30	30	5.549	6,000	2.0
SWM-40	40	9.865	6,000	2.2
SWM-50	50	15.413	6,000	2.4

Dimensions [mm] - hard chrome steel shafts 1.1213

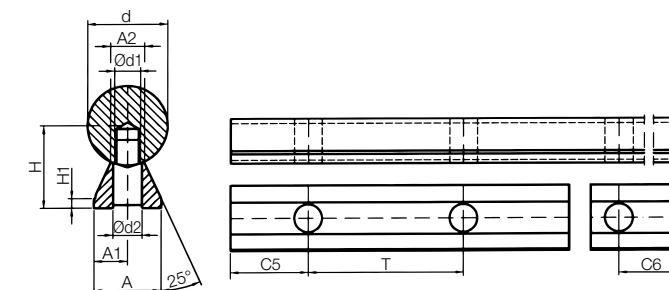
Part No.	Outer Ø	Weight [kg/m]	Max. length	Effective hardness depth (at 1.1213)
SWMH-06	6	0.222	3,000	0.8
SWMH-08	8	0.359	4,000	0.9
SWMH-10	10	0.617	4,000	0.9
SWMH-12	12	0.888	6,000	1.0
SWMH-16	16	1.578	6,000	1.2
SWMH-20	20	2.466	6,000	1.6
SWMH-25	25	3.853	6,000	1.8
SWMH-30	30	5.549	6,000	2.0
SWMH-40	40	9.865	6,000	2.2
SWMH-50	50	15.413	6,000	2.4

! Order example:
SWM-16-500: steel shaft 16mm Ø 1.1213, 500mm length

SWUM



SWUMN



Contact us!

drylin® shafts can be individually machined. Please send us your drawing or make the configuration online. We can then provide a quick quotation.

▶ www.igus.eu/shaft-configurator

Dimensions [mm] - supported steel shafts 1.1213

Part No.	D	B	H	V	N1	N2	d1	M (°)	E	T1		T2		C5/C6	Weight [kg/m]		
										±0.15	min. max.	min. max.	min. max.				
			±0.02								for T1	Standard	for T2				
SWUM-12	12	40	22	5	8.0	5.0	4.5	5.8	50	29	75	20	57	120	20	79	1.75
SWUM-16	16	45	26	5	9.5	6.0	5.5	7.0	50	33	100	20	69	150	20	94	2.64
SWUM-20	20	52	32	6	11.0	6.5	6.6	8.3	50	37	100	20	69	150	20	94	3.97
SWUM-25	25	57	36	6	14.0	8.5	6.6	10.8	50	42	120	20	79	200	20	119	5.65
SWUM-30	30	69	42	7	17.0	10.5	9.0	11.0	50	51	150	20	94	200	20	119	7.93
SWUM-40	40	73	50	8	17.0	10.5	9.0	15.0	50	55	200	20	119	300	20	169	12.88
SWUM-50	50	84	60	9	19.0	12.5	11.0	19.0	46	63	200	20	119	300	20	169	19.60

Dimensions [mm] - low-level supported steel shafts 1.1213

Part No.	d	H	H1	A	A1	A2	d1	d2	T	C5/C6		Weight [kg/m]
		±0.02				±0.02				min.	max.	
SWUMN-12	12	14.5	3	11	5.5	5.4	M4	4.5	75	20	57	1.62
SWUMN-16	16	18	3	14	7.0	7.0	M5	5.5	75	20	57	2.54
SWUMN-20	20	22	3	17	8.5	8.1	M6	6.6	75	20	57	3.81
SWUMN-25	25	26	3	21	10.5	10.3	M8	9.0	75	20	57	5.62
SWUMN-30	30	30	3	23	11.5	11.0	M10	11.0	100	20	69.5	7.63
SWUMN-40	40	39	4	30	15.0	15.0	M12	13.5	100	20	69.5	13.47
SWUMN-50	50	46	5	35	17.5	19.0	M14	15.5	100	20	69.5	20.31

Low-level supported shafts are delivered unassembled.

! Order example:
SWUM-16-500: supported steel shaft 16mm ø made from 1.1213, 500mm length



EWM

EEWM

EWMR



igus® recommendation: linear plain bearings equipped with iglidur® E7 liners for 8 times longer service life

**Contact us!**

drylin® shafts can be individually machined. Please send us your drawing or make the configuration online. We can then provide a quick quotation.

► www.igus.eu/shaft-configurator

Dimensions [mm] - hardened stainless steel AISI 440B

Part No.	Outer Ø	Weight [kg/m]	Max. length	Effective hardness depth
EWM-06	6	0.222	3,000	0.8
EWM-08	8	0.359	4,000	0.9
EWM-10	10	0.617	4,000	0.9
EWM-12	12	0.888	6,000	1.0
EWM-16	16	1.578	6,000	1.2
EWM-20	20	2.466	6,000	1.6
EWM-25	25	3.853	6,000	1.8
EWM-30	30	5.549	6,000	2.0
EWM-40	40	9.865	6,000	2.2
EWM-50	50	15.413	6,000	2.4

**Order key**

Type	Size	Options
EW M-	06	-2000

Available shaft materials:

AISI 440B, hardened/ground ► EWM
 AISI 420C, hardened/ground ► EEWM
 AISI 304, drawn ► EWMR
 AISI 316Ti, drawn ► EWMS

Dimensions [mm] - hardened stainless steel AISI 420C

Part No.	Outer Ø	Weight [kg/m]	Max. length	Effective hardness depth
EEWM-06	6	0.222	3,000	0.8
EEWM-08	8	0.359	4,000	0.9
EEWM-10	10	0.617	4,000	0.9
EEWM-12	12	0.888	6,000	1.0
EEWM-16	16	1.578	6,000	1.2
EEWM-20	20	2.466	6,000	1.6
EEWM-25	25	3.853	6,000	1.8
EEWM-30	30	5.549	6,000	2.0
EEWM-40	40	9.865	6,000	2.2
EEWM-50	50	15.413	6,000	2.4

Dimensions [mm] - stainless steel AISI 304 (EWMR) or AISI 316Ti soft stainless steel (EWMS)

Part No.	Outer Ø	Weight [kg/m]	Max. length	
EWMR-06	EWMS-06	6	0.222	3,000
EWMR-08	EWMS-08	8	0.359	3,000
EWMR-10	EWMS-10	10	0.617	3,000
EWMR-12	EWMS-12	12	0.888	3,000
EWMR-16	EWMS-16	16	1.578	3,000
EWMR-20	EWMS-20	20	2.466	3,000
EWMR-25	EWMS-25	25	3.853	3,000
EWMR-30	EWMS-30	30	5.549	3,000
EWMR-40	EWMS-40	30	5.549	3,000
EWMR-50		30	5.549	3,000

**Order example:**

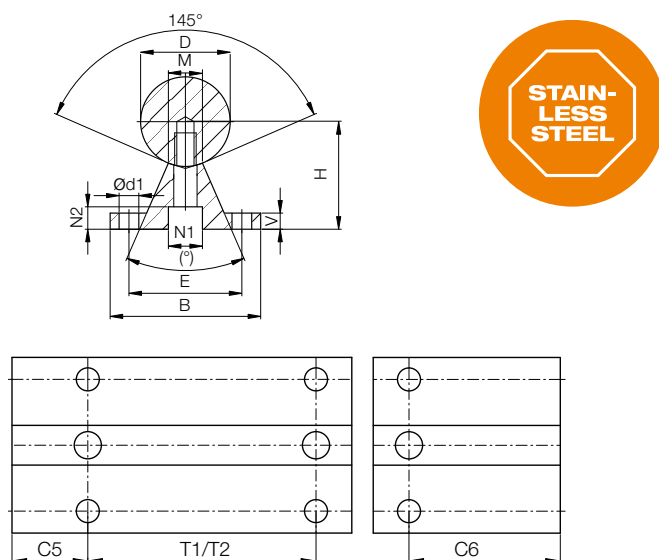
EWM-16-500: Stainless steel shaft (AISI 440B) with 16mm Ø, 500mm length



EWUM. EEWUM

! igus® recommendation: linear plain bearings equipped with iglidur® E7 liners for 8 times longer service life

- Completely supported and mounted with standard aluminium support
- For supported shafts:
 - ▶ Partial shaft support supplied in lengths of 600mm max.
 - ▶ Standard pitch T2, T1 also possible upon request
 - ▶ Symmetrical hole pitches C5 = C6



Dimensions [mm] -

supported stainless steel shafts EWM (AISI 440B) / EEWUM (AISI 420)

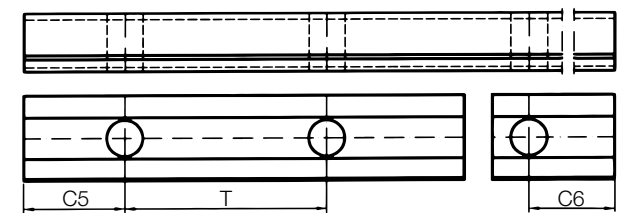
Part No.	D	B	H	V	N1	N2	d1	M	(°)	E	T1	C5/C6		T2	C5/C6		Weight
												min.	max.		min.	max.	
			±0.02								±0.15	for T1	Standard		Standard		
□WUM-12	12	40	22	5	8.0	5.0	4.5	5.8	50	29	75	20	57	120	20	79	1.75
□WUM-16	16	45	26	5	9.5	6.0	5.5	7.0	50	33	100	20	69	150	20	94	2.64
□WUM-20	20	52	32	6	11.0	6.5	6.6	8.3	50	37	100	20	69	150	20	94	3.97
□WUM-25	25	57	36	6	14.0	8.5	6.6	10.8	50	42	120	20	79	200	20	119	5.65
□WUM-30	30	69	42	7	17.0	10.5	9.0	11.0	50	51	150	20	94	200	20	119	7.93
□WUM-40	40	73	50	8	17.0	10.5	9.0	15.0	50	55	200	20	119	300	20	169	12.88
□WUM-50	50	84	60	9	19.0	12.5	11.0	19.0	46	63	200	20	119	300	20	169	19.60

Order example:

EWUM-16-500-T1: Supported stainless steel shaft EWM (AISI 440B), with 16mm outer Ø, 500mm length, T1 pitch
EEWUM-16-500-T1: Supported stainless steel shaft (AISI 420C) with 16mm outer Ø, 500mm length, T1 pitch



EWUMN. EEWUMN



Dimensions [mm] -

low-level supported steel shafts EWM (AISI 440B) / EEWUM (AISI 420)

Part No.	Outer Ø	H	H1	A	A1	A2	d1	d2	T	C5/C6		Weight
										min.	max.	
□WUMN-12	12	14.5	3	11	5.5	5.4	M4	4.5	75	20	57.0	1.62
□WUMN-16	16	18.0	3	14	7.0	7.0	M5	5.5	75	20	57.0	2.54
□WUMN-20	20	22.0	3	17	8.5	8.1	M6	6.6	75	20	57.0	3.81
□WUMN-25	25	26.0	3	21	10.5	10.3	M8	9.0	75	20	57.0	5.62
□WUMN-30	30	30.0	3	23	11.5	11.0	M10	11.0	100	20	69.5	7.63
□WUMN-40	40	39.0	4	30	15.0	15.0	M12	13.5	100	20	69.5	13.47
□WUMN-50	50	46.0	5	35	17.5	19.0	M14	15.5	100	20	69.5	20.31

Low-level supported shafts are delivered unassembled.

Order example:

EWUMN-16-500: Low level supported stainless steel shaft EWM (AISI 440B), with 16mm outer Ø, 500mm length, T pitch
EEWUM-16-500: Low-level supported stainless steel shaft EEWUM (AISI 420C), 16mm outer Ø, 500mm length, T pitch

Order key

Type	Size	Options
EWUMN- 20 -2000-T1		
Low-level supported stainless steel shaft, metric	Outer Ø	Shaft length [mm]
		Hole pattern

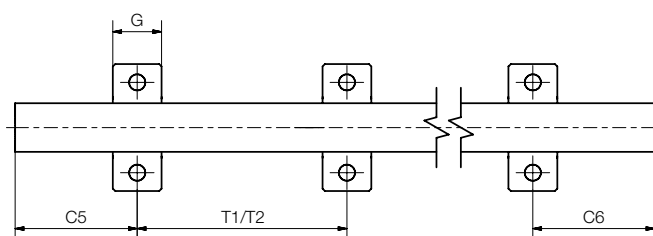
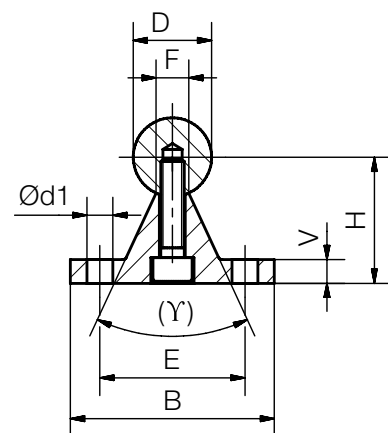
EWUM, EEWUM: Supported stainless steel shaft
 EWUMN,EEWUMN: Low-level supported stainless steel shafts

Further available materials:

AISI 440B, hardened/ground: EWM
 AISI 420C, hardened/ground: EEWUM

Hole pattern:

T2: T2 pitch (standard)
 T1: T1 pitch (upon request)

EWUM-ES/
EWUMS-ES

! igus® recommendation: linear plain bearings equipped with iglidur® E7 liners for 8 times longer service life

Standard shaft support blocks made of stainless steel

● Connection sizes are identical to aluminium supports

► Page 274

Dimensions [mm] - partially supported stainless steel shafts AISI 440B

Part No.	D h6	B	H ±0.02	V	d1	E	γ	F	G	T1	C5/C6 for T1		T2 Standard	C5/C6 for T2	
											min.	max.		min.	max.
EWUM-ES-12	12	40	22	5	4.5	29	-	5.8	14	75	20	57	120	20	79
EWUM-ES-16	16	45	26	5	5.5	33	-	7.0	16	100	20	69	150	20	94
EWUM-ES-20	20	52	32	6	6.6	37	50°	8.3	20	100	20	69	150	20	94
EWUM-ES-25	25	57	36	6	6.6	42	-	10.8	25	150	20	79	200	20	119
EWUM-ES-30	30	69	42	7	9.0	51	-	11.0	25	150	20	94	200	20	119
EWUM-ES-40	40	73	50	8	9.0	55	-	15.0	25	200	20	119	300	20	169

🛒 Order example:

EWUM-ES-20-500, partially supported stainless steel shaft (shaft and support made of stainless steel), AISI 440B material, T2 pitch, outer Ø 20mm, L = 500mm



🔑 Order key

Type Size Options

EWUMS-ES- 20 -500-T2

Partially supported stainless steel shaft, metric	Material	Outer Ø	Shaft length [mm]	Hole pattern
---	----------	---------	-------------------	--------------

Available materials and lengths:

AISI 440B, max 6,000mm

► EWUM

AISI 316Ti, max 3,000mm

► EWUMS

Options:

Blank: AISI 440B material

S: AISI 316Ti

Hole pattern:

T2: T2 pitch (standard)

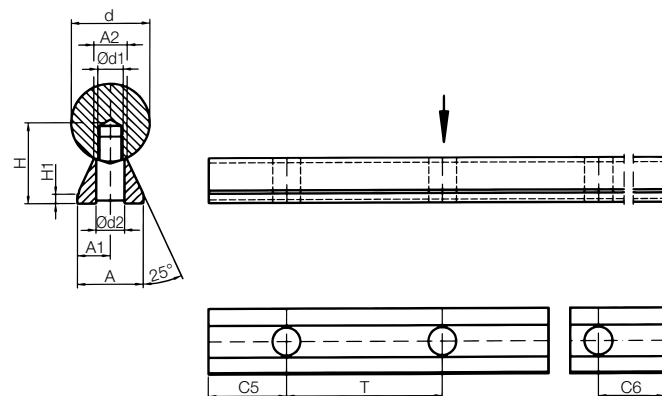
T1: T1 pitch

Dimensions [mm] - partially supported stainless steel shafts AISI 316Ti

Part No.	D h6	B	H ±0.02	V	d1	E	γ	F	G	T1	C5/C6 for T1		T2 Standard	C5/C6 for T2	
											min.	max.		min.	max.
EWUMS-ES-12	12	40	22	5	4.5	29	-	5.8	14	75	20	57	120	20	79
EWUMS-ES-16	16	45	26	5	5.5	33	-	7.0	16	100	20	69	150	20	94
EWUMS-ES-20	20	52	32	6	6.6	37	50°	8.3	20	100	20	69	150	20	94
EWUMS-ES-25	25	57	36	6	6.6	42	-	10.8	25	150	20	79	200	20	119
EWUMS-ES-30	30	69	42	7	9.0	51	-	11.0	25	150	20	94	200	20	119
EWUMS-ES-40	40	73	50	8	9.0	55	-	15.0	25	200	20	119	300	20	169

🛒 Order example:

EWUMS-ES-20-500, partially supported stainless steel shaft (shaft and support made of stainless steel), AISI 316Ti material, T1 pitch, outer Ø 20mm, L = 500mm

EWUMN-ES/
EWUMSN-ES

! igus® recommendation: linear plain bearings equipped with iglidur® E7 liners for 8 times longer service life

Low level shaft support blocks made of stainless steel

- Connection sizes are identical to low-level aluminium supports ► [Page 275](#)

Dimensions [mm] - low-level partially supported stainless steel shafts AISI 440B

Part No.	d	H ±0.02	H1	A	A1	A2	d1	d2	T	C5/C6		Weight [kg/m]
										min.	max.	
EWUMN-ES-12	12	14.5	3	11	5.5	5.4	M4	4.2	75	20	57.0	1.00
EWUMN-ES-16	16	18.0	3	14	7.0	7.0	M5	5.2	75	20	57.0	1.76
EWUMN-ES-20	20	22.0	3	17	8.5	8.1	M6	6.2	75	20	57.0	2.77
EWUMN-ES-25	25	26.0	3	21	10.5	10.3	M8	8.2	75	20	57.0	4.35
EWUMN-ES-30	30	30.0	3	23	11.5	11.0	M10	10.2	100	20	69.5	6.01
EWUMN-ES-40	40	39.0	4	30	15.0	15.0	M12	12.5	100	20	69.5	10.80

Low-level partially supported stainless steel shafts are supplied unassembled

🛒 Order example:

EWUMN-ES-20-500: Low-level partially supported stainless steel shaft. AISI 440B material, T2 pitch (standard), with 20mm outer Ø, 500mm length



🔑 Order key

Type	Size	Options
EWUMSN-ES- 20 -500-T2		
Partially supported stainless steel shaft, metric	Material	Outer Ø
	Shaft length [mm]	Hole pattern

Available materials and lengths:

AISI 440B, max 6,000mm

► EWUMN

AISI 316Ti, max 3,000mm

► EWUMSN

Dimensions [mm] - low-level partially supported stainless steel shafts AISI 316Ti

Part No.	d	H ±0.02	H1	A	A1	A2	d1	d2	T	C5/C6		Weight [kg/m]
										min.	max.	
EWUMSN-ES-12	12	14.5	3	11	5.5	5.4	M4	4.2	75	20	57.0	1.00
EWUMSN-ES-16	16	18.0	3	14	7.0	7.0	M5	5.2	75	20	57.0	1.76
EWUMSN-ES-20	20	22.0	3	17	8.5	8.1	M6	6.2	75	20	57.0	2.77
EWUMSN-ES-25	25	26.0	3	21	10.5	10.3	M8	8.2	75	20	57.0	4.35
EWUMSN-ES-30	30	30.0	3	23	11.5	11.0	M10	10.2	100	20	69.5	6.01
EWUMSN-ES-40	40	39.0	4	30	15.0	15.0	M12	12.5	100	20	69.5	10.80

Low-level partially supported stainless steel shafts are supplied unassembled

🛒 Order example:

EWUMSN-ES-20-500-T2: Low-level partially supported stainless steel shaft. AISI 316Ti material, T2 pitch, with 20mm outer Ø, 500mm length



CWM

- Material: CFK composite
- Roundness tolerance: $\pm 0.05\text{mm}$
- Diameter tolerance: -0.1mm
- Application temperature: Max. $+80^\circ\text{C}$
- Colour: black

Order key

Type	Size	Options
------	------	---------

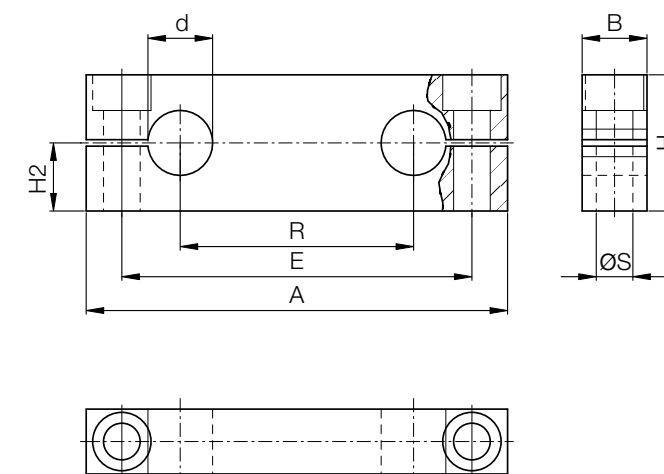
CWM- 12 -1000

Carbon fibre shaft	Metric	Outer \varnothing	Shaft length [mm]
--------------------	--------	---------------------	-------------------

Dimensions [mm]

Part No.	Design	Outer \varnothing -0.1	Inner \varnothing -0.1	Max. length	Weight [g/m]
CWM-12	Hollow shaft	12	9.0	2,000	70
CWM-16	Hollow shaft	16	12.5	2,000	120
CWM-20	Hollow shaft	20	16.0	2,000	170
CWM-30	Hollow shaft	30	26.0	2,000	270

Order example:

CWM-16-500: carbon fibre shaft, 16mm outer \varnothing , 500mm length

Order key

Type	Size
------	------

TA -08

Shaft end supports, floating	Inner \varnothing
------------------------------	---------------------

- Material: aluminium
- Threaded fixing hole

Dimensions [mm]

Part No.	d	A	B	H	H2 ± 0.015	$\varnothing S$	E	R	Weight [g]
TA-08	8	65	12	22	11	M5	52	32	40
TA-10	10	70	12	21	10.5	M5	55	34	37
TA-12	12	85	14	28	14	M6	70	42	70
TA-16	16	100	18	32	16	M8	82	54	130
TA-20	20	130	20	42	21	M10	108	72	220
TA-25	25	160	25	52	26	M12	132	88	440
TA-30	30	180	25	58	29	M12	150	96	560
TA-40	40	230	30	72	36	M16	190	122	1,000

Order example:

TA-10: floating shaft end support with inner \varnothing 10mm



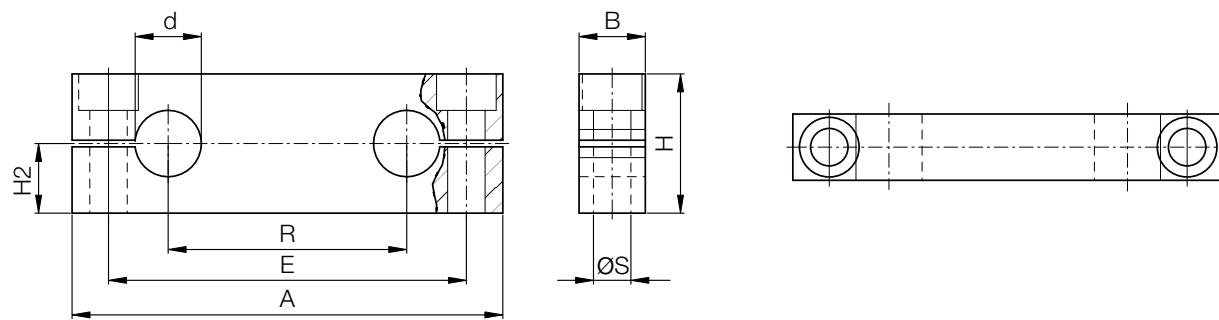
Order key

Type	Size
------	------

TA F - 08

Shaft end support	Fixed	Inner Ø
-------------------	-------	---------

Material: aluminium
Through fixing hole



Dimensions [mm]

Part No.	d	A	B	H	H2	Ø S	E	R	Weight [g]
TAF-08	8	65	12	23	±0.015 12.5	5.5	52	32	40
TAF-10	10	70	12	25	14.0	5.5	55	34	45
TAF-12	12	85	14	32	18.0	6.6	70	42	90
TAF-16	16	100	18	36	20.0	9.0	82	54	140
TAF-20	20	130	20	46	25.0	11.0	108	72	250
TAF-25	25	160	25	56	30.0	13.5	132	88	470
TAF-30	30	180	25	64	35.0	13.5	150	96	620
TAF-40	40	230	30	80	44.0	17.5	190	122	1,150

Order example:
TAF-12: fixed shaft end support with 12mm inner Ø



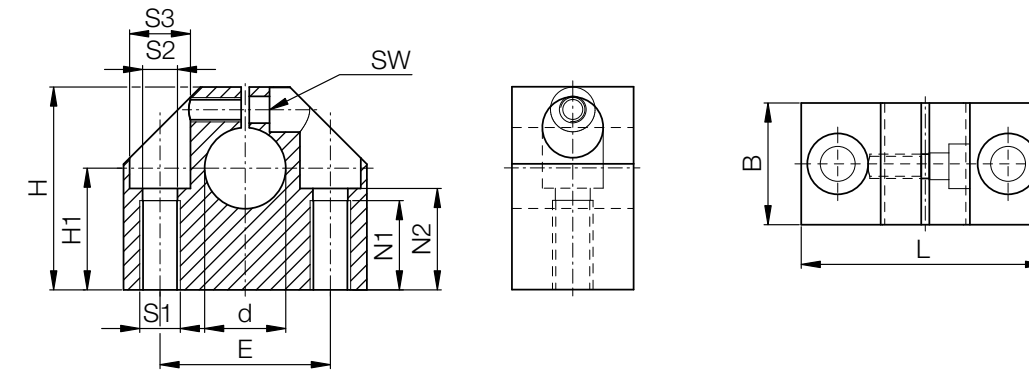
Order key

Type	Size
------	------

WA - 08

Shaft end block	Standard design	Inner Ø
-----------------	-----------------	---------

Material: aluminium



Dimensions [mm]

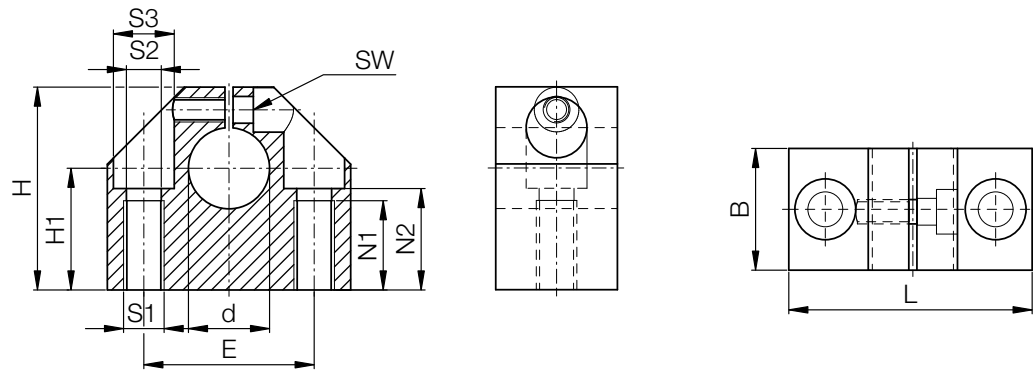
Part No.	d	B	H	H1	L	S1	S2	S3	E	N1	N2	SW	l	a	c	Weight [g]
WA-08	H8 8	18	28	±0.02 15	32	M4	3.3	6	±0.1 22	9	13.0	2.5	±0.02 16.0	5	0.5	40
WA-12	12	20	35	20	43	M6	5.2	10	30	13	16.5	3.0	21.5	6	0.5	100
WA-16	16	24	42	25	53	M8	6.8	11	38	18	21.0	4.0	26.5	7	0.5	150
WA-20	20	30	50	30	60	M10	8.6	15	42	22	25.0	5.0	30.0	7	0.5	230
WA-25	25	38	60	35	78	M12	10.3	18	56	26	30.0	6.0	39.0	7	0.5	410
WA-30	30	40	70	40	87	M12	10.3	18	64	26	34.0	6.0	43.5	7	0.5	530
WA-40	40	48	90	50	108	M16	14.25	20	82	34	44.0	8.0	54.0	7	0.5	990
WA-50	50	58	105	60	132	M20	17.5	26	100	43	49.0	10.0	66.0	7	0.5	1,250
WA-60	60	74	130	75	164	M27	22.0	33	124	43	59.0	10.0	82.0	13	1.0	2,950

Order example:
WA-08: shaft end block, standard design with inner Ø 8mm

Order key

Type	Size
WA C-06	
Shaft end block	Compact design
	Inner Ø

Material: aluminium



Dimensions [mm]

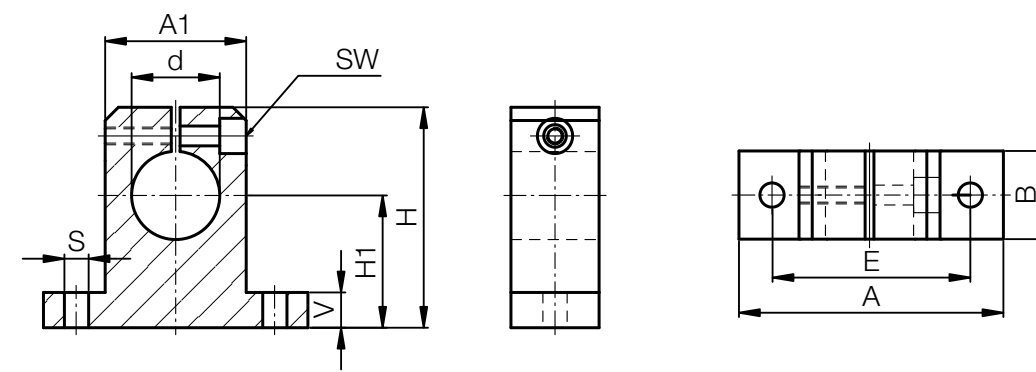
Part No.	d	B	H	H1 from +0.01 to +0.02	L	S1	S2	S3	E ±0.1	N1	N2	SW	Weight [g]
WAC-06	6	16	27	15	32	M5	4.2	8	22	11	13	2.5	30
WAC-08	8	16	27	16	32	M5	4.2	8	22	11	13	2.5	30
WAC-10	10	18	33	18	40	M6	5.2	10	27	13	16	3.0	50
WAC-12	12	18	33	19	40	M6	5.2	10	27	13	16	3.0	50
WAC-14	14	20	38	20	45	M6	5.2	10	32	13	18	3.0	70
WAC-16	16	20	38	22	45	M6	5.2	10	32	13	18	3.0	70
WAC-20	20	24	45	25	53	M8	6.8	11	39	18	22	4.0	120
WAC-25	25	28	54	31	62	M10	8.6	15	44	22	26	5.0	170
WAC-30	30	30	60	34	67	M10	8.6	15	49	22	29	5.0	220
WAC-40	40	40	76	42	87	M12	10.3	18	66	26	38	6.0	480
WAC-50	50	50	92	50	103	M16	14.25	20	80	34	46	8.0	820

Order example:
WAC-12: shaft end block, compact design with inner Ø 12mm

Order key

Type	Size
WA S-08	
Shaft end block	Narrow design
	Inner Ø

Material: aluminium



Dimensions [mm]

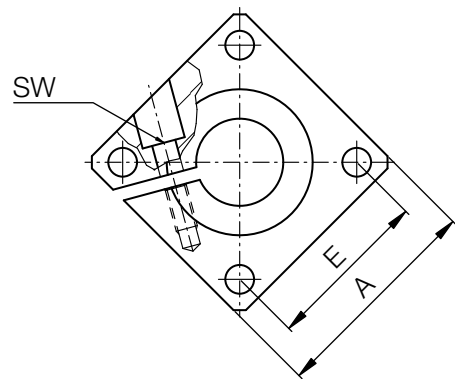
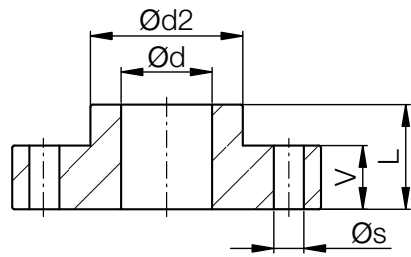
Part No.	d	H	H1 ±0.02	A	A1	B	E	S	V	SW	Weight [g]
WAS-08	8	27	15	32	16	10	25	4.5	5.0	2.5	12
WAS-12	12	35	20	42	20	12	32	5.5	5.5	3.0	23
WAS-16	16	42	25	50	26	16	40	5.5	6.5	3.0	35
WAS-20	20	50	30	60	32	20	45	5.5	8.0	4.0	67
WAS-25	25	58	35	74	38	25	60	6.6	9.0	4.0	140
WAS-30	30	68	40	84	45	28	68	9.0	10.0	5.0	200
WAS-40	40	86	50	108	56	32	86	11.0	12.0	6.0	480

Order example:
WAS-12: shaft end block, narrow design with inner Ø 12mm

Order key

Type	Size
WA F -12	
Shaft end block	
With flange	
Inner Ø	

Material: aluminium



Dimensions [mm]

Part No.	Ø d	A	L	Ø d2	E	Ø s	V	SW	Weight [g]
WAF-12	12	40	20	23.5	30 ± 0.12	5.5	12	3	60
WAF-16	16	50	20	27.5	35 ± 0.12	5.5	12	3	80
WAF-20	20	50	23	33.5	38 ± 0.15	6.6	14	4	100
WAF-25	25	60	25	42.0	42 ± 0.15	6.6	16	5	150
WAF-30	30	70	30	49.5	54 ± 0.15	9.0	19	6	300
WAF-40	40	100	40	65.0	68 ± 0.25	11.0	26	8	700
WAF-50	50	100	50	75.0	75 ± 0.25	11.0	36	8	1,200

Order example:
WAF-16: flanged shaft end block with inner Ø 16mm

drylin® linear guides expert
With the drylin® linear guides expert, you can configure a linear guide to suit your particular application and, at the same time, calculate its service life. After this, you can simply order your configuration online or request further information.

Select series

- drylin® T** Profile guide-rail system
 - Max. load capacity up to 14,000 N
 - Widths from 17 mm to 50 mm
 - Installation dimensions from 8 mm to 42 mm
 - Temperatures from -40°C to 80°C
 - Adjustable clearance
- drylin® R** Low profile guide
 - Max. load capacity up to 1,000 N
 - Widths from 17 mm to 30 mm
 - Installation dimensions from 8 mm to 12 mm
 - Temperatures from -40°C to 50°C
 - Low height
- drylin® M** Modular guide system kit
 - Max. load capacity up to 12,000 N
 - Temperatures from -40°C to 30°C
 - Quick and easy assembly
 - Resistant to dust & dirt
 - Low installation height
 - Easy installation
- drylin® K** Shaft guide
 - Max. load capacity up to 70,000 N
 - diameters from 8 mm to 80 mm
 - Temperatures from -100°C to 250°C
 - Fixed and supported shafts
 - 4 shaft supported
 - Replaceable with ball bearings

Expert for linear guides: System selection and service life calculation with CAD

Configure and calculate the service life of linear bearings - constantly expanded by new sizes and products

Easily calculate the service life of your required linear guide and configure with a few clicks. Select a drylin® system and add the relevant environmental parameters. Select the bearing size, carriage, number and position. Then enter the distance between the rails and the mounting. Define more relevant parameter of the guidance and select a rail length. The results are displayed.



► www.igus.eu/drylin-expert

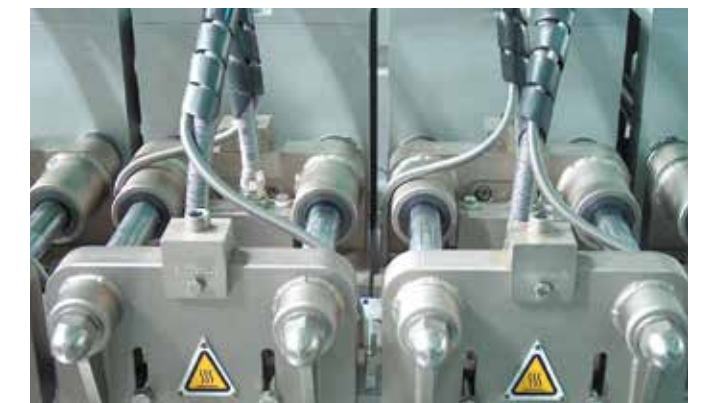


Download the online tool

app now



Aluminium shafts in combination with iglidur® J enable high speeds due to the lightweight.



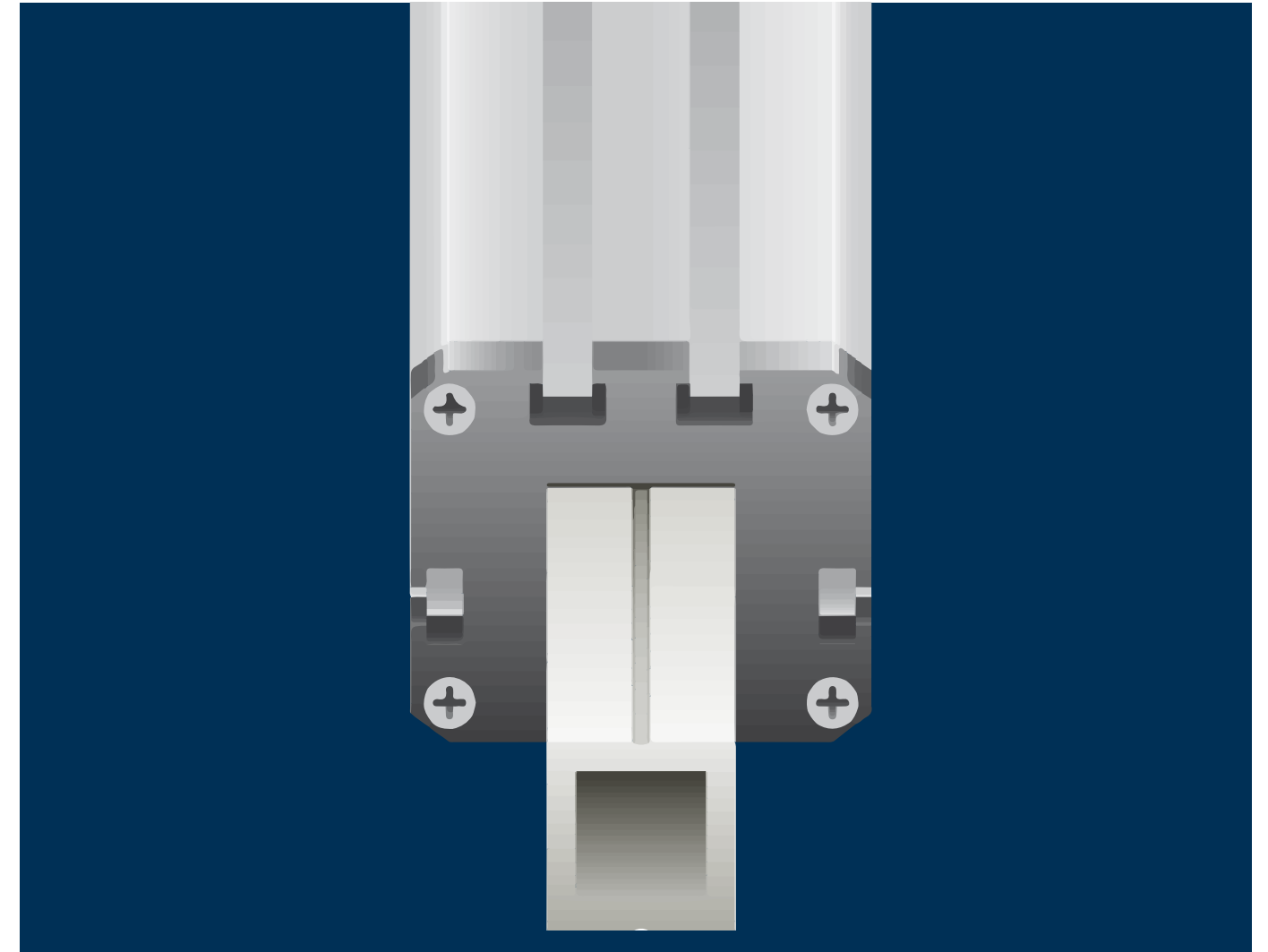
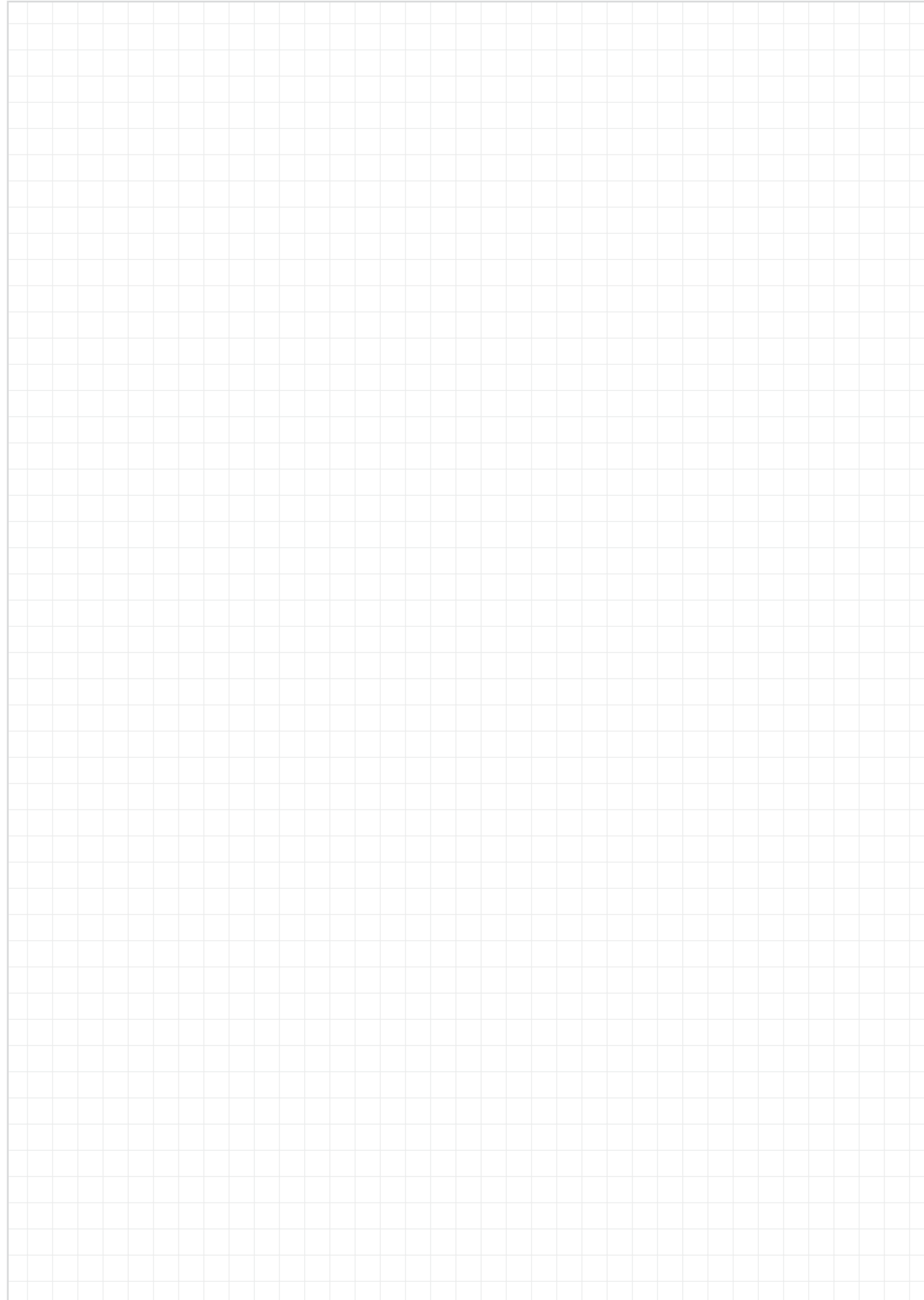
Stainless steel shafts combined with iglidur® X, offer maximum resistance at +120 °C. Cleaning in filling machine.



Stainless steel combined with iglidur® J in cut-off grinding machine. Grinding particles and coolants, extreme conditions.



Cost-effective guide for work piece carriage in a machine tool with supported aluminium shaft.



drylin[®] linear technology - drylin[®] Q square linear guides

Torque-resistant linear guides

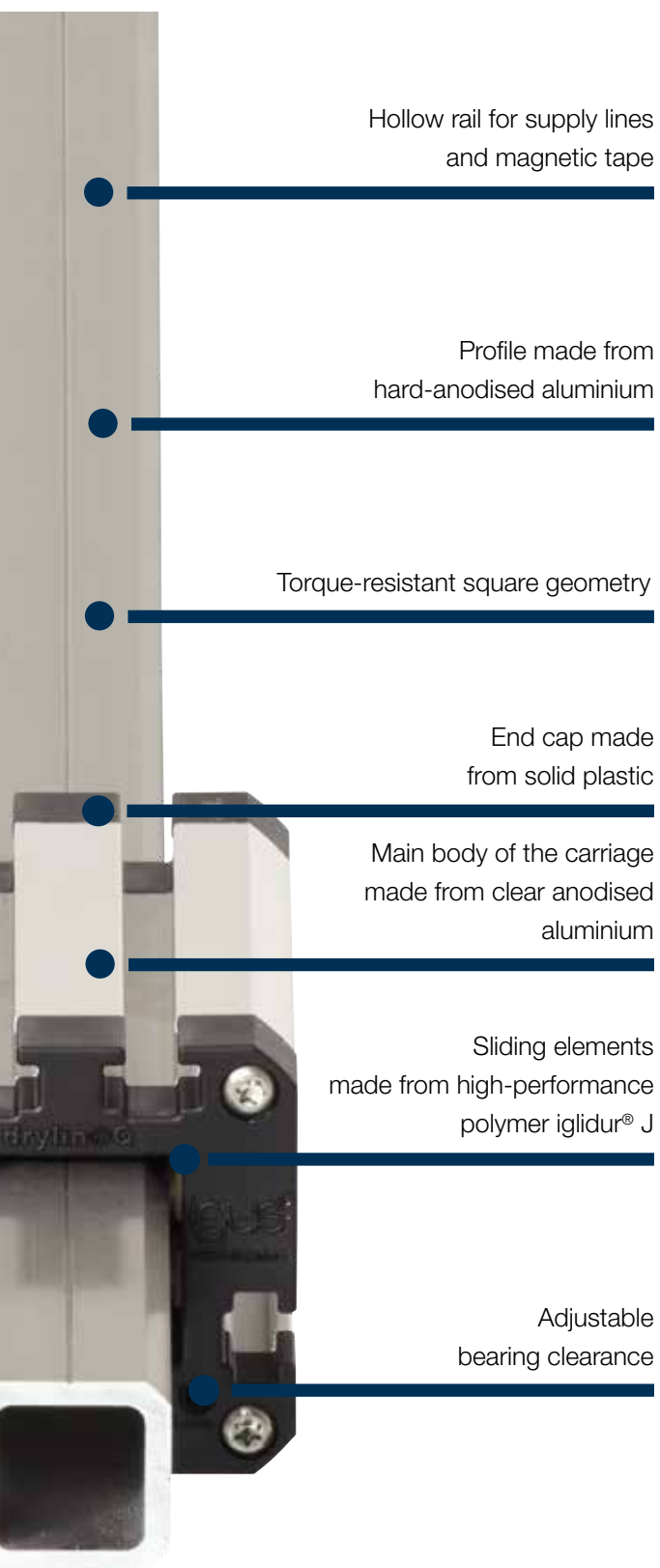
Square section linear rail made from hard-anodised aluminium

Apply moments up to 10 Nm

Adjustable linear carriage with or without manual clamp

Lubrication-free and lightweight





Lubrication-free square linear guides - drylin® Q

Linear movement with torque resistance, completely lubrication-free. The drylin® Q linear system offers the user maximum flexibility in the design. Individual housing options such as solid plastic bearings or adjustable housings with or without manual clamp are available. Due to the hollow design, the robust hard-anodised aluminium profile is very light and is suitable for the installation of supply cables. Options for mounting are extensive, among others, using slot nuts; installation size 20 can also be combined with all 20/20 aluminium profiles.

- 100 % lubrication-free
- Torque-resistant
- Adjustable bearing clearance
- Absorption of force from all directions
- High resistance to dirt
- Low vibration and quiet
- Numerous mounting options

Typical application areas

- Mechanical engineering
- Woodworking industry
- Machine tools
- Handling

Available from stock
Detailed information about delivery time online.

Price breaks online
No minimum order value. No minimum order quantity

Max. +90°C
Min. -40°C

3 installation sizes (10/12/20)
Rail length: 1,500/3,000mm

Technical details on floating bearings, 2:1 Rule, tightening torque for drylin® metallic screws ▶ Page 50



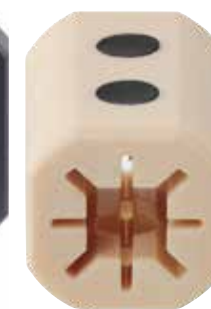
Square section linear rails

- Material: aluminium, hard-anodised
 - Lightweight and corrosion-resistant
 - Hollow rail design for cables to feed-through
- ▶ Page 292



Linear carriage

- Unsupported carriage version with/without manual clamp
 - Numerous fastening options on all sides via slot nuts
 - Bearing clearance adjustable
- ▶ Page 293



Bearing housing

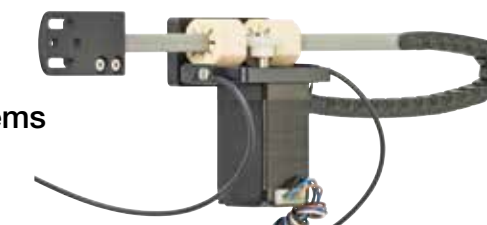
- Enclosed anodised aluminium housing
 - Apply moments up to 3Nm (size 10), 10Nm (size 20)
 - Torque-resistant sliding elements made from iglidur® J
- ▶ Page 295

Sliding plates for clearance adjustment

- Tolerance compensation for profiles, including columns
 - Adjustment mechanism included
 - Easy assembly
- ▶ Page 299



Measuring systems
drylin® QKM
▶ Page 301



Cantilever axis
drylin® GRQ miniature linear module
▶ Page 597

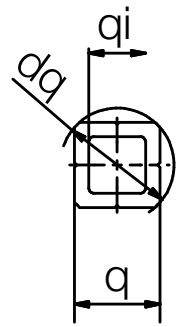
Order key

Type	Size	Option
------	------	--------

AWM Q - 10 - 1000

Aluminium shaft	Metric	Square design	Installation size	Length [mm]
-----------------	--------	---------------	-------------------	-------------

Minimum saw lengths
▶ Page 47



Dimensions [mm]

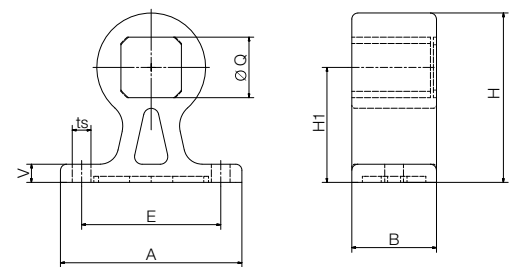
Part No.	Weight [kg/m]	q	dq	qi	Max. length
AWMQ-10	0.082	7.5	10	5	1,500
AWMQ-12	0.193	12	16	8.5	1,500
AWMQ-20	0.46	20	25	15	3,000

Accessories

Shaft end supports made from plastic



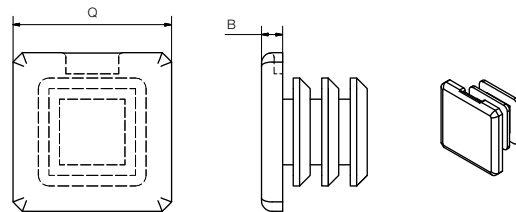
- Cost-effective mounting option
- Can also be used as floating bearing



Dimensions [mm]

Part No.	A	H	B	Q	H1	E	ts	V
STZ-Q10-01-FL	30	21	14	7.5	14	20	3.3	3
STZ-Q20-01-FL	60	56	28	20	38	46	6.2	6

End caps for square section linear rail



Dimensions [mm]

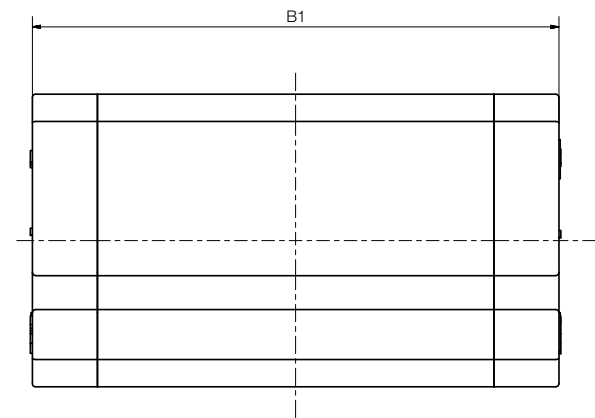
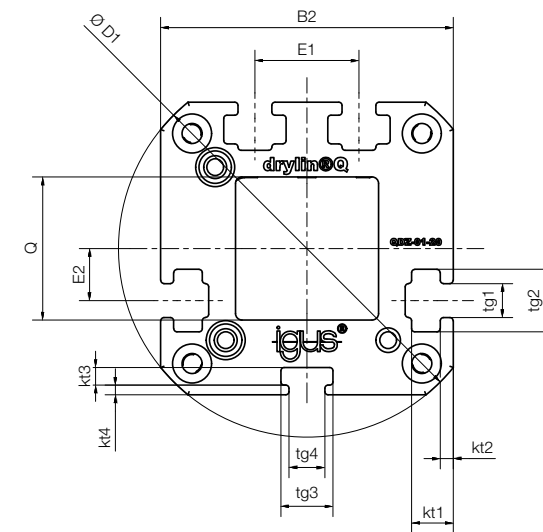
Part No.	Q	B
STZ-Q10-01-C	7.5	1
STZ-Q20-01-C	20	5

Order key

Type	Size
------	------

QWE - 01 - 20

Square	Linear carriage	Adjustable	Standard design	Installation size
--------	-----------------	------------	-----------------	-------------------



Dimensions [mm]

Part No.	Weight [g]	M max. [Nm]	B1	B2	D1	Q	E1	E2	tg1	tg2	tg3	tg4	kt1	kt2	kt3	kt4
QWE-01-12	110	5	80	34	44	12	12	6	5.5	8	8	-	-	-	3	1.25
QWE-01-20	210	10	81	45	58	20	16	8	5.5	9.6	8	5.5	6.4	2	2.7	1.5

Accessories: Slot nuts

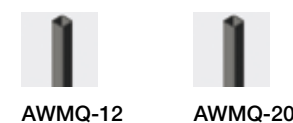


Slot nuts offers attachment options (for example sensors) on four sides of the housing. 8 pieces are included in the delivery of a QWE carriage.

Part No.: **NOR-20615** for QWE-01-12

Part No.: **NOR-20602** for QWE-01-20

Can be combined with:



EN 09/2023

EN 09/2023

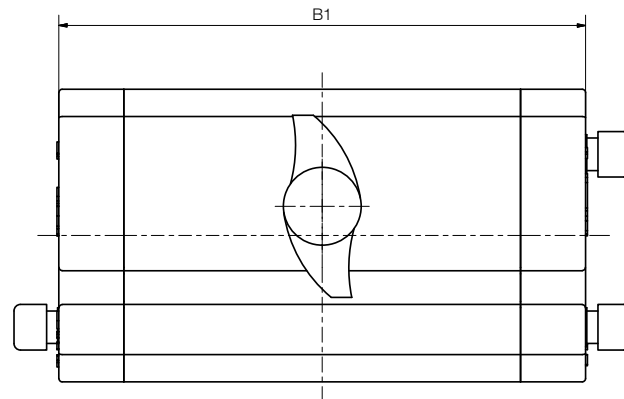
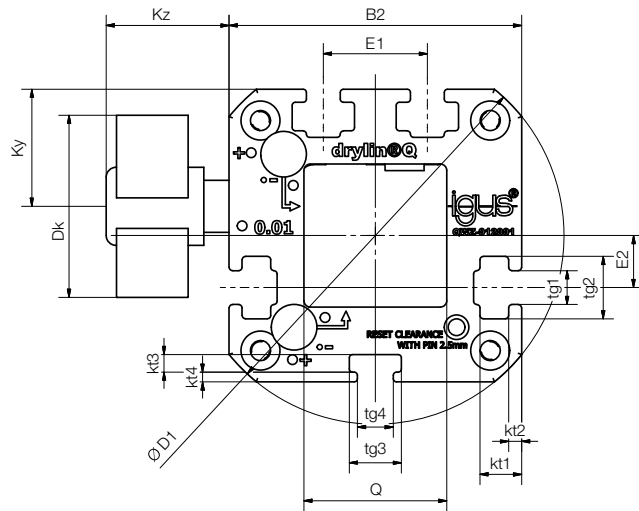


Order key

Type	Size	Options
------	------	---------

Q W E - 01 - 20 - HKA

Square	Linear carriage	Adjustable	Standard design	Installation size	Manual clamp
--------	-----------------	------------	-----------------	-------------------	--------------



Dimensions [mm]

Part No.	Weight [g]	M max. [Nm]	B1	B2 h7	D1	Q	E1	E2	tg1	tg2	tg3	tg4
QWE-01-12-HKA	-	-	80	34	44	12	12	6	5.5	8	8	-
QWE-01-20-HKA	215	10	81	45	58	20	16	8	5.2	9.6	8	5.5

Part No.	kt1	kt2	kt3	kt4	Dk	Ky	Kz
QWE-01-12-HKA	-	-	3	1.25	18	14	19
QWE-01-20-HKA	6.4	2	2.7	1.5	28	18	19

i The manual clamp was developed for simple tasks. The creep behaviour of the clamped plastic causes a reduction in clamping force over time (up to 70%). so no safety-relevant parts should be clamped. Please contact our technical consultant, if you require other options for the clamping.

Can be combined with:



AWMQ-20

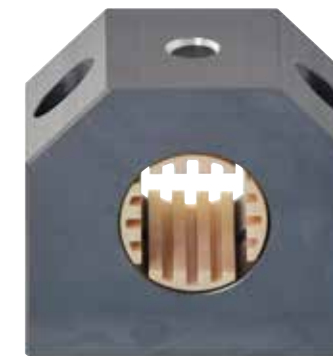


Order key

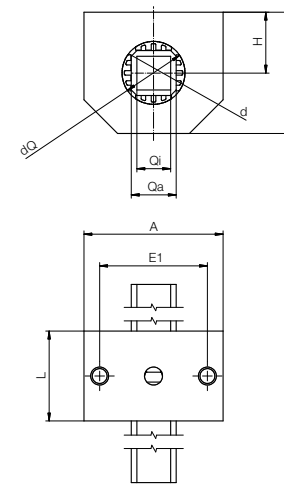
Type	Size
------	------

Q J R M T - 05 - 20

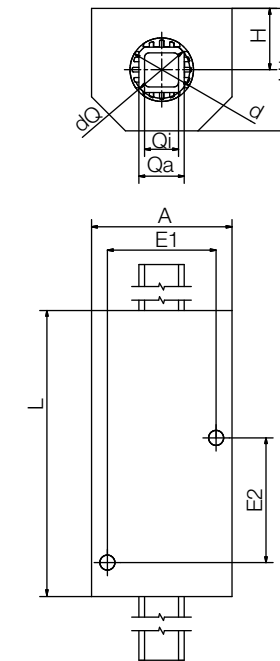
Square	iglidur® J	Closed design	Metric	Tandem (optional)	Compact design	Installation size
--------	------------	---------------	--------	-------------------	----------------	-------------------



QJRM-05-20



QJRM-05-20



Technical data [mm]

Part No.	Weight [kg]	Mx [Nm]	Surface pressure	
			dynamic [N]	static [N]
QJRM-05-20	0.25	5	1,500	10,500
QJRM-05-20	0.55	10	1,500	10,500

Dimensions [mm]

Part No.	A	H ±0.02	H1	dQ	Qa	Qi	E1 ±0.15	E2 ±0.15	d	L
							-	-		
QJRM-05-20	62	27	54	25	20	15	48	-	28	40
QJRM-05-20	62	27	54	25	20	15	48	55	28	85

Can be combined with:



AWMQ-20

With flange



QJFM-02-...

QJFMT-01-...



Order key

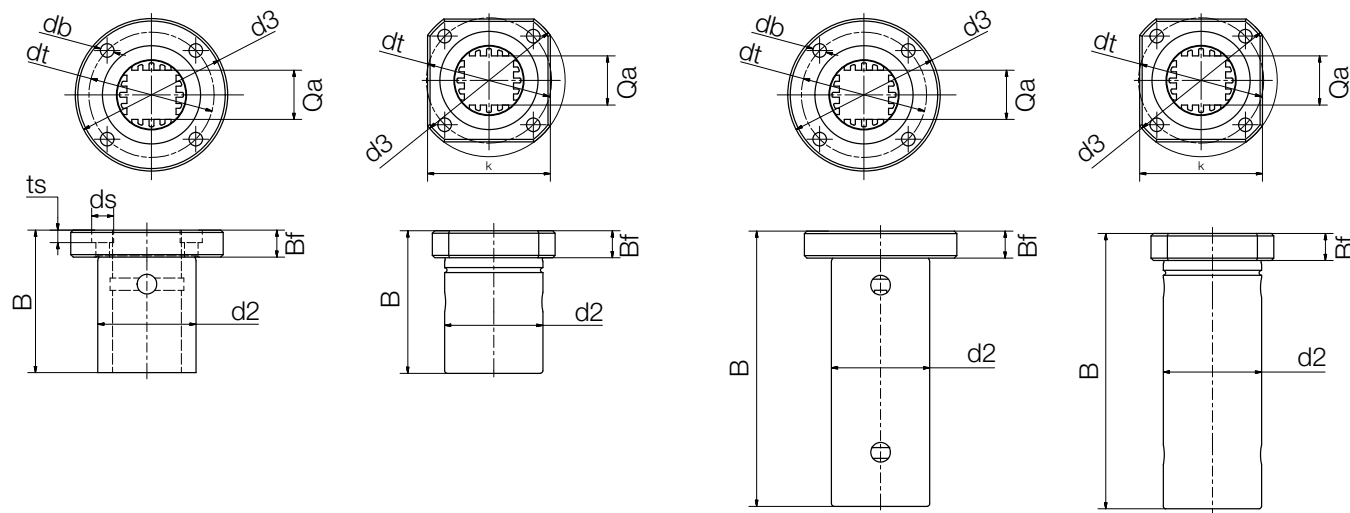
Type	Option	Size
Q J F M T - 02 - 10		
Square	iglidur® J	With flange
		Metric
		Tandem (optional)
Type		Installation size
		Options: 01 = Round flange 02 = Square flange

QJFM-01

QJFM-02

QJFMT-01

QJFMT-02

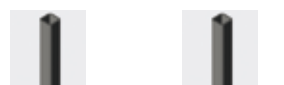


Technical data and dimensions [mm]

Part No.	Weight [kg]	Surface pressure		Mx [Nm]
		dynamic [N]	static [N]	
QJFM-01-20	0.14	1,500	10,500	5
QJFM-02-20	0.14	1,500	10,500	5
QJFMT-02-10	0.038	-	-	3
QJFMT-01-20	0.24	1,500	10,500	10
QJFMT-02-20	0.24	1,500	10,500	10

Part No.	k	d2 h7	Bf	Qa	d3 ±0.15	dt ±0.15	B	db	ds	ts
QJFM-01-20	-	40	11	20	62	51	58	5.5	9.0	5.1
QJFM-02-20	50	40	11	20	62	51	58	5.5	9.0	5.1
QJFMT-02-10	30	19	9	7.5	39	29	52	4.5	7.5	4.1
QJFMT-01-20	-	40	11	20	62	51	112	5.5	9.0	5.1
QJFMT-02-20	50	40	11	20	62	51	112	5.5	9.0	5.1

Can be combined with:



AWMQ-10

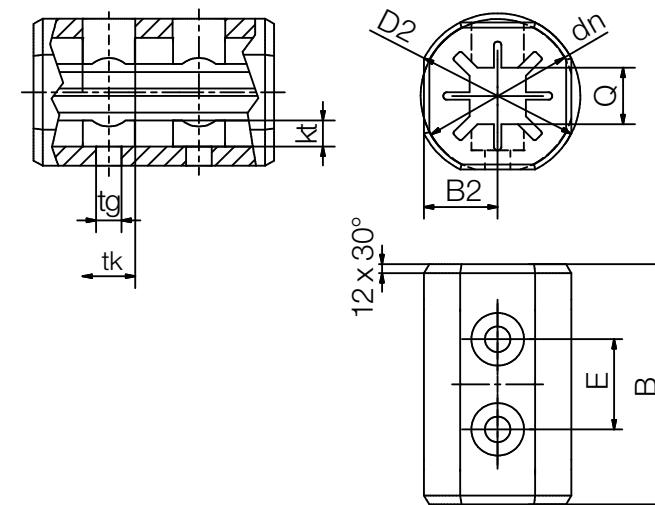
AWMQ-20

Q10 pillow block



Order key

Type	Size
Q J R M P - 01 - 10	
Square	iglidur® J
	Closed design
	Metric
	Solid plastic
	Standard design
	Installation size



Manual clamp available.
Suffix "-HKA"

Dimensions [mm]

Part No.	Weight [g]	M max. [Nm]	B	B2	D2	dn	E	Q	tk	tg	kt
QJRM P-01-10	11.3	3	32	9.8	22	22	12	7.5	6	3.4	3.5



Pipette unit equipped with drylin® Q square linear guide combined with drylin® GRW cantilever axis and NEMA stepper motor

Can be combined with:



AWMQ-10



- Hollow rail for supply lines (compressed air, cable)
- Small space requirement
- A host of possible applications

Single components



Adapter for flange shaft block

Part No.
STZ-Q10-AR-1012-16



Adapter kit e.g. for grippers/sensors

Part No.
STZ-Q10-01-AM



Shaft end supports made from plastic

Part No.
STZ-Q10-01-FL
STZ-Q10-01-LL



Chain connection for e-chain® E2 micro

Part No.
STZ-Q10-01-AC-E2



End caps for square-section linear rail

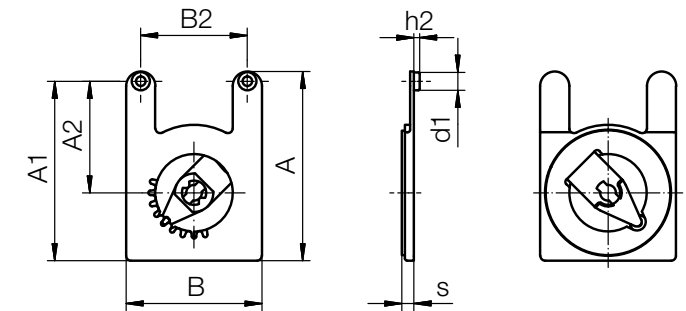
Part No.
STZ-Q10-01-C
STZ-Q20-01-C



- Clearance-reduced guidance of the lifting columns by adjustment mechanism
- Low-cost due to injection moulding
- Lightweight solid polymer solution
- Lubrication-free, wear-resistant, maintenance-free due to dry-tech® polymer iglidur® J
- Corrosion-resistant

Order key

Type	Option	Size
ASD J - 28 - 025		
Type	iglidur® J	
Width B		
Installation size		

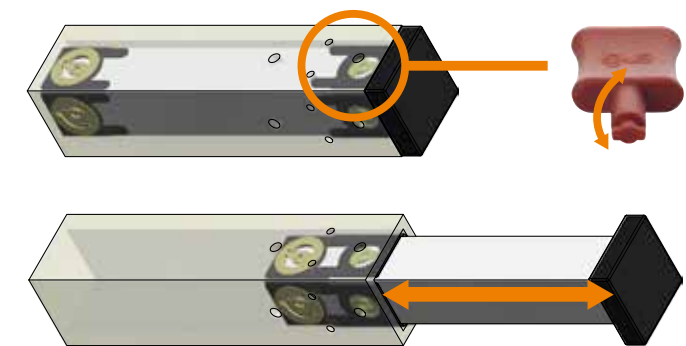


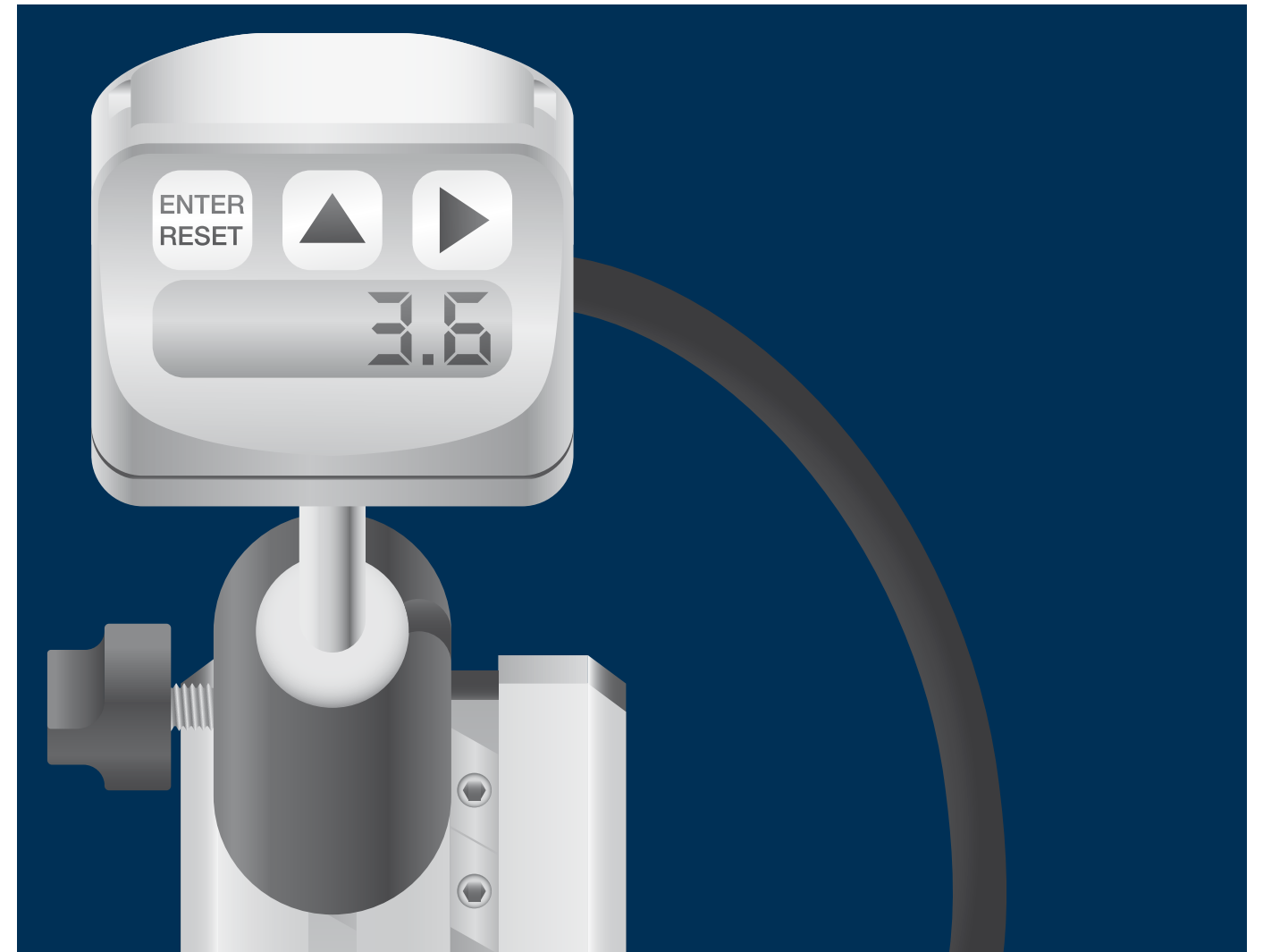
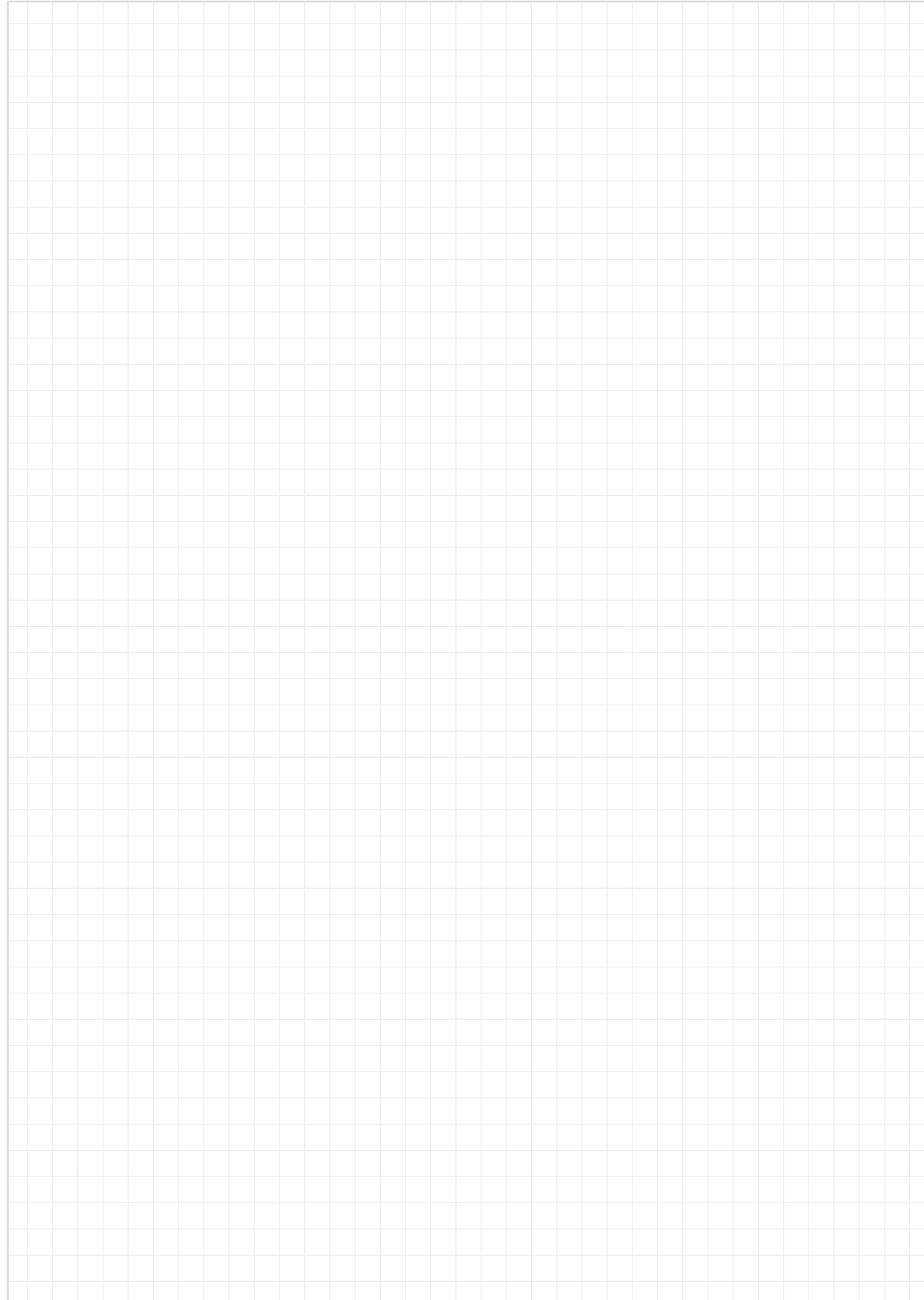
Dimensions [mm]

Part No.	Weight [g]	Øs		A	B	A1	A2	B2	d1	h2
		min.	max.							
ASDJ-28-025	1.9	2.2	2.8	39	28	37	23	±0.15	-0.1	±0.1



Adjustment key Part No.
ASDZ-012817





drylin[®] linear technology - digital measuring systems

Ready-to-install complete systems

**Sensor, measuring display, magnetic tape
included**

Battery operation

Ideal for positional stops

Operation without mains supply




Digital drylin® measuring systems


The drylin® measuring systems use magnetic tape with incremental measuring systems. The integrated battery ensures a service life of many years and enables almost absolute measurement. The sensor, measuring display and magnetic tape are integrated in lubrication-free drylin® W and Q linear guides. With customer-specific rail lengths, systems are supplied as ready-to-install linear modules. Typical application areas are format adjustments and mechanical stop adjustments.

- Simple installation
- Easy to adjust
- Lubrication and maintenance-free
- Battery powered
- Unsupported use
- Optional:
 - Mounted rail -> measuring carriage moves
 - Mounted measuring rail -> rail moves


Typical application areas

- Format adjustments
- Bending machines
- Band saws
- Stop-dog positioning for profiles, frames, plates, tubes, wood and bar stock

 **Available from stock**
Detailed information about delivery time online.

 **Price breaks online**
No minimum order value. No minimum order quantity

 **Max. +70°C**
Min. -10°C

 **Carriage widths: 45 - 134mm**
Rail length: up to 4,000mm

Hard-anodised drylin® aluminium profiles

Suitable for aluminium design profiles

Delivered ready to install

LCD display with battery

Carriages with internal or external display

Lubrication-free drylin® linear guides with or without a drive

Rails fixed or mobile

Freely selectable rails lengths

A magnetic tape is used for reference



drylin® Q for unsupported structures

- Carriage with integrated measuring sensor
- With fixed or flexible adjustable display
- Protected magnetic tape

► Page 306



drylin® W with digital measuring display

- Max. rail length up to 4,000mm
- Measuring display attached to the side of the carriage
- Lubrication-free adjusting of the carriage

► Page 308



drylin® W with external measuring display

- Carriage with integrated sensor
- Flexible positioning of the measuring sensor
- Including manual clamp

► Page 309



drylin® SLW with integrated measuring sensor

- Driven by trapezoidal thread
- Programmable display
- Positioning can be freely adjusted and locked

► Page 307



drylin® W with fixed measuring display

- Max. rail length: up to 2,000mm
- Measuring display fixed in place
- Moving rail with stationary carriage

► Page 308



drylin® W for external data output

- Variable sensor type, output power and cable length
- Cable guide and protection through igus® e-chain®
- 1 and 4 edge triggering

► Page 310

Stop motion measuring system with rail scale

- econ measuring system based on drylin® pre-load prism slide
- Carriages with individually adjustable pre-load in 4 different strengths
- Including scaling on the rail

► Page 311

Measuring display for series SLWM/QKM



Properties	
Measuring principle	Incremental, with zero function
Display	LCD display 7.5mm high digits
Display accuracy	Max. 0.1mm
Display/display area	-99999 ... +99999
Function	Digit direction, decimal point, unit of measurement (mm, imperial), preset activation
Power supply	Battery 1/2 AA, 3.6V integrated, service life of up to 4 years
Magnetic sensor	Securely connected (external)
Type	Installation housing
Housing	Polymer
Protection class	IP54 display IP67 sensor
Working temperature	0...+50°C
Humidity	35-85%
Speed	Max. 2.5m/s
Display keyboard	3 function buttons

Measuring displays for series WKM2/WKMEDR



Properties	
Measuring principle	Incremental, with absolute value function
Display	Low power LCD with integrated sensor, quasi absolute, battery operated
Display accuracy	Max. 0.1mm
Repeatability	± 1 digit
Display/display area	-99999 ... +99999
Function	Freely programmable, e.g. parameter, resolution or offset
Resolution	0.01 0.05 0.1 1mm 0.001, 0.01 inch Freely programmable angled display
Keys	3 keys, membrane keypad
Power supply	Battery integrated, service life of up to 10 years
Magnetic sensor	Securely connected
Reading distance	≤ 1.5mm integrated sensor ≤ 2mm external Sensor
Type	Installation housing
Housing	Zinc die-casting
Protection class	IP20 overall device IP60 display page
Working temperature	0...+60°C
Humidity	≤ 95% rel. humidity, condensation not permissible
Speed	≤ 10m/s
EMC	EN61000-6-2 interference immunity / immission EN 61326-1 emitted interference / emission (class B)

Length measuring system WKMEK

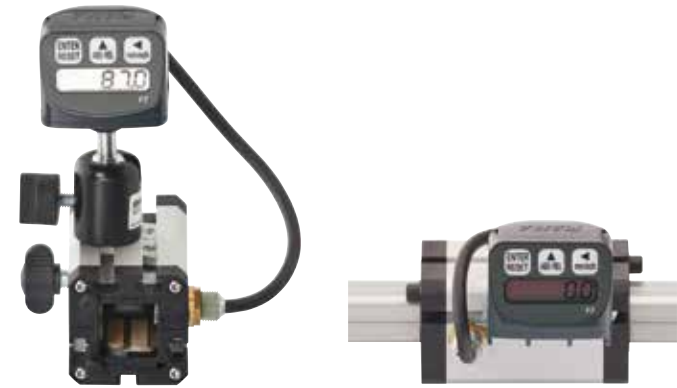


Properties	
Measuring principle	Incremental
Repeatability	± 0.025mm
Measuring principle	Linear
Pole division	5mm
Sensor housing	Zinc die-casting
Protection class	IP67
Application temperature	-10 ... +70°C
Bearing temperature	-25 ... +85°C
Max. humidity	95%, non-condensing
Max. travel speed	4.0m/s
VDC power supply	5 VDC or 10... 30 VDC
Current draw	5 VDC: Max. 200mA 30 VDC: Max. 150mA
Evaluation electronics	Sensor with integrated evaluation electronics and index impulse
Output power	5 V-TTL line driver or 10.. 30 V_HTL
Source tracks	A, A', B, B', Z, Z'
Max. cable length	Max. cable length 5V/5V-TTL: 10m 10-30V/10-30V: 30m 10-30V/5V-TTL: 50m
Max. permissible distance from magnetic tape	2.0mm
Connection method	Open cable ends

Magnetic tape for measuring display WKM



Properties	
Encoding	Incremental, single-track system
Basic pole division	5mm pole division
Band width	10mm
Operating temperature, processed	0° ... +60°C
Tape structure	Magnetic tape stuck on with adhesive tape
External magnetic influence	External magnetic fields on the magnetic tape surface must not exceed 64mT (6400e; 52KA/m) as this can damage or destroy the magnetic tape encoding
Protection class	Carrier tape, stainless steel (optional)



Order key

Type	Option	Size
------	--------	------

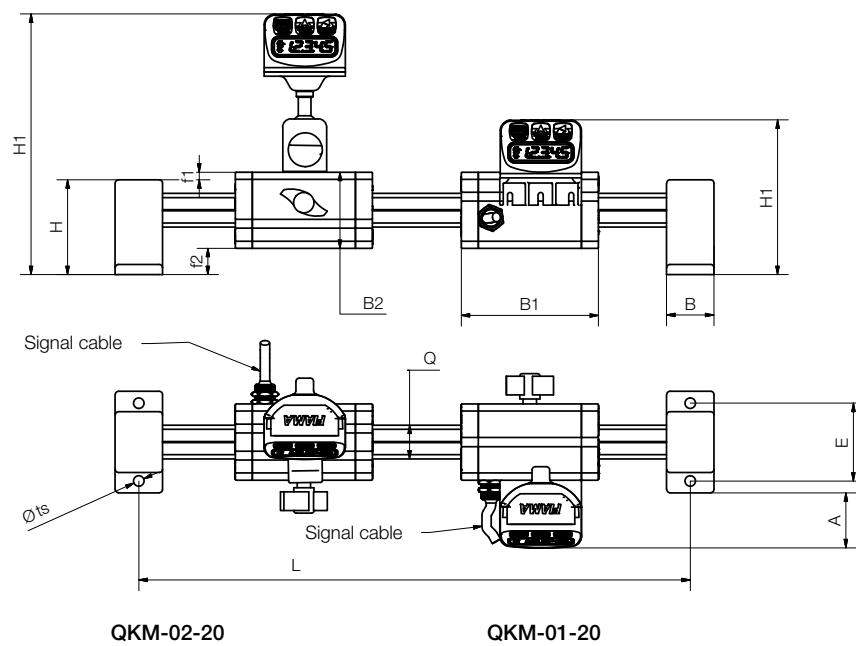
Q K M- 01 -20

Square	Measuring system	Metric	Carriage type	Installation size
--------	------------------	--------	---------------	-------------------

Options:

- 01: Display flexible with angle joint
- 02: Display fixed in place

- Protected magnetic tape
- Attachment options using slot nuts
- Manual clamp on carriage
- Unsupported attachment
- Profile AWMQ-20 max. Length 1,500mm
- Sensor integrated in the carriage, saving space
- Technical data ► Page 304



Dimensions [mm]

Part No.	M max. [Nm]	L Shaft end support + carriage + stroke	B h7	B1	B2	H	H1	E	Q	ts	f1	f2	A
QKM-01-20	10	28 + 94 + stroke	28	94	45	58	155	46	20	6.2	4.5	15.5	33
QKM-02-20	10	28 + 94 + stroke	28	94	45	58	92	46	20	6.2	4.5	15.5	33



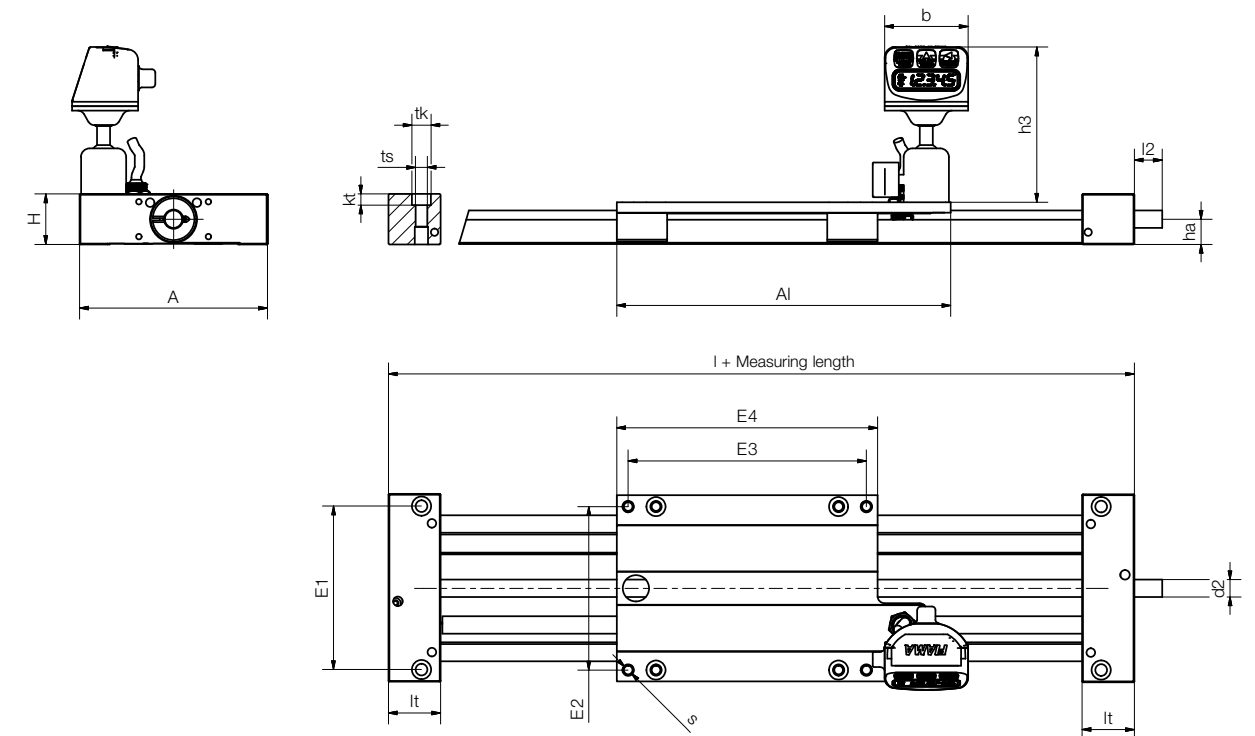
Order key

Type	Size
------	------

SLW M-1080

drylin® SLW linear module	Measuring system	Installation size SLW linear module
------------------------------	------------------	--

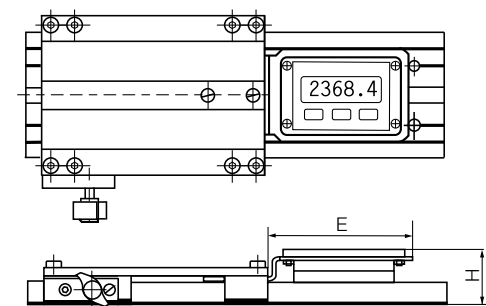
- Space-saving sensor integrated in the carriage
- Operation without mains supply
- Integrated magnetic tape
- Extensive accessories available
- Technical data ► Page 304
- Technical data drylin® linear module SLW
► Page 538



Dimensions [mm]

Part No.	A	AI	H	E1	E2	E3	E4	I	I2	It	tk	kt	ts	Øs	ha	d2	h3	b
SLWM-1080	108	192	29	94	94	137	150	236	17	22	11	6.4	6.8	6.6	14.5	Tr10x2	90	50

WKM2, series 10 and 20



Order key

Type	Design
------	--------

WKM2-10-80-15-01-R

drylin® W measuring system	Installation size	Rail width	Carriage length	Number of carriages	Display right-mounted
----------------------------	-------------------	------------	-----------------	---------------------	-----------------------

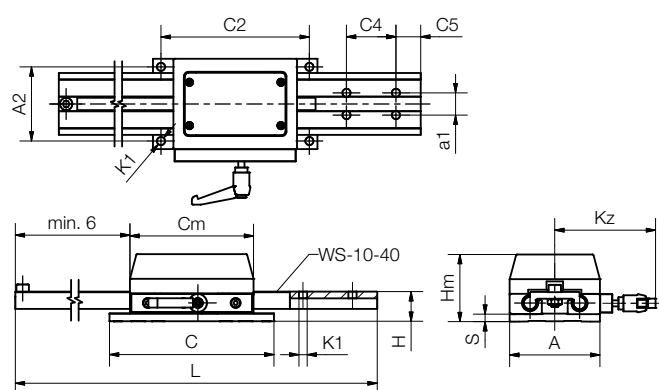
- Lockable carriage
- Display optionally to the right (R) or left (L) of the guide carriage
- Max. rail length 4,000mm (effective measuring length max. 3,757mm)
- Technical data ► Page 305

Dimensions [mm]

Part No.	drylin® rail profile ⁸⁹⁾	H	E
WKM2-10-80-15-01-L	WS-10-80	36	93
WKM2-10-80-15-01-R	WS-10-80	36	93
WKM2-20-80-15-01-L	WS-20-80	40	93
WKM2-20-80-15-01-R	WS-20-80	40	93

⁸⁹⁾ Profile dimensions ► Page 46

WKM2, series 11



Dimensions [mm]

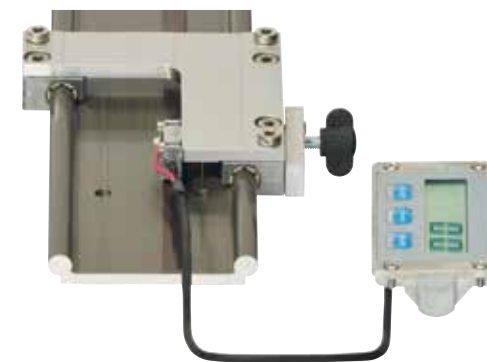
Part No.	L	C4	C5	a1	C2	A2	K1	C	A	H	S	Cm	Hm	kz
WKM2-11-40	max. 2,000	40	20	18	120	60	6.6	133	73	24	6	100	54	82

Order key

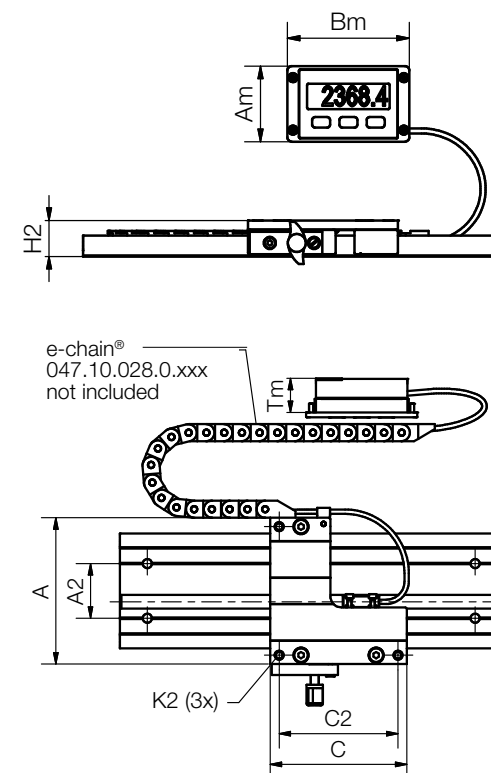
Type	Size
------	------

WKMED R-10-80-10-0.3-01-2400

drylin® W measuring system	External Display	Assembly right	Installation size	Rail width	Carriage length	Cable length ¹⁶⁵⁾	One measuring carriage per rail	Rail length [mm]
----------------------------	------------------	----------------	-------------------	------------	-----------------	------------------------------	---------------------------------	------------------



- Technical data ► Page 304



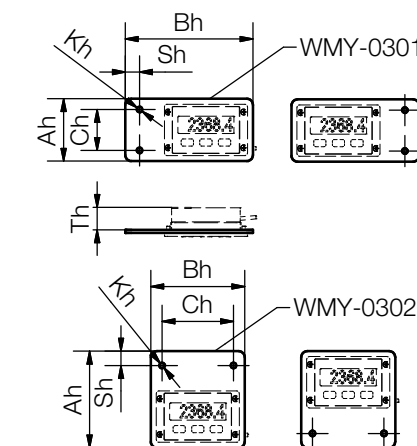
Options:

R: Assembly to the right of the guide carriage

L: Assembly to the left of the guide carriage

¹⁶⁵⁾ Cable length:

Cable length between sensor and display [m]
(0.1/0.2/0.3 up to max. 2.0)



Assembly options of the external display

Dimensions [mm]

Part No.	A	C	A2	C2	K2	H2	Am	Bm	Tm
WKMED-□ ⁹⁰⁾ -10-80-10	107	100	94	87	M6	±0.17 24	82	51	25
WKMED-□ ²⁹⁰⁾ -10-80-10	107	100	94	87	M6	24	82	51	25

⁹⁰⁾ Suitable for assembly on the right (R) or left (L)

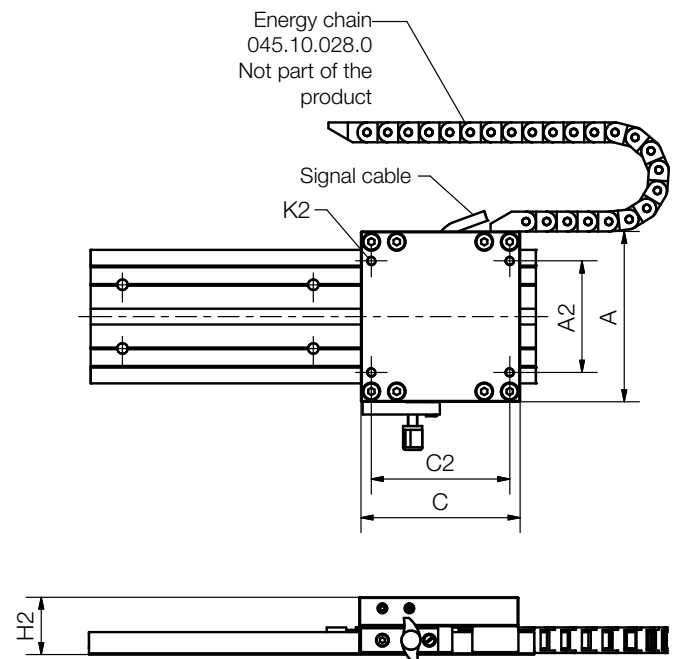
Bracket dimensions [mm]

Part No.	Ah	Bh	Ch	Sh	Kh	Th
WMY-0301	61	125	40	14	ø5.4	22
WMY-0302	94.5	92	70	14	ø5.4	22

Order key

Type Size/Design
WKMEX-10-80-10-2.5-00-01-1000

drylin® W measuring system	External data output	Installation size (shaft Ø)	Rail width	Rail length 100mm	Cable length [m]	Sensor version	Number of carriages	Rail length [mm]
----------------------------	----------------------	-----------------------------	------------	-------------------	------------------	----------------	---------------------	------------------



- At 4 edge triggering (setting parameters of the display or control system, for example IW4) and +20°C ambient temperature:
resolution: $\pm(0.025 + 0.02 \cdot L)$ L = measurement length in metres; repeatability: $\pm 0.025\text{mm}$
- At 1 edge triggering (setting parameters of the display or control system, for example IW1) and +20°C ambient temperature:
resolution: $\pm(0.1 + 0.02 \cdot L)$ L = measurement length in metres; repeatability: $\pm 0.025\text{mm}$
- Small sensor with integrated evaluation electronics
- Output signals: push-pull continuous short-circuit proof with inverted signals (A, A/, B, B/, Z, Z/)
- Technical data ► Page 305

Dimensions [mm]

Part No.	H2	C	C2	A	A2	K2	Resolution
WKMEX-10-80	36	100	87	107	70	M6	0.1

Versions

Sensor version	Nominal voltage	Output power	Max. length of signal cable
00	10-30V	HTL 10-30V	30m
01	10-30V	TTL Line Driver	50m
11	5V	TTL Line Driver	10m

To place an order, please add the sensor type to the part number.

Order example: WKMEX-10-80-10-2.5-00

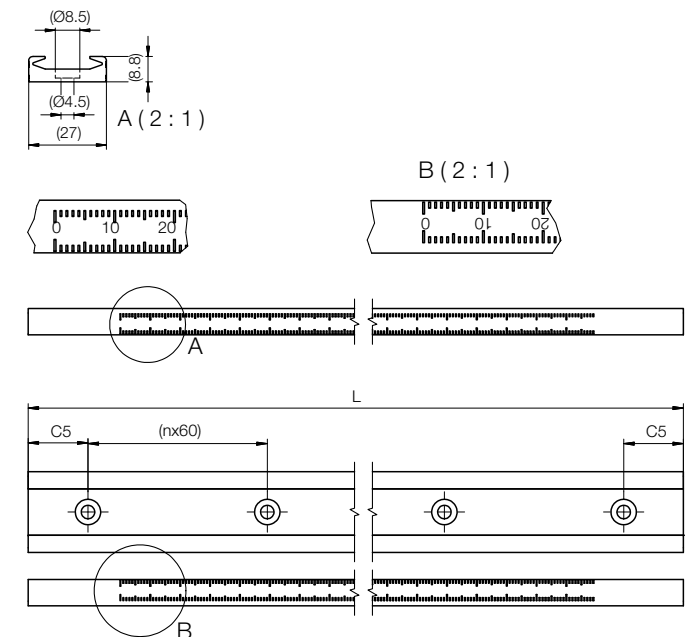
Order key

Type Size
NKV-27-MES-1000

drylin® pre-load prism slides	Installation size	Measuring system	Measuring length
-------------------------------	-------------------	------------------	------------------



- econ measuring system based on drylin® pre-load prism slide
- Carriages with individually adjustable pre-load in 4 different strengths
- Including scaling on the rail
- Cost-effective, durable, practical
- Guaranteed holding forces from 1.3N to 11.7N
- Due to stop motion pre-loading, the measuring system is suitable for vertical installation without any further clamping



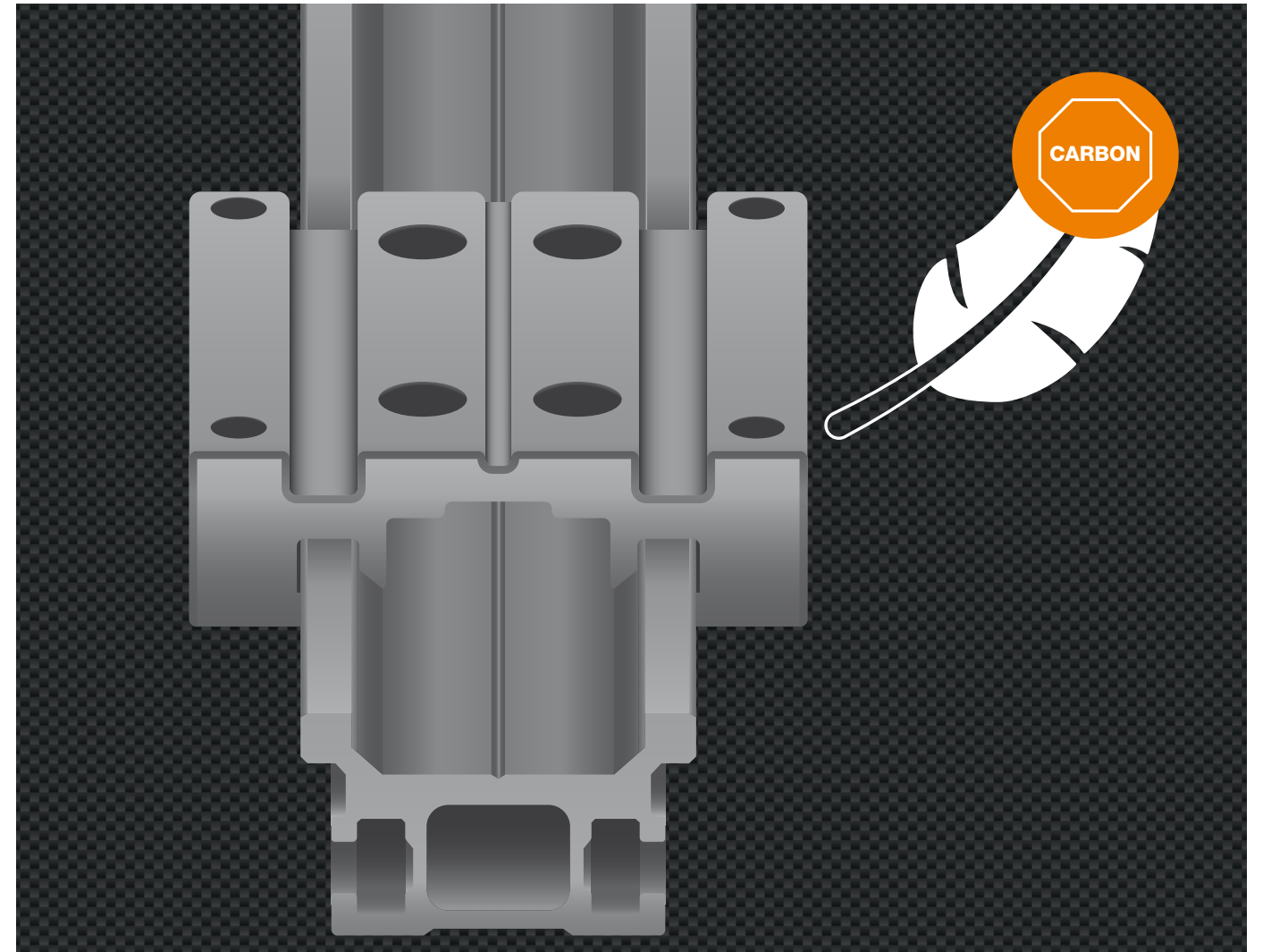
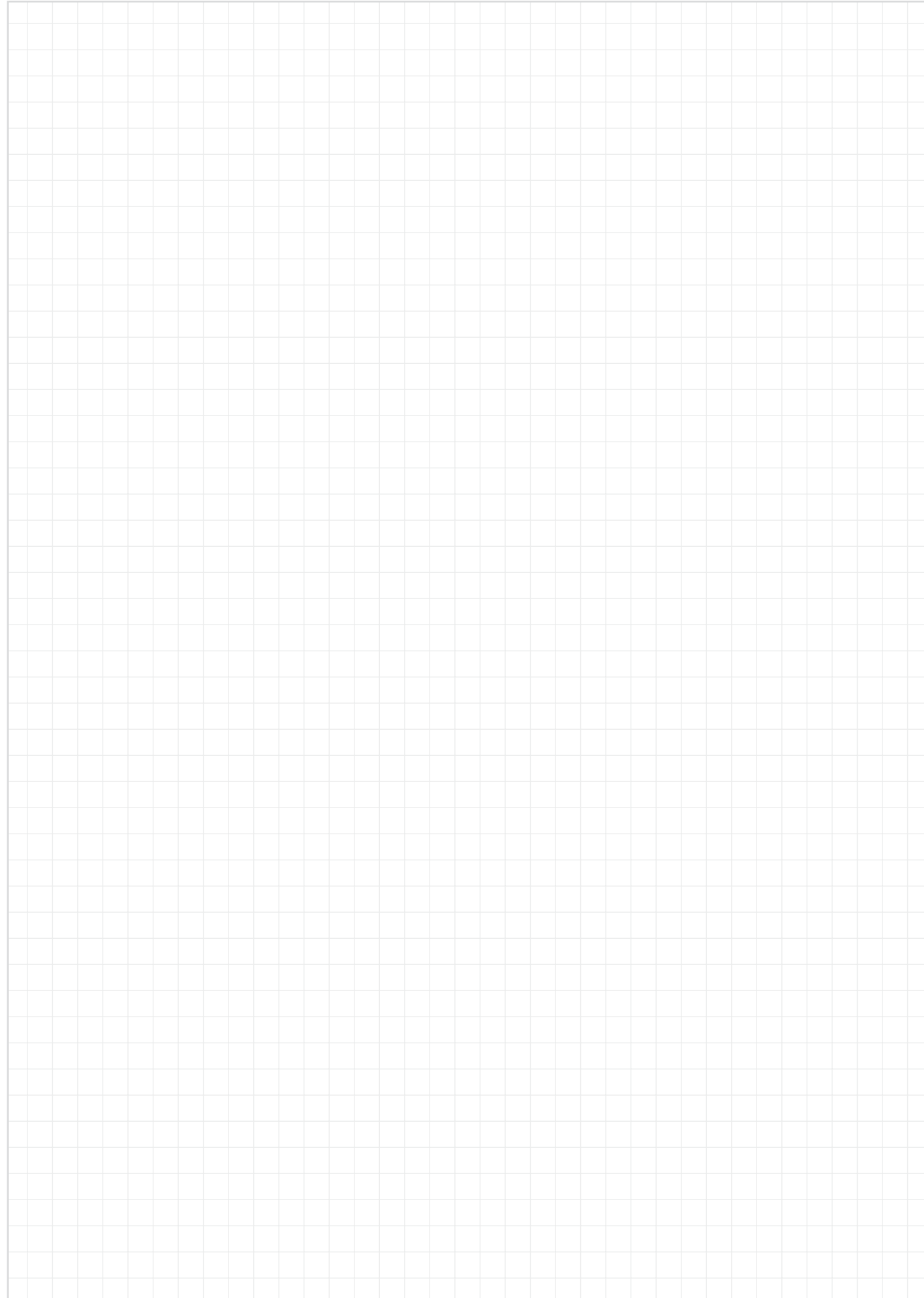
Dimensions [mm]

Part No.	A	AI	H	E1	E2	E3	L ¹⁴⁹⁾
	± 0.2	-0.1	± 0.2	± 0.15	± 0.15	± 0.15	
NKV-27-MES-1000	27	35/60	22	15	18	30	35/53/60/78
NKV-27-MES-2000	27	35/60	22	15	18	30	35/53/60/78

Part No.	hw	lt	lb	ts	tg	Average displacement force [N]	K1
	± 0.25	± 0.2					
NKV-27-MES-1000	22.5	20.5	5.5	3.5	M3	2 - 15	4.5
NKV-27-MES-2000	22.5	20.5	5.5	3.5	M3	2 - 15	4.5

¹⁴⁹⁾ Depends on selected variant

drylin® stop motion full product range online
► www.igus.eu/drylinstopmotion



drylin[®] linear technology - carbon fibre

Lightweight and robust

Non-metallic

Non-magnetic

X-ray transparent

Lubrication and maintenance-free



Extremely light and 100% lubrication-free


Extremely lightweight: drylin® carbon fibre


Extremely lightweight and yet extremely strong - tribologically optimised drylin® linear systems made from plastic and carbon fibre combine these properties. Whether as guide or linear axis: All systems are 100% lubrication and maintenance-free.


- Extremely lightweight
- Wear-resistant
- Tough and reliable
- Non-metallic
- Non-magnetic
- X-ray transparent

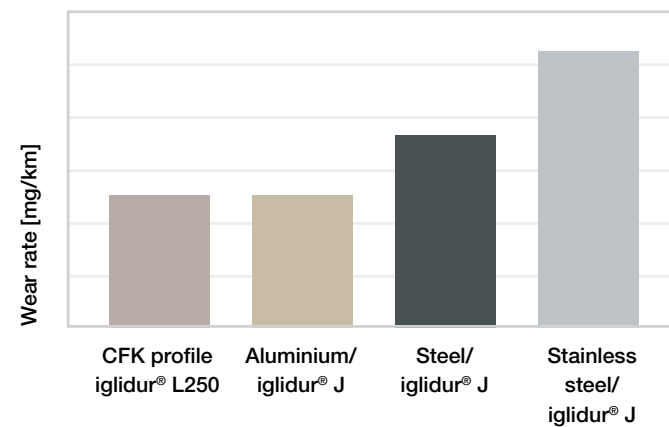
Typical application areas

- Aircraft interior
- Laboratory and medical technology
- Measuring technology

 **Available in 3-8 days**
Detailed information about delivery time online.

 **Price breaks online**
No minimum order value. No minimum order quantity

 **Max. +60°C**
Min. 0°C



High strength carbon made in pultrusion process

Tribologically optimised drylin® W rails made from carbon fibre

Solid plastic carriage made from lubrication-free iglidur® L250

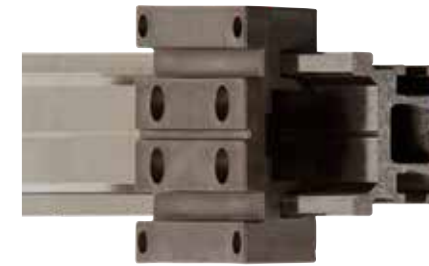
Extreme weight saving
25% lighter than aluminium
75% lighter than steel

Available as linear guide or with drive (lead screw/toothed belt)

High strength and resistant

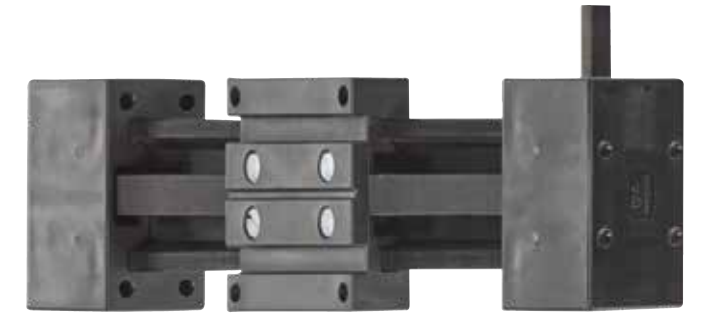
End block drive shaft supported with dry operating xiros® ball bearings with balls made of glass or plastic

Linear guides and modules made of solid plastic and carbon fibre



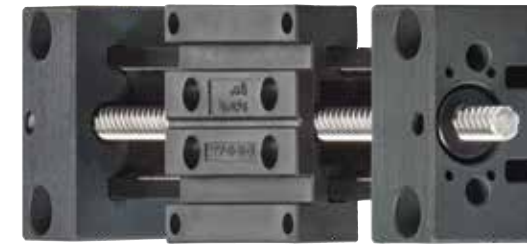
drylin® W linear guide made of carbon/solid plastic

- Extremely lightweight and strong carbon profile
 - Tribologically optimised
 - Solid plastic carriage made from iglidur® L250
- Page 316



drylin® ZLW toothed belt axis with carbon profile

- Absolutely non-metallic
 - Neoprene toothed belt drive with glass fibre reinforcement
 - Max. stroke length 1,000mm
- Page 317



drylin® SAW linear module made from carbon fibre

- drylin® W profile made of carbon fibre
 - Drive: Trapezoidal or high-helix lead screw
 - Lightest version with carbon, solid plastic, aluminium lead screw
- Page 318



drylin® SHTP linear module with round carbon fibre shafts

- Very lightweight due to carbon fibre hollow shafts and solid plastic
 - Ideal for multi-carriage solutions, also opposite
 - Configurable with accessories for manual and electric adjustment
- Page 319



drylin® CWM round shaft made from carbon fibre

- Very lightweight due to hollow shaft geometry
 - Hollow rail for supply lines
 - Surface UCU (unidirectional/cross-winding/ unidirectional)
- Page 320

drylin® W carbon fibre | Product range

Linear guide system - extremely lightweight and strong

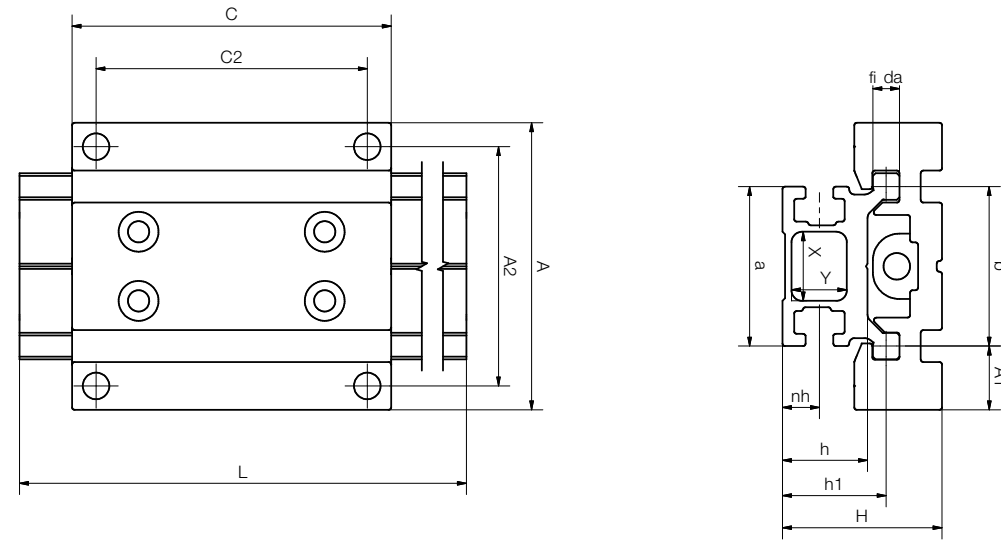


Order key
Complete system

Type Dimensions [mm]/Type

W K P C-06-30-06

drylin® W	Complete system	Polymer	Carbon	Shaft Ø	Rail width	Carriage length
-----------	-----------------	---------	--------	---------	------------	-----------------



Technical data - guide rail made from carbon

Part No.	Fmax. radial		Weight	ly	lz
	stat. [N]	dyn. [N]			
WSPC-06-30	300	60	410	30,391	11,674

Dimensions [mm] - guide profile made from carbon

Part No.	a	b	da	h	h1	nh	X	Y	L
WSPC-06-30	30	30	-0.1	16	19.5	7	13	10	3,000

Dimensions [mm] solid plastic guide carriage made from iglidur® polymer

Part No.	H	A1	A	A2	C	C2
WWPL-06-30-06	30	12	54	45	60	51

EN 09/2023



drylin® ZLW carbon fibre | Product range

Toothed belt axis - non-metallic



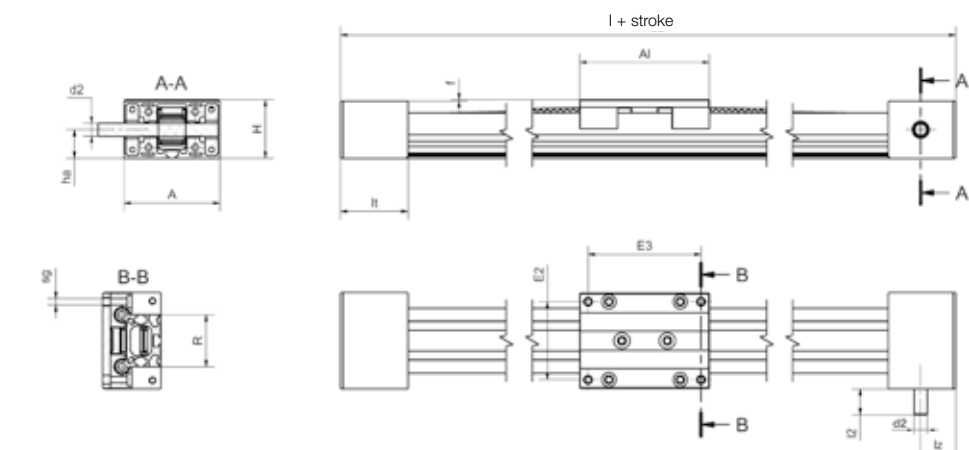
Order key

Type Dimensions [mm]/Type

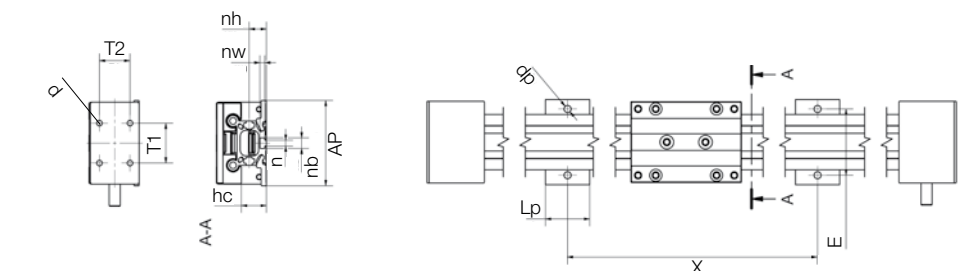
ZLW-06 30- P - 1000

Toothed belt axis	Shaft Ø	Rail width	Polymer	Stroke length
-------------------	---------	------------	---------	---------------

- Guide profile made from carbon
- Linear carriage made from iglidur® polymer



Connecting dimensions



Technical data

Part No.	Weight without stroke [kg]	Weight 100mm stroke [kg]	Max. stroke length [mm]	Transmission [mm/rev]	Tooth profile	Material	Drive belt	
							width [mm]	Tension [N]
Basic 02 P	0.3	0.08	1,000	54	HTD 3M	Neoprene with GF	9	25

Dimensions [mm]

Part No.	A	Al	H	E2	E3	I	R	f	lt	ha	lz	l2	d2
ZLW-0630-P	-0.3		31	±0.15	±0.15	144	±0.15	3	-0.3	14	20	20	h9

Connecting dimensions

Part No.	X	E	AP	Lp	dp	d	T1	T2
ZLW-0630-P	variable	±0.2	-1.0	15	5.5	3	±0.25	-0.3

EN 09/2023



drylin® SAW carbon fibre | Product range

Linear module with high profile carbon fibre - lightweight and robust



- Guide profile made from carbon
- Linear carriage made from iglidur® polymer

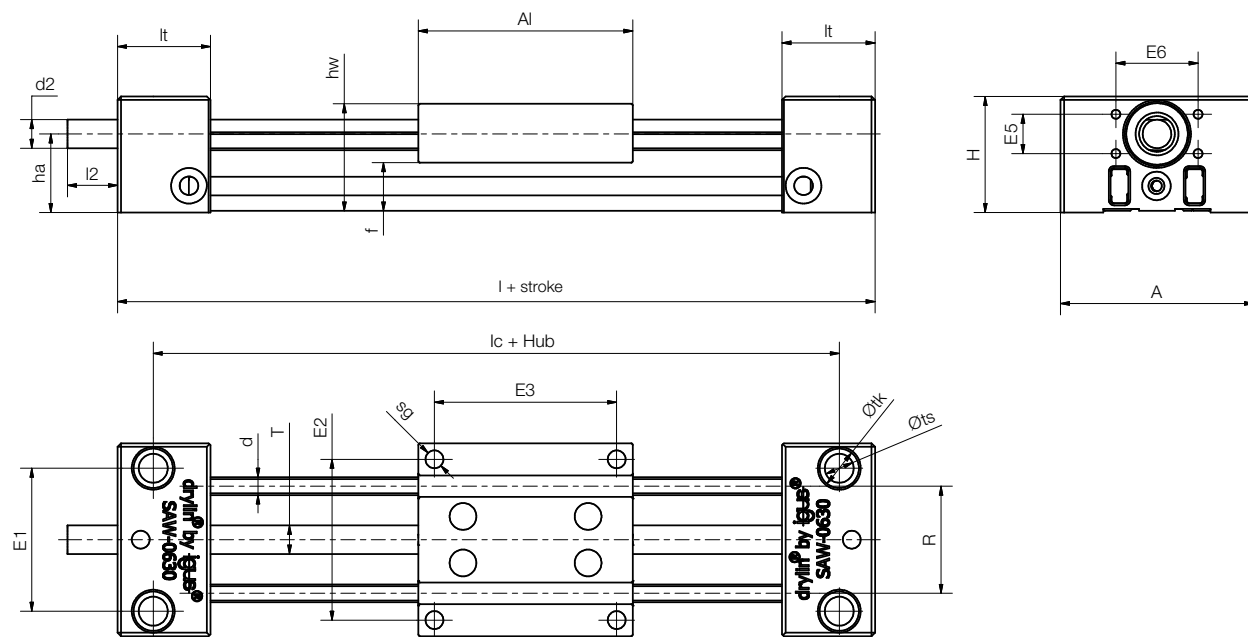


Order key
Complete system

Type	Dimensions [mm]/Type
------	----------------------

SAW-0630-P-1000

drylin® linear module	Shaft Ø	Rail width	Polymer	Stroke length
-----------------------	---------	------------	---------	---------------



Technical data

Part No.	Stroke length [mm]	Weight		Max. rotational speed [1/min]	Max. static load capacity	
		Standard [kg]	Additional per 100mm [kg]		axial [N]	radial [N]
SAW-0630-P-...	300	0.25	0.07	1,000	50	50

Dimensions [mm]

Part No.	A	Al	H	E1	E2	E3	E5	E6	I	lc	hw	f	lt
	-0.3			±0.15	±0.15	±0.15							±0.1
SAW-0630-P-...	54	60	32.5	40	45	51	11	23	112	92	80	13.5	26

Part No.	tk	ts	sg	d	T	I2	d2	ha
SAW-0630-P-...	11	6.6	5	□ 5	8	15	Tr8x1.5	22

drylin® SHTP carbon fibre | Product range

Linear module with carbon fibre hollow shafts - ideal for multi-carriage solutions



- Lead screws made from carbon
- Linear carriage made from iglidur® polymer

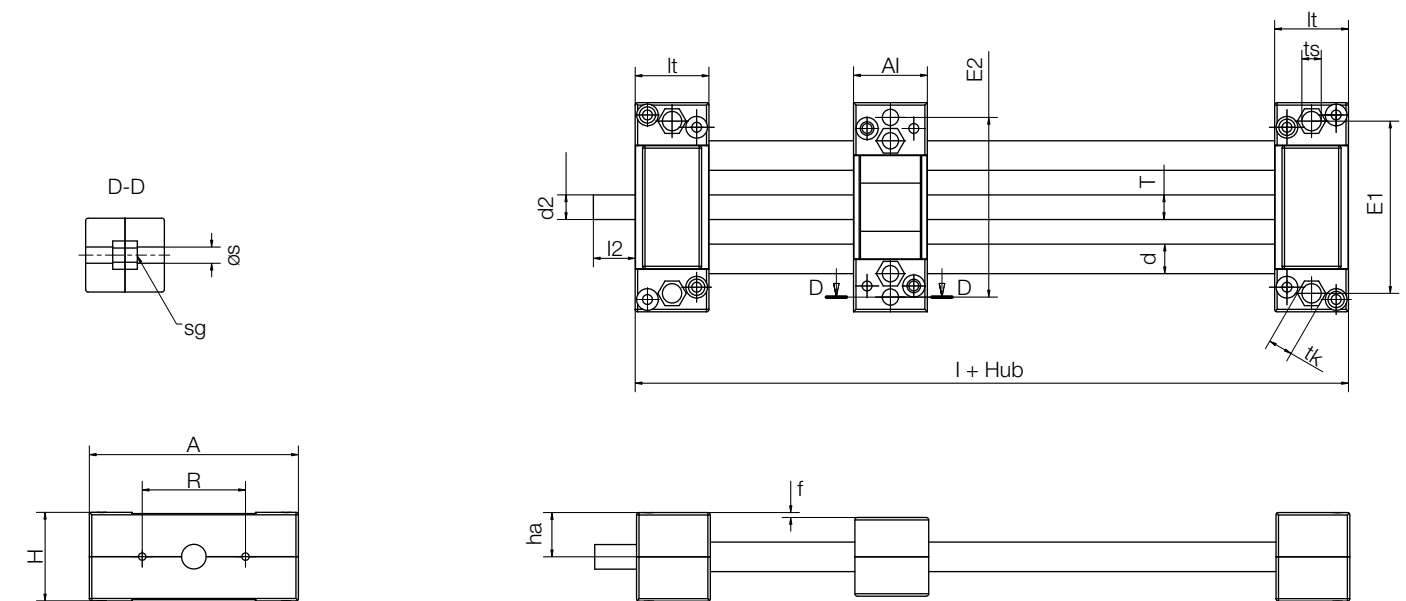


Order key
Complete system

Type	Dimensions [mm]/Type
------	----------------------

SHT P - 01-12-CWM

Linear module	Polymer	Design	Dimension	Carbon fibre shaft
---------------	---------	--------	-----------	--------------------



Technical data

Part No.	Max. stroke length [mm]	Carbon fibre shaft		More information
		Weight [kg]	additional [kg] (per 100mm)	
SHTP-01-12-CWM	500	0.3	0.06	Drive nut and linear bearings made from iglidur® J
SHTP-02-12-CWM	500	0.3	0.06	Bearing and nut integrated into the carriage

Dimensions [mm]

Part No.	A	Al	H	E1	E2	I	R	f	lt	tk	ts
									±0.1		+0.15
SHTP-01-12-CWM	85	30	36	70	73	90	42	2	30	10	6.0
SHTP-02-12-CWM	85	30	36	70	73	90	42	2	30	10	6.0

Part No.	Øs	sg	d	T	I2	d2 ⁹⁹⁾	ha	Max. static load capacity	
								axial [N]	radial [N]
SHTP-01-12-CWM	6.3	M6	12	Tr10x2	17	Tr10x2	18	100	100
SHTP-02-12-CWM	6.3	M6	12	Tr10x2	17	Tr10x2	18	100	100

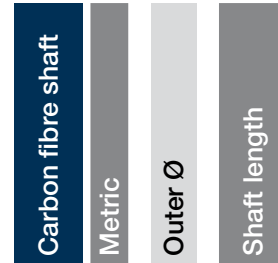
⁹⁹⁾ Lead screw end unmachined (standard)



Order key

Type Dimensions [mm]

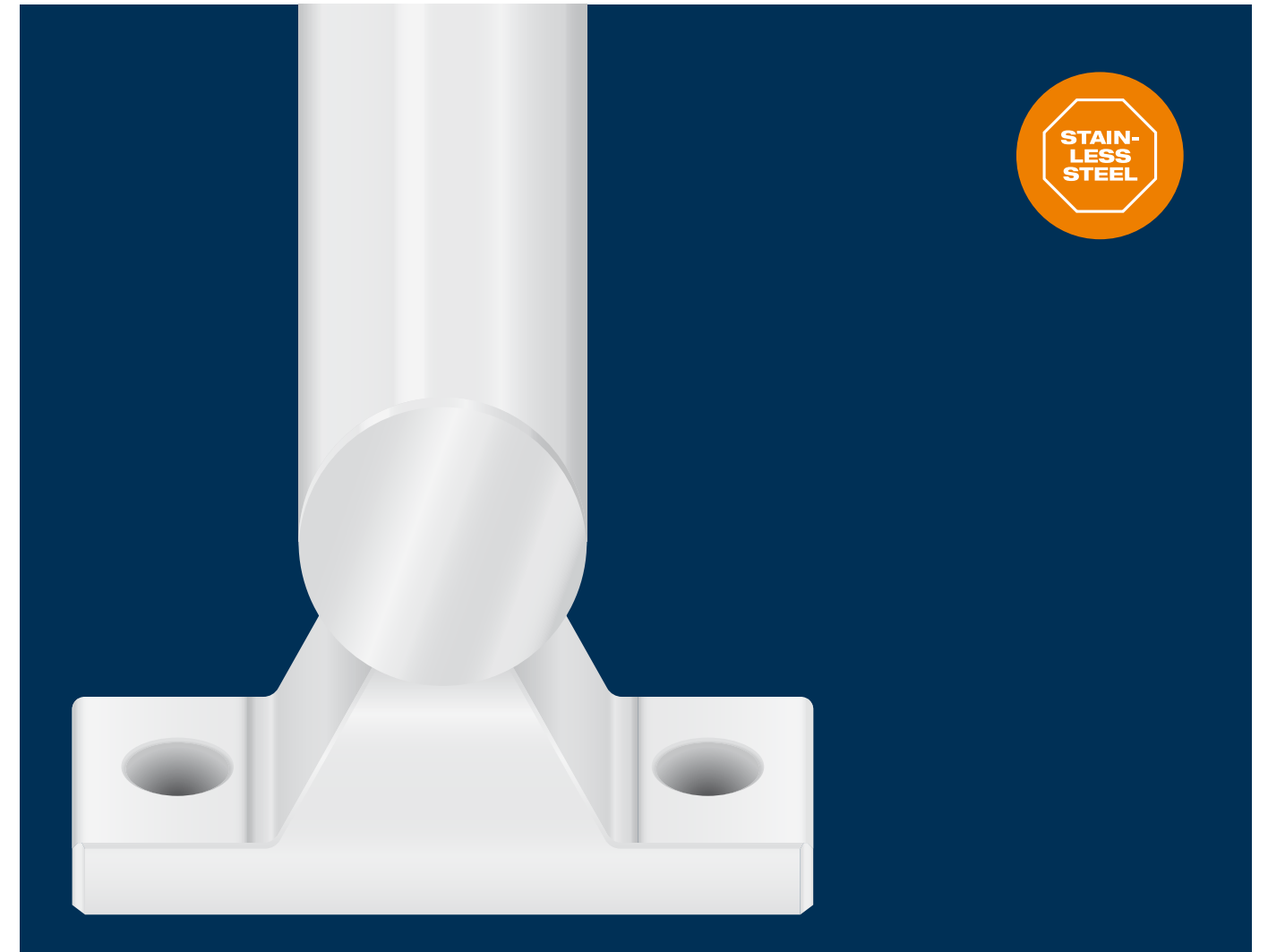
CW M-12-300



- Material: CFK composite
- Roundness tolerance: $\pm 0.05\text{mm}$
- Diameter tolerance: -0.1mm
- Application temperature: Max. $+80^\circ\text{C}$

Dimensions [mm]

Part No.	Design	Diameter -0.1	Max. length	Weight [g]
CWM-12	Hollow shaft	12/9	2,000	70
CWM-16	Hollow shaft	16/12.5	2,000	120
CWM-20	Hollow shaft	20/16	2,000	170
CWM-30	Hollow shaft	30/26	2,000	270



drylin® linear technology - stainless steel

Temperature-resistant up to $+250^\circ\text{C}$

Corrosion-resistant

Chemical resistance

Ready-to-install linear guides and modules

Lubrication and maintenance-free



Machine parts made of stainless steel are designed to survive in the worst environments. Heat, pressure, seawater, liquid and gaseous media like detergents and other chemicals. If these machine parts also have to work as a bearing, the combination with iglidur® high-performance polymers is ideal. All bearings are lubrication-free and the plastic parts are secured axially and radially in the housings with positive fit.



The suitable iglidur® material can be selected according to the application and used for linear and/or rotary movements.

- Lubrication-free
- Temperature-resistant up to +250°C
- Corrosion-resistant
- Chemical resistance
- Cost-effective

The use of **AISI 316Ti** and **AISI 304** makes of the guides resistant to seawater and chemical contact corrosion, and the guide shafts are also made from AISI 316Ti. Despite the lack of surface hardness, required for instance by recirculating ball bearings, they are suitable for use with plain bearings. The large contact surface of a plain bearing diminishes the surface pressure to a mostly safe value.

Typical application areas

- Food and bottling industry
- meat processing
- Harbour and crane facilities
- Yacht building
- Chemical industry
- Electroplating industry
- Medical and rehabilitation technologies
- Packaging industry



Lubrication freedom with drylin® for a baking and conveyor unit

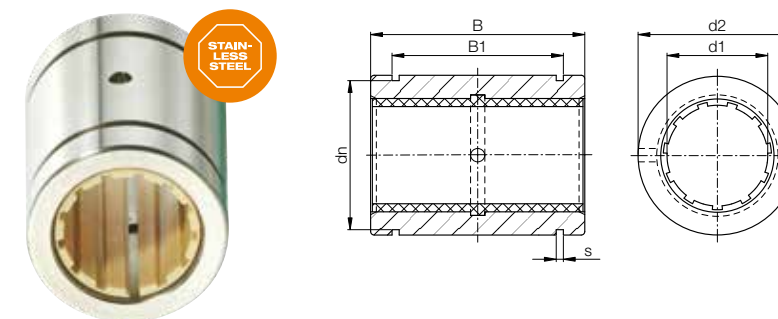


drylin® W guide rails are accredited to cleanroom-standards and therefore used in this blister machine

Closed stainless steel adapters made of stainless steel 303

Order key

Type	Size	Material
R J U M-01-12-ES		
Closed	iglidur® J	Liner
	Metric	Standard
	Inner Ø d1	Stainless steel



- Secured by circlips

i ⁷⁸⁾ According to igus® testing method ▶ Page 260
⁸²⁾ Design tips ▶ Page 186
 Please note: Installation instructions ▶ Page 187

Dimensions [mm]

d1	d2	B	B1	Øs	dn	Part No.
	H7	h10	H10	H10	h10	
12	22	32	22.6	1.30	20.5	RJUM-01-12-ES
16	26	36	24.6	1.30	24.2	RJUM-01-16-ES
20	32	45	31.2	1.60	29.6	RJUM-01-20-ES
25	40	58	43.7	1.85	36.5	RJUM-01-25-ES
30	47	68	51.7	1.85	43.5	RJUM-01-30-ES

Technical data

Part No.	d1 tolerance ⁷⁸⁾ [mm]	Fmax. dynamic ⁸²⁾	Fmax. static ⁸²⁾	Weight [g]
		p = 5MPa [N]	p = 35MPa [N]	
RJUM-01-12-ES	+0.030 +0.088	960	6,720	60
RJUM-01-16-ES	+0.030 +0.088	1,440	10,080	84
RJUM-01-20-ES	+0.030 +0.091	2,250	15,750	147
RJUM-01-25-ES	+0.030 +0.091	3,625	25,375	324
RJUM-01-30-ES	+0.040 +0.110	5,100	35,700	486

Available with drylin® liners (optional: J200/A180):



Single rails round, made of 316 stainless steel



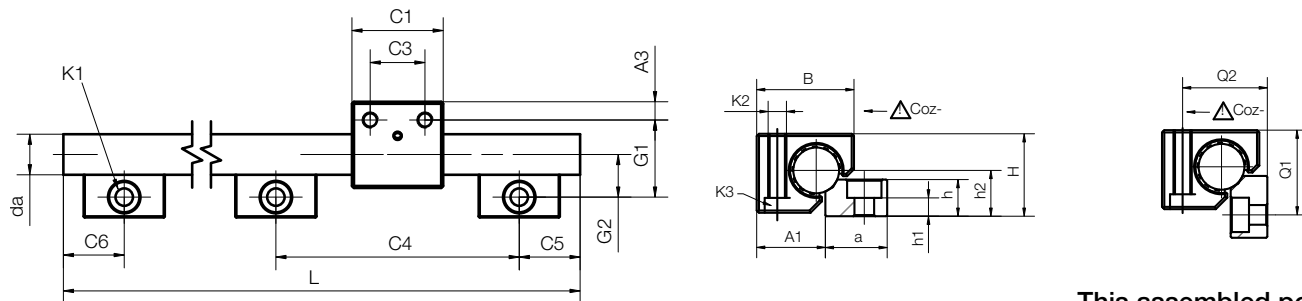
Order key - single rail

Type	Material
------	----------

WS-10-ES-FG

Guide rail	Shafts Ø	Stainless steel	Precision casting
------------	----------	-----------------	-------------------

i Housing and shaft support material
AISI 316
Shafts material
(AISI 316Ti)



This assembled position is not possible for WS-10

Technical data and dimensions [mm]

Part No.	Weight [kg/m]	H ⁵⁷⁾	da	L	a	h	h1	h2	G1	G2	A1	Q1	Q2
		±0.25	-0.1	max.	-0.3								
WS-10-ES-FG	0.87	18	10	3,000	27	5.5	5.5 ⁵⁸⁾	9	27.0	17.0	16.5	-	-
WS-16-ES-FG	2.22	27	16	3,000	27	12.0	4.5	14	33.0	19.0	25.0	32.0	28
WS-20-ES-FG	3.37	36	20	3,000	27	16.0	8.0	20	38.0	21.0	30.0	37.0	37
WS-25-ES-FG	5.21	45	25	3,000	32	20.0	9.0	25	46.5	25.5	37.5	45.5	46

Part No.	C1	C3	C4	C5 min.	C5 max.	C6 min.	C6 max.	A3	K1 for screw DIN 912	Geometrical moment of inertia		Moment of resistance	
										ly [mm ⁴]	lz [mm ⁴]	Wby [mm ³]	Wbz [mm ³]
WS-10-ES-FG	29	16	120	20	79.5	20	79.5	6.5	M6 ⁵⁸⁾	491	491	98	98
WS-16-ES-FG	36	18	120	20	79.5	20	79.5	9.0	M8	3,217	3,217	402	402
WS-20-ES-FG	45	27	120	20	79.5	20	79.5	9.0	M8	7,854	7,854	785	785
WS-25-ES-FG	58	36	150	25	99.5	25	99.5	11.0	M10	19,175	19,175	1,534	1,534

⁵⁷⁾ Height dimension minus the bearing clearance tolerance

⁵⁸⁾ Plain holes

Can be combined with:



Suitable liner material:



Pillow blocks, made from 316 stainless steel



Order key

Type	Design
------	--------

W J UM-01-10-ES-FG

drylin® W	igidur® J liner	Pillow block, round	Standard	Size 10	Stainless steel	Precision casting
-----------	-----------------	------------------------	----------	---------	-----------------	-------------------

Material

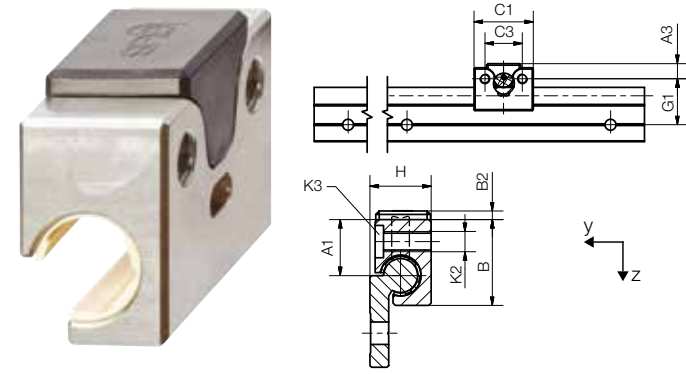
ES-FG: Stainless steel precision casting AISI 316

Technical data and dimensions [mm]

Part No.	Weight [g]	B	C1	C3	A3	K2	K3	Stat. load capacity		
								Countersunk head screw	Coy [N]	Coz+ [N]
WJUM-01-10-ES-FG ⁵⁹⁾	57	26.0	29	16	6.5	M6	M5	3,800	3,800	950
WJUM-01-16-ES-FG ⁵⁹⁾	134	34.5	36	18	9.0	M8	M6	6,900	6,900	1,450
WJUM-01-20-ES-FG ⁵⁹⁾	280	42.5	45	27	9.0	M8	M6	11,000	11,000	1,900
WJUM-01-25-ES-FG ⁵⁹⁾	564	52.5	58	36	11.0	M10	M8	16,000	16,000	3,600

⁵⁹⁾ Alternative with XUMO-01-... liners for high temperatures available. Part No.: WXUM-01-...

WJRM-01 with single roller



Order key

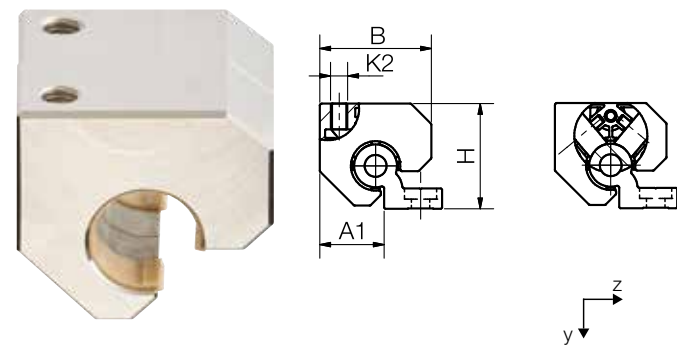
Type	Size	Material
Hybrid roller bearings	With single roller	Size 10
Material		
ES: Stainless steel 1.4571 (AISI 316Ti)		
ES-FG: Stainless steel precision casting AISI 316		

Technical data and dimensions [mm]

Part No.	Stat. load capacity		Dyn. load capacity Cz+ at total running distance [km]				F · v
	Co	10	100	200	max.		
	[N]	[N]	[N]	[N]	[N · m/s]		
WJRM-01-10-ES-FG	250	250	90	50	50		

Part No.	Coefficient of friction in z-direction		Weight [g]	A1	A3	B	B2	C1	C3	G1	H	K2	K3 for screw
	[μ]	[μ]											
WJRM-01-10-ES-FG	< 0.1	-	57	16.5	6.5	26	2.5	35	22	22	18	M6	M5

WJRM-21 with double roller



Order key

Type	Size	Material
Hybrid roller bearings	Double roller bearing	Size 20
Material		
ES: Stainless steel 1.4571 (AISI 316Ti)		
ES-FG: Stainless steel precision casting AISI 316		

Technical data and dimensions [mm]

Part No.	Stat. load capacity		Dyn. load capacity Cy+ at total running distance [km]				F · v
	Co	10	100	200	max.		
	[N]	[N]	[N]	[N]	[N · m/s]		
WJRM-21-20-ES-FG	840	840	300	150	80		

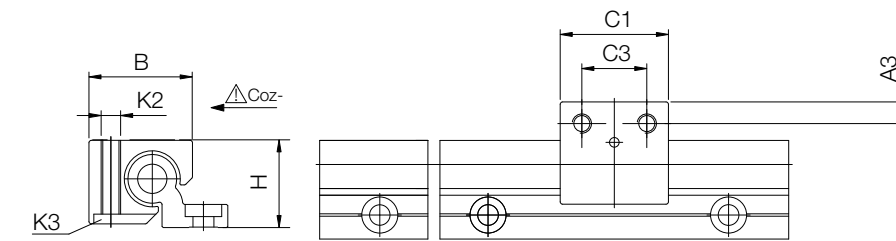
Part No.	Coefficient of friction in z-direction		Weight [g]	A1	A3	B	B2	C1	C3	G1	H	K2	K3 for screw
	[μ]	[μ]											
WJRM-21-20-ES-FG	-	< 0.1	504	30	9	52	-	52	34	38	49	M8	M5



Order key

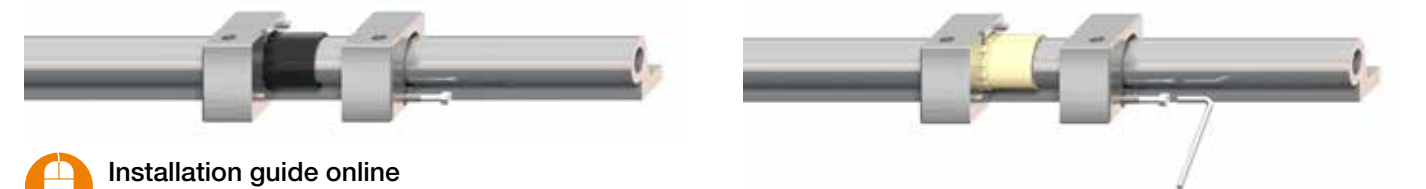
Type	Size
drylin® W	iglidur® material
iglidur® material	Pillow block, round
Pillow block, round	Replaceable
Replaceable	Standard
Standard	Size
Size	Stainless steel

Material
X: iglidur® X
A180: iglidur® A180
A160: iglidur® A160
E7: iglidur® E7



Technical data and dimensions [mm]

Part No.	Weight [g]	B	C1	C3	A3	K2	H ±0.25	K3 for countersunk head screw	Static load capacity		
									CoY [N]	Coz+ [N]	Coz- [N]
WUMA-01-10-ES New	57	26.0	29	16	6.5	M6	18	M5	1,200	1,200	250
WUMA-01-16-ES New	138	34.5	36	18	9.0	M8	27	M6	2,100	2,100	400
WUMA-01-20-ES New	283	42.5	45	27	9.0	M8	36	M6	3,200	3,200	500
WUMA-01-25-ES New	575	52.5	58	36	11.0	M10	45	M8	4,800	4,800	950



Installation guide online
► www.igus.eu/WXUMA

Round double rail, made of stainless steel



Order key

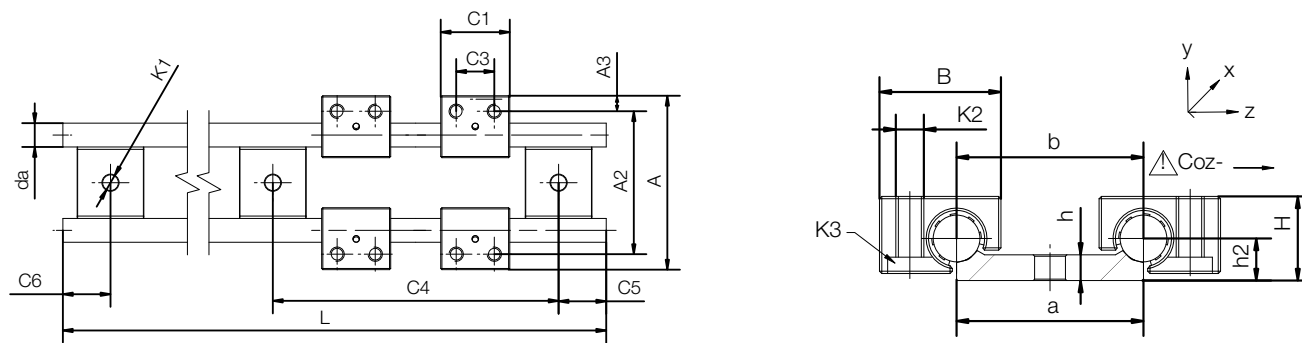
Type

WS-10-40-ES-FG

- Profile rail, round
- Shaft Ø
- Rail width [mm]
- Stainless steel
- Precision casting

Installation size 10-20
Housing and shaft support material
AISI 316
Shaft material AISI 316Ti

Installation size 25
Shaft, shaft support
and housing material AISI 316Ti



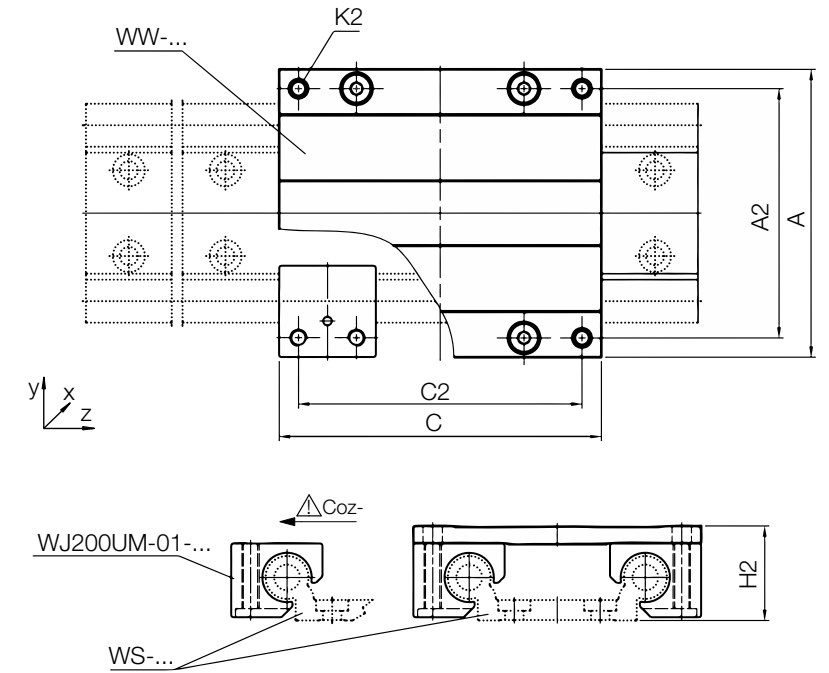
Technical data and dimensions [mm]

Part No.	Weight [kg/m]	H ⁵⁷⁾ ±0.25	da h9	L max.	a -0.3	b	h	h2	A	A2
WS-10-30-ES New	1.53	24	10	3,000	30	30	5.5	9	47	38
WS-10-40-ES-FG	1.58	18	10	3,000	40	40	5.5	9	73	60

Part No.	C4	C5 min.	C5 max.	C6 min.	C6 max.	K1 for screw DIN 912
WS-10-30-ES	120	30	30.0	30	30.0	M6
WS-10-40-ES-FG	120	20	79.5	20	79.5	M6

⁵⁷⁾ Height dimension minus the bearing clearance tolerance

Assembled stainless steel guide carriages, round



Technical data and dimensions [mm]

Part No. ⁶⁴⁾	Weight [kg]	Width Length		A2	C2	K2	H2 ⁵⁷⁾ ±0.25	Static load capacity				
		Coy	Coz					Mox	Moy	Moz		
WW-10-40-10-J200-GESG-PES	0.29	73	100	60	87	M6	24	4,800	2,400	96	170	170
WW-10-40-15-J200-GESG-PES	0.34	73	150	60	137	M6	24	4,800	2,400	96	290	290
WW-10-40-20-J200-GESG-PES	0.40	73	200	60	187	M6	24	4,800	2,400	96	410	410

⁵⁷⁾ Height dimension minus the bearing clearance tolerance ⁶⁴⁾ Optional with manual clamp, suffix "-HKA"

Linear sliding carriage directly replace ball bearing guide - made of stainless steel



Order key

Type

WW-10-30-T15-ES2-□

- Guide carriage
- Shaft Ø
- Rail width [mm]
- Installation size
- Stainless steel
- iglidur® material
iglidur® material
A160:
iglidur® A160
E7:
iglidur® E7

Technical data and dimensions [mm]

Part No.	H	A	C	A1	A2	C2	K2	st	H1	Weight [kg]
WW-10-30-T15-ES2-□ New	24	47	59	8.5	38	30	M5	6	1.5	0.25
WW-10-40-T20-ES2-□ New	30	63	79	11.5	53	40	M6	10	1.5	0.60

drylin® W modular system based on hygienic design

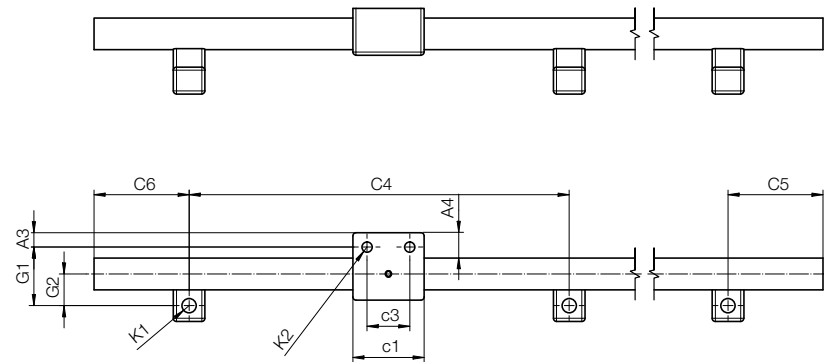
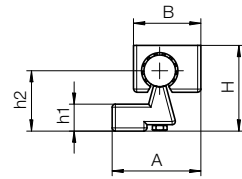


Type

WS-20-ES2-HYD

Profile rail, round	Shaft Ø	Stainless steel	Hygienic design
---------------------	---------	-----------------	-----------------

- Flexible, supported single rails
- Robust double shaft rails
- Smooth round design without corners
- Liner made of iglidur® A160 (compliant with FDA and EU guideline 10/2011 EC)



Technical data and dimensions [mm]

Part No.	H	A	da	B	h1	h2	a1	G1	A3	c1	c3	c4	K1	K2	G2
WS-20-ES2-HYD New	54	56	20	42.5	17	38	80	37	9	45	27	240	9	6.5	20

Part No.	H	B	A3	A4	c1	c3	K2	Weight [g]
WA160UM-01-20-ES2-HYD New	54	42.5	9	16	45	27	6.5	268

drylin® W modular system based on hygienic design

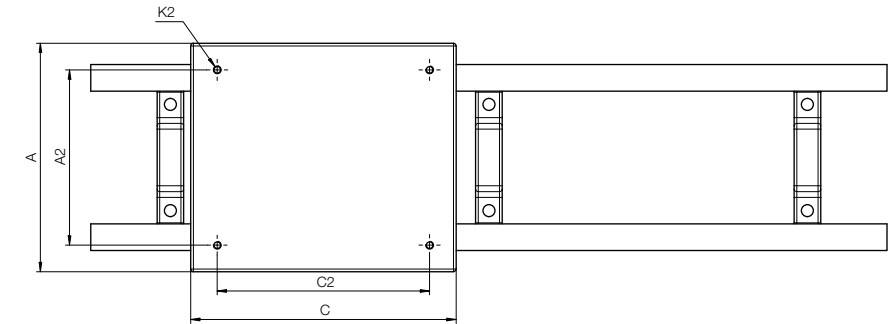
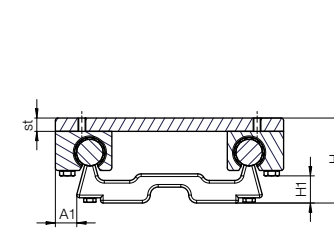


Type

WS-20-120-ES2-HYD

Profile rail, round	Shaft Ø	Shaft Ø	Stainless steel	Hygienic design
---------------------	---------	---------	-----------------	-----------------

- Linear guide according to hygienic design guidelines
- Resistant due to VA stainless steels
- Liners meet conformities for FDA and EU10/2011



Technical data and dimensions [mm]

Part No.	H	A	da	B	a	b	a1	K1	c1	c2	c3	c4	K2	Weight [kg/100mm]
WS-20-120-ES2-xxx-HYD New	54	172	20	42.5	104	120	80	9	45	154	27	240	6.5	0.721

Part No.	H	A	A2	C2	K2	st	A1	H1	Weight [kg]
WW-20-120-20-ES2-HYD New	64	172	132	160	M6	10	16.1	20.5	3.85



EWM

EEWM

EWMR



! igus® recommendation: linear plain bearings equipped with iglidur® E7 liners for 8 times longer service life

🖱️ Contact us!
drylin® shafts can be individually machined. Please send us your drawing or make the configuration online. We can then provide a quick quotation.
▶ www.igus.eu/shaft-configurator

- Completely supported and mounted with standard aluminium support
- For supported shafts:
 - ▶ Partial shaft support supplied in lengths of 600mm max.
 - ▶ Standard pitch T2, T1 also possible upon request
 - ▶ Symmetrical hole pitches C5 = C6

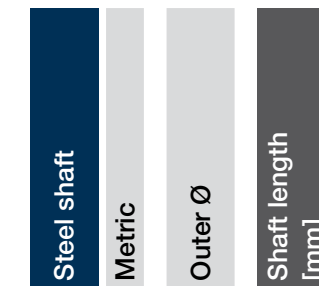
Dimensions [mm] - hardened stainless steel AISI 440B

Part No.	d	Weight [kg/m]	Max. length	Effective hardness depth
EWM-06	06	0.222	3,000	0.8
EWM-08	08	0.359	4,000	0.9
EWM-10	10	0.617	4,000	0.9
EWM-12	12	0.888	6,000	1.0
EWM-16	16	1.578	6,000	1.2
EWM-20	20	2.466	6,000	1.6
EWM-25	25	3.853	6,000	1.8
EWM-30	30	5.549	6,000	2.0
EWM-40	40	9.865	6,000	2.2
EWM-50	50	15.413	6,000	2.4



Type Size Options

EW M- 06 -



Available shaft materials:

AISI 440B, hardened/ground ▶ EWM
AISI 420C, hardened/ground ▶ EEWM
AISI 304, drawn ▶ EWMR
AISI 316Ti, drawn ▶ EWMS

Dimensions [mm] - hardened stainless steel AISI 420C

Part No.	d	Weight [kg/m]	Max. length	Effective hardness depth
EEWM-06	06	0.222	3,000	0.8
EEWM-08	08	0.359	4,000	0.9
EEWM-10	10	0.617	4,000	0.9
EEWM-12	12	0.888	6,000	1.0
EEWM-16	16	1.578	6,000	1.2
EEWM-20	20	2.466	6,000	1.6
EEWM-25	25	3.853	6,000	1.8
EEWM-30	30	5.549	6,000	2.0
EEWM-40	40	9.865	6,000	2.2
EEWM-50	50	15.413	6,000	2.4

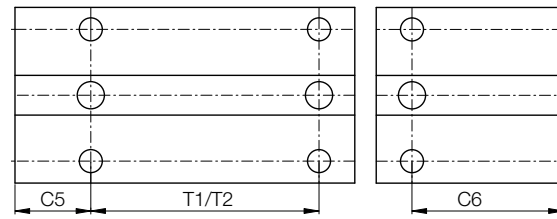
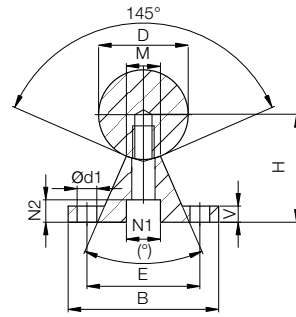
Dimensions [mm] - stainless steel AISI 304 (EWMR) or AISI 316Ti soft stainless steel (EWMS)

Part No.	d	Weight [kg/m]	Max. length
EWMR-10	10	0.617	4,000
EWMS-10	10	0.617	3,000
EWMR-12	12	0.888	6,000
EWMR-16	16	1.578	6,000
EWMR-20	20	2.466	3,000
EWMS-20	20	2.466	3,000
EWMR-25	25	3.853	6,000
EWMR-30	30	5.549	6,000

🛒 Order example:
EWM-16-500: Stainless steel shaft (AISI 440B), with 16mm Ø, 500mm length



EWUM. EEWUM



! igus® recommendation: linear plain bearings equipped with iglidur® E7 liners for 8 times longer service life

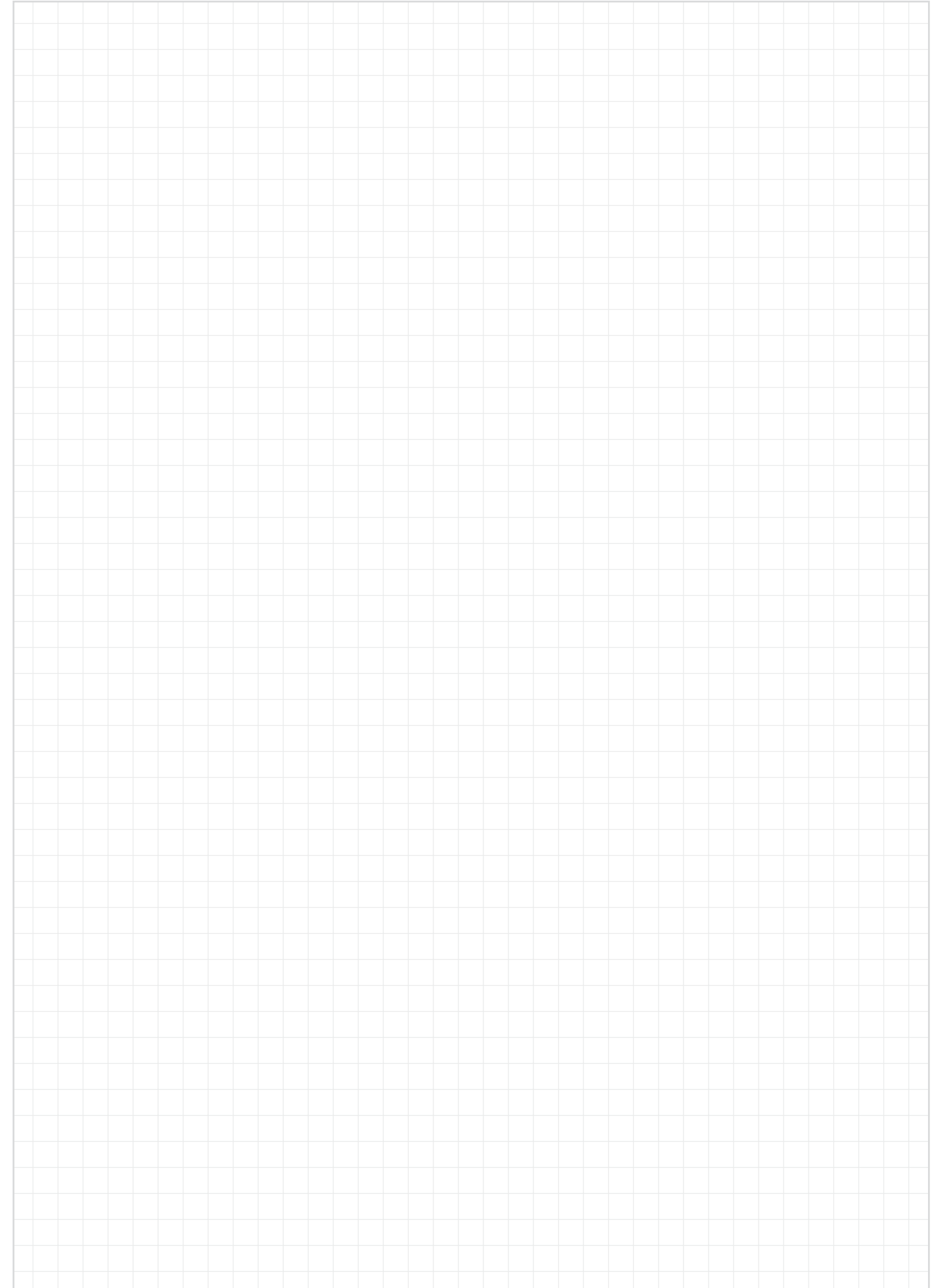
- Completely supported and mounted with standard aluminium support
- For supported shafts:
 - ▶ Partial shaft support supplied in lengths of 600mm max.
 - ▶ Standard pitch T2, T1 also possible upon request
 - ▶ Symmetrical hole pitches C5 = C6

Dimensions [mm] - supported stainless steel shafts EWM (AISI 440B) / EEWUM (AISI 420)

Part No.	D	B	H	V	N1	N2	d1	M	(°)	E	T1	C5/C6		T2	C5/C6		Weight
												min.	max.		min.	max.	
			±0.02								±0.15	for T1	Standard	for T2	Standard	[kg/m]	
□WUM-12	12	40	22	5	8.0	5.0	4.5	5.8	50	29	75	20	57	120	20	79	1.75
□WUM-16	16	45	26	5	9.5	6.0	5.5	7.0	50	33	100	20	69	150	20	94	2.64
□WUM-20	20	52	32	6	11.0	6.5	6.6	8.3	50	37	100	20	69	150	20	94	3.97
□WUM-25	25	57	36	6	14.0	8.5	6.6	10.8	50	42	120	20	79	200	20	119	5.65
□WUM-30	30	69	42	7	17.0	10.5	9.0	11.0	50	51	150	20	94	200	20	119	7.93
□WUM-40	40	73	50	8	17.0	10.5	9.0	15.0	50	55	200	20	119	300	20	169	12.88
□WUM-50	50	84	60	9	19.0	12.5	11.0	19.0	46	63	200	20	119	300	20	169	19.60

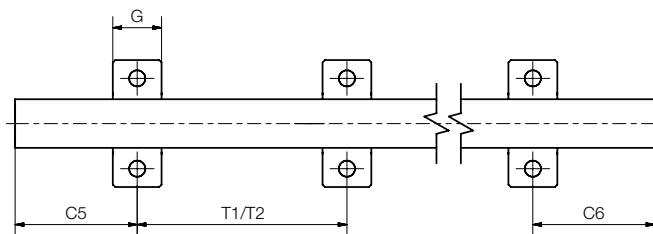
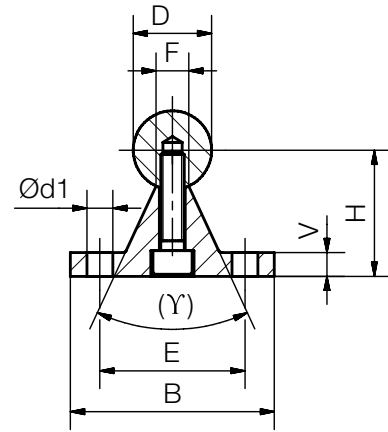
Order example:
EWUM-16-500-T1: Supported stainless steel shaft EWM (AISI 440B) with 16mm outer Ø, 500mm length, T1 pitch
EEWUM-16-500-T1: Supported stainless steel shaft EEWUM (AISI 420C) with 16mm outer Ø, 500mm length, T1 pitch

Notes





EWUM-ES/
EWUMS-ES



! igus® recommendation: linear plain bearings equipped with iglidur® E7 liners for 8 times longer service life

Shaft support blocks for Ø 20mm made of stainless steel VA
 ● Connecting sizes as standard supports made from aluminium

Dimensions [mm] - partially supported stainless steel shafts AISI 440B

Part No.	D h6	B	H ±0.02	V	d1	E	γ	F	G	T1	C5/C6		T2	C5/C6		
											for T1			Standard	for T2	
											min.	max.			min.	max.
EWUM-ES-12	12	40	22	5	4.5	29	-	5.8	14	75	20	57	120	20	79	
EWUM-ES-16	16	45	26	5	5.5	33	-	7.0	16	100	20	69	150	20	94	
EWUM-ES-20	20	52	32	6	6.6	37	50°	8.3	20	100	20	69	150	20	94	
EWUM-ES-25	25	57	36	6	6.6	42	-	10.8	25	150	20	79	200	20	119	
EWUM-ES-30	30	69	42	7	9.0	51	-	11.0	25	150	20	94	200	20	119	
EWUM-ES-40	40	73	50	8	9.0	55	-	15.0	25	200	20	119	300	20	169	

T2 pitch as standard, T1 upon request

! Order example:
EWUM-ES-20-500: Partially supported stainless steel shaft. AISI 440B material, T2 pitch (standard), with 20mm outer Ø, 500mm length



! Order key

Type	Size	Options
------	------	---------

EWUMS-ES-20--T1

Partially supported stainless steel shaft, metric	Material	Outer Ø	Shaft length [mm]	Hole pattern
---	----------	---------	-------------------	--------------

Available materials and lengths:

- AISI 440B, max 6,000mm
- EWUM
- AISI 316Ti, max 3,000mm
- EWUMS

Options

- Blank:** AISI 440B material
- S:** AISI 316Ti
- Hole pattern**
- T2:** T2 pitch (standard)
- T1:** T1 pitch

Dimensions [mm] - partially supported stainless steel shafts AISI 316Ti

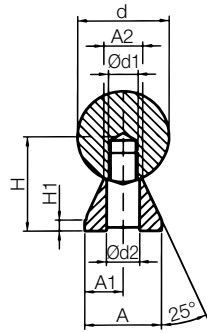
Part No.	D h6	B	H ±0.02	V	d1	E	γ	F	G	T1	C5/C6		T2	C5/C6		
											for T1			Standard	for T2	
											min.	max.			min.	max.
EWUMS-ES-12	12	40	22	5	4.5	29	-	5.8	14	75	20	57	120	20	79	
EWUMS-ES-16	16	45	26	5	5.5	33	-	7.0	16	100	20	69	150	20	94	
EWUMS-ES-20	20	52	32	6	6.6	37	50°	8.3	20	100	20	69	150	20	94	
EWUMS-ES-25	25	57	36	6	6.6	42	-	10.8	25	150	20	79	200	20	119	
EWUMS-ES-30	30	69	42	7	9.0	51	-	11.0	25	150	20	94	200	20	119	
EWUMS-ES-40	40	73	50	8	9.0	55	-	15.0	25	200	20	119	300	20	169	

T2 pitch as standard, T1 upon request

! Order example:
EWUMS-ES-20-500-T1: Partially supported stainless steel shaft. AISI 316Ti material, T1 pitch, with 20mm outer Ø, 500mm length



EWUMN. EEWUMN



Order key

Type Size Options

EWUMN- 20 -2000 -T1

- Low-level supported stainless steel shaft, metric
- Outer Ø
- Shaft length [mm]
- Hole pattern

EWUM, EEWUM: Supported stainless steel shaft
EWUMN, EEWUMN: Low-level supported stainless steel shafts

Available materials and lengths:

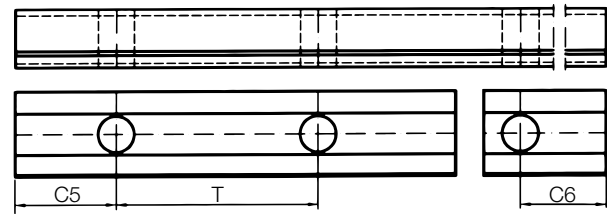
AISI 440B, hardened/ground: EWM

AISI 420C, hardened/ground: EEWUM

Hole pattern:

T2: T2 pitch (standard)

T1: T1 pitch (upon request)



Dimensions [mm] -

low-level supported steel shafts EWM (AISI 440B) / EEWUM (AISI 420)

Part No.	Outer Ø	H	H1	A	A1	A2	d1	d2	T	C5/C6		Weight [kg/m]
	d	±0.02				±0.02		min.		max.		
□WUMN-12	12	14.5	3	11	5.5	5.4	M4	4.5	75	20	57.0	1.62
□WUMN-16	16	18.0	3	14	7.0	7.0	M5	5.5	75	20	57.0	2.54
□WUMN-20	20	22.0	3	17	8.5	8.1	M6	6.6	75	20	57.0	3.81
□WUMN-25	25	26.0	3	21	10.5	10.3	M8	9.0	75	20	57.0	5.62
□WUMN-30	30	30.0	3	23	11.5	11.0	M10	11.0	100	20	69.5	7.63
□WUMN-40	40	39.0	4	30	15.0	15.0	M12	13.5	100	20	69.5	13.47
□WUMN-50	50	46.0	5	35	17.5	19.0	M14	15.5	100	20	69.5	20.31

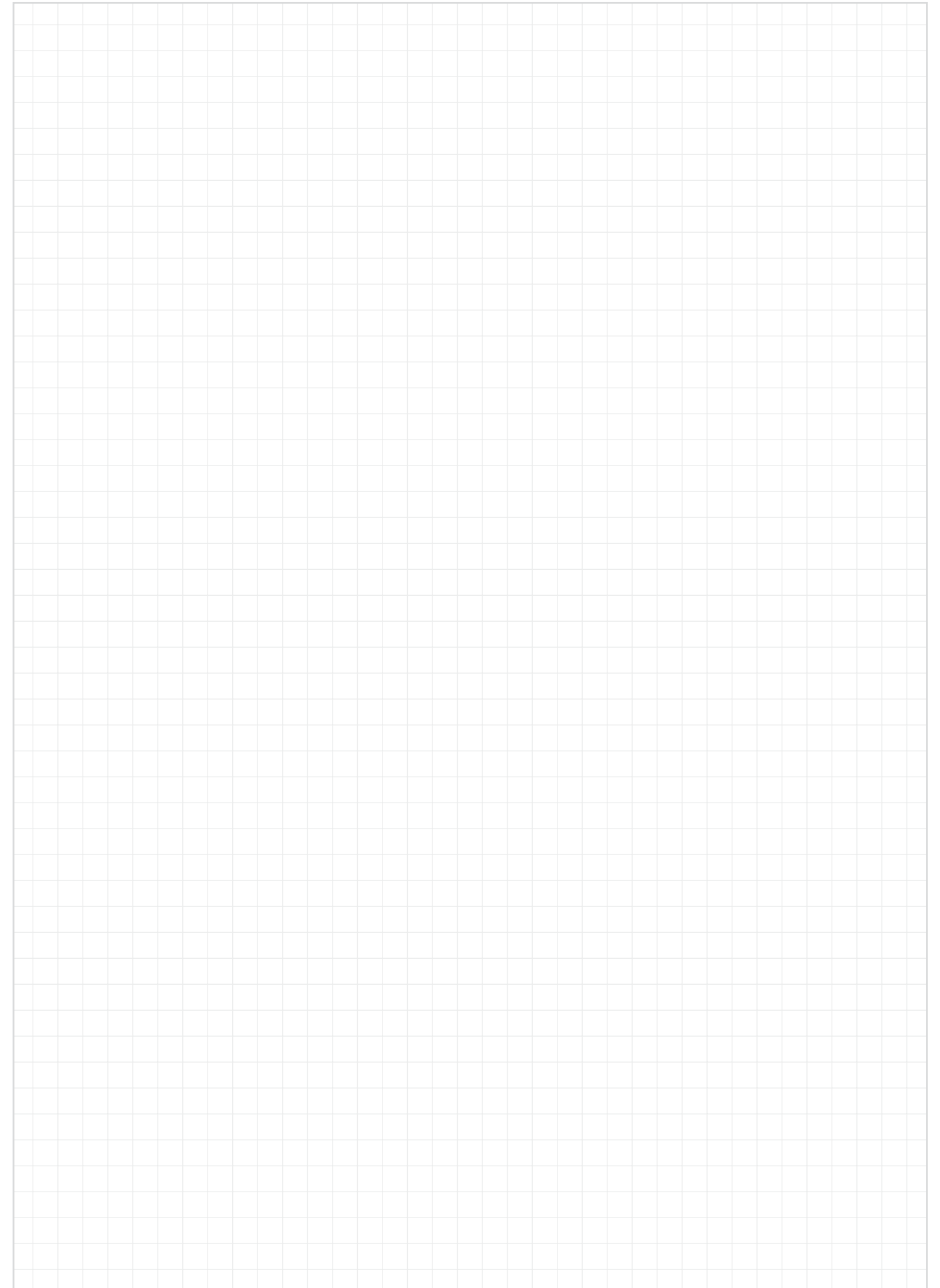
Low-level supported shafts are delivered unassembled.

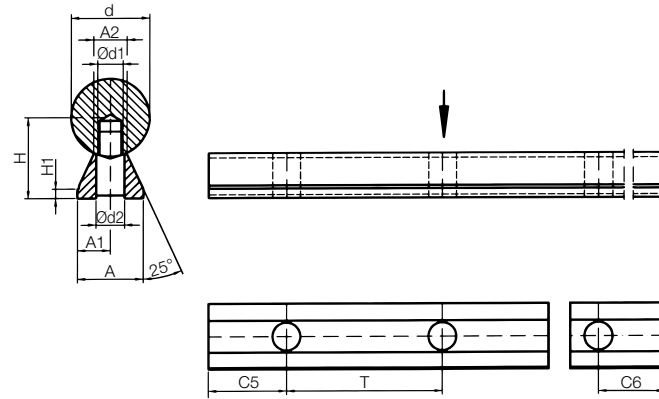


Order example:

EWUMN-16-500: Low level supported stainless steel shaft EWM (AISI 440B), with 16mm outer Ø, 500mm length, T pitch

EEWUMN-16-500: Low level supported stainless steel shaft EEWUM (AISI 420C), 16mm outer Ø, 500mm length, T pitch



EWUMN-ES/
EWUMSN-ES

! igus® recommendation: linear plain bearings equipped with iglidur® E7 liners for 8 times longer service life

Low level shaft support blocks made of stainless steel

- Connection sizes are identical to low-level aluminium supports ► [Page 275](#)

Dimensions [mm] - low-level partially supported stainless steel shafts AISI 440B

Part No.	d	H ±0.02	H1	A	A1	A2	d1	d2	T	C5/C6		Weight [kg/m]
										min.	max.	
EWUMN-ES-12	12	14.5	3	11	5.5	5.4	M4	4.2	75	20	57.0	1.00
EWUMN-ES-16	16	18.0	3	14	7.0	7.0	M5	5.2	75	20	57.0	1.76
EWUMN-ES-20	20	22.0	3	17	8.5	8.1	M6	6.2	75	20	57.0	2.77
EWUMN-ES-25	25	26.0	3	21	10.5	10.3	M8	8.2	75	20	57.0	4.35
EWUMN-ES-30	30	30.0	3	23	11.5	11.0	M10	10.2	100	20	69.5	6.01
EWUMN-ES-40	40	39.0	4	30	15.0	15.0	M12	12.5	100	20	69.5	10.80

Low-level partially supported stainless steel shafts are supplied unassembled



Order example:

EWUMN-ES-20-500: Partially supported stainless steel shaft. AISI 440B material, T2 pitch (standard), with 20mm outer Ø, 500mm length



Order key

Type	Size	Options
EWUMSN-ES	- 20 -	- T1
Stainless steel shaft with low level support, metric	Stainless steel partial support	Outer Ø
		Shaft length [mm]
		Hole pattern

Available materials and lengths:

AISI 440B, max 6,000mm

► EWUMN

AISI 316Ti, max 3,000mm

► EWUMSN

Dimensions [mm] - low-level partially supported stainless steel shafts AISI 316Ti

Part No.	d	H ±0.02	H1	A	A1	A2	d1	d2	T	C5/C6		Weight [kg/m]
										min.	max.	
EWUMSN-ES-12	12	14.5	3	11	5.5	5.4	M4	4.2	75	20	57.0	1.00
EWUMSN-ES-16	16	18.0	3	14	7.0	7.0	M5	5.2	75	20	57.0	1.76
EWUMSN-ES-20	20	22.0	3	17	8.5	8.1	M6	6.2	75	20	57.0	2.77
EWUMSN-ES-25	25	26.0	3	21	10.5	10.3	M8	8.2	75	20	57.0	4.35
EWUMSN-ES-30	30	30.0	3	23	11.5	11.0	M10	10.2	100	20	69.5	6.01
EWUMSN-ES-40	40	39.0	4	30	15.0	15.0	M12	12.5	100	20	69.5	10.80

Low-level partially supported stainless steel shafts are supplied unassembled



Order example:

EWUMSN-ES-20-500-T1: Partially supported stainless steel shaft. AISI 316Ti material, T1 pitch, with 20mm outer Ø, 500mm length



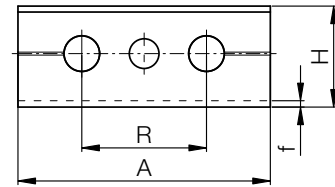
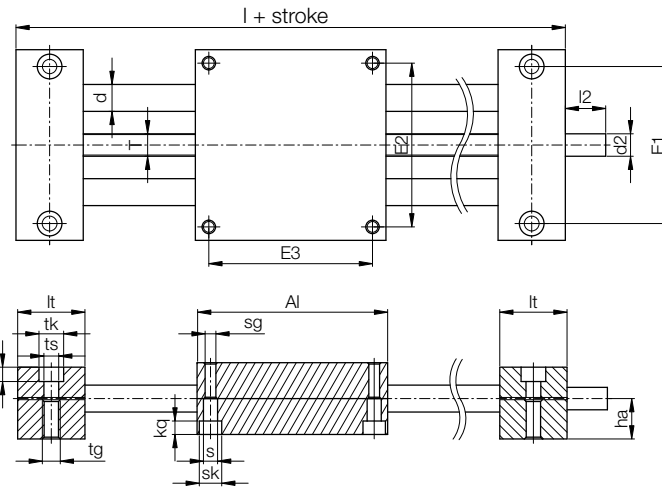
- Corrosion-resistant carriages and shaft end supports made of stainless steel
- High grade stainless steel shafts (AISI 440B)
- Stainless steel lead screw
- Temperature-resistant
- Up to +180°C with iglidur® X
- Food-compliant with iglidur® A180
- Can be configured online as SHTC compact version

Order key

Type Size Options

SHT-ES J -08

Standard
Stainless steel
Bearing material
Shaft material



reddot design award
winner 2006

Technical data

Part No.	Max. stroke length [mm]	Aluminium shaft		Steel shaft		Max. static load capacity	
		Weight [kg]	addit. (per 100mm) [kg]	Weight [kg]	addit. (per 100mm) [kg]	axial [N]	radial [N]
SHT-ESJ-08	300	0.24	0.05	0.27	0.1	100	360
SHT-ESJ-12	750	1.1	0.1	1.3	0.2	700	2,800
SHT-ESJ-20	1,000	3.2	0.3	3.9	0.6	1,600	6,400
SHT-ESJ-30	1,250	8.6	0.6	10.9	1.4	2,500	10,000

Dimensions [mm]

Part No.	A	Al	H	E1	E2	E3	I	R	f	lt	tk	ts
	-0.3	-0.3		±0.15	±0.15	±0.15						
SHT-ESJ-08	65	65	23	52	55	55	96	32	1.5	15.5	10	5.5
SHT-ESJ-12	85	85	34	70	73	73	145	42	2.0	30.0	11	6.6
SHT-ESJ-20	130	130	48	108	115	115	202	72	2.0	36.0	15	9.0
SHT-ESJ-30	180	180	68	150	158	158	280	96	4.0	50.0	20	13.5

Part No.	tg	kt ±0.1	Øs	sk	sg	kq	d	T	I2	d2	ha
										Standard	
SHT-ESJ-08	M6x8	7.0	4.2	8	M5	4.6	8	Tr6x2	17	Tr6x2	13
SHT-ESJ-12	M8x18	6.4	6.3	10	M6	6.0	12	Tr10x2	17	Tr10x2 ⁹²⁾	18
SHT-ESJ-20	M10x23	8.6	6.4	11	M8	7.0	20	Tr18x4	26	12h9	23
SHT-ESJ-30	M16x40	12.6	11.0	18	M12	10.6	30	Tr24x5	38	14h9	36

⁹²⁾ Lead screw end unmachined



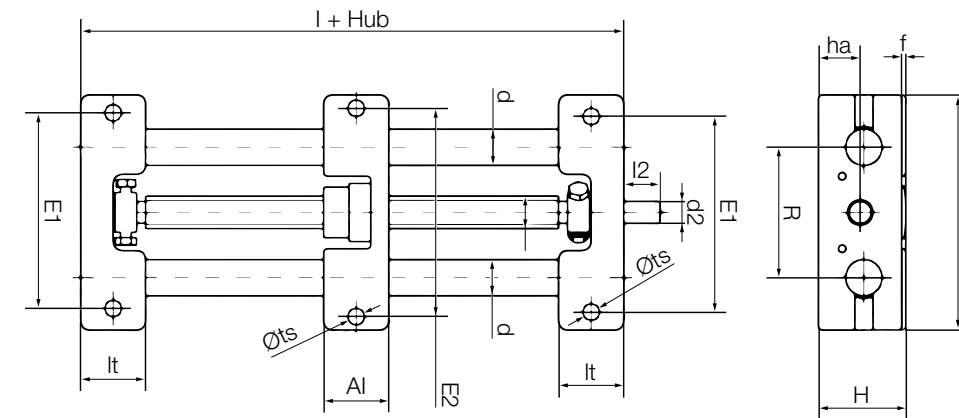
Order key

Type Size Shaft Option

SHTC- 20 -EWM-HYD

Flexible
Installation size
Shaft material
Hygienic design

- Easily cleaned solution
- Wide gaps
- Materials: plastic and stainless steel
- Lead screw nuts made of FDA-compliant iglidur® A180
- Accessories available ► **Page 613**



The lead screw linear unit can be delivered with complete FDA-compliant materials.

Dimensions [mm]

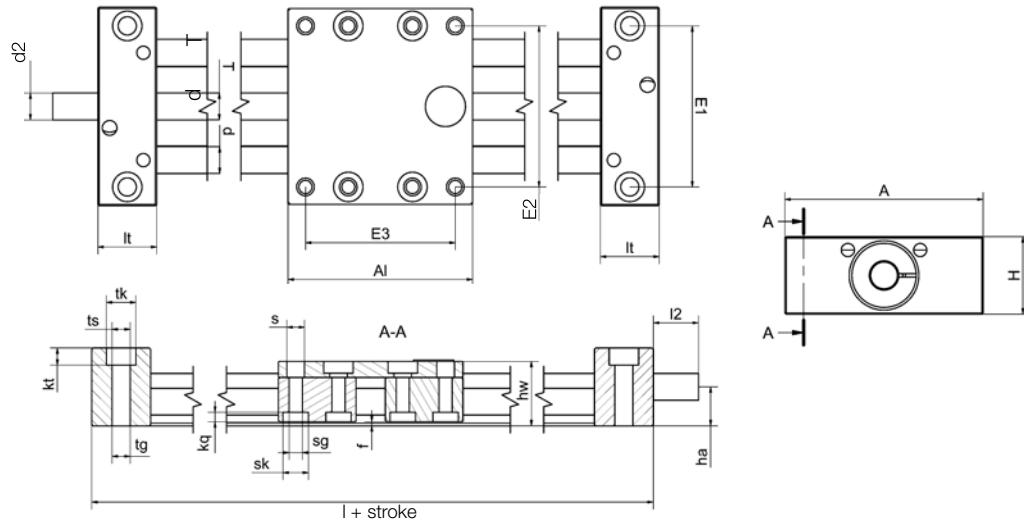
Part No.	A	Al	H	E1	E2	I	R	f	lt	ts	d	T	I2	d2	ha
	-0.3	-0.3		±0.15	±0.15										
SHTC-20-EWM-HYD	130	36	48	108	115	108	72	2	36	9.0	20	Tr18x4	26	12 h9	23

Made of stainless steel

Order key

Type	Size
SLW-ES J -1040	
Compact	Stainless steel
	iglidur® J bearing
	Installation size

- Stainless steel version with corrosion-resistant steel components (AISI 303, AISI 316 and (AISI 316Ti))
- Choice of bearing material:
iglidur® J = Standard
iglidur® A180 = FDA-compliant
iglidur® X = High temperature up to +150°C¹¹⁷⁾
- Accessories available
▶ **Page 613**



Technical data

Part No.	Shaft Ø [mm]	Max. stroke length [mm]	Weight [kg]	additional (per 100mm) [kg]	Max. stat. load capacity	
					axial [N]	radial [N]
SLW-ESJ-1040	10	750	1.4	0.2	700	2,800
SLW-ESX-1040	10	750	1.4	0.2	700	2,800
SLW-ESA180-1040	10	750	1.4	0.2	700	2,800
SLW-ESJ-2080	20	1,000	5.7	0.64	1,600	6,400
SLW-ESA180-2080	20	1,000	5.7	0.64	1,600	6,400

Dimensions [mm]

Part No.	A	Al	H	E1	E2	E3	l	hw	f	lt	tk	ts	tg
	-0.3	-0.3		±0.15	±0.15	±0.15							
SLW-ES-1040	74	100	29	60	60	87	144	24	1.5	22	11	6.8	M8x10
SLW-ES-2080	134	150	46	116	116	132	206	44	1.5	28	15	8.6	M10x15

Part No.	kt	Øs	sk	sg	kq	d	T	l2	d2	ha
	±0.1								Standard	
SLW-ES-1040	6.4	6.6	9.5	M6	4.4	10	Tr10x2	17	Tr10x2 ⁹²⁾	14.5
SLW-ES-2080	8.6	9.0	14	M8	5.5	20	Tr18x4	26	12h9	23.0

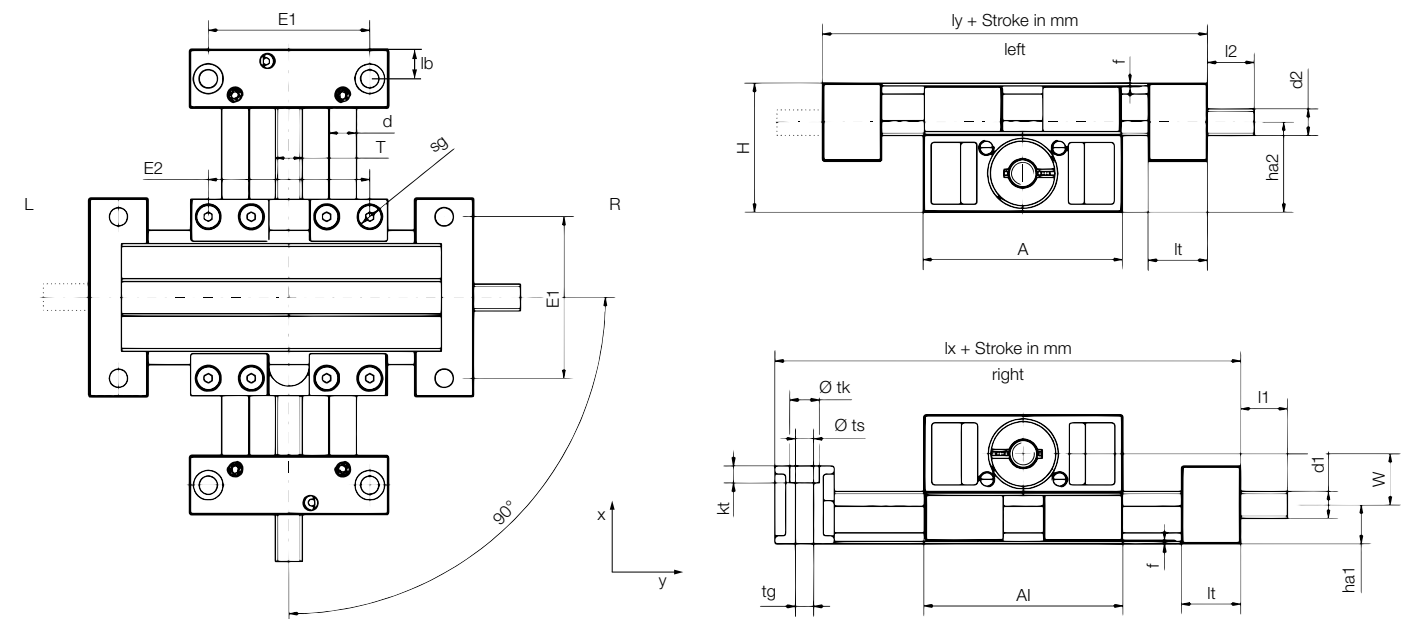
⁹²⁾ Lead screw end unmachined

¹¹⁷⁾ In the event of severe temperature fluctuations during transport, storage and use, thermal expansion effects cannot be ruled out

XY tables - stainless steel version



- For manual adjustments
- High torsional stability
- Structure entirely made from 316 stainless steel materials
- Chemical and corrosion-resistant
- Accessories available ▶ **Page 613**



Dimensions [mm]

Part No.	Max. stroke length [mm]	A	Al	H	E1	E2	Base length lx	Base length ly	f	lt	tk	ts	tg	kt
		-0.3			±0.15	±0.15					±0.1			
SLW-XY-ESJ-1040	300	74	73	48	60	60	117	117	1.5	22	11	6.8	M8x10	6.4

Part No.	sg	d	T	l1	d1	d1	l2	d2	d2	ha1	ha2	W
					Standard	Alternative		Standard	Alternative			ha2-ha1
SLW-XY-ESJ-1040	M6	10	Tr10x2	17	Tr10x2	6 h9	17	Tr10x2	6 h9	14.5	33.5	19

The hand wheel can be ordered left or right-mounted in the y-direction.

Left: SLW-XY-ESJ-1040-L-200-300 for 200mm stroke length on the x-axis and 300mm on the y-axis

Right: SLW-XY-ESJ-1040-R-200-300 for 200mm stroke length on the x-axis and 300mm on the y-axis

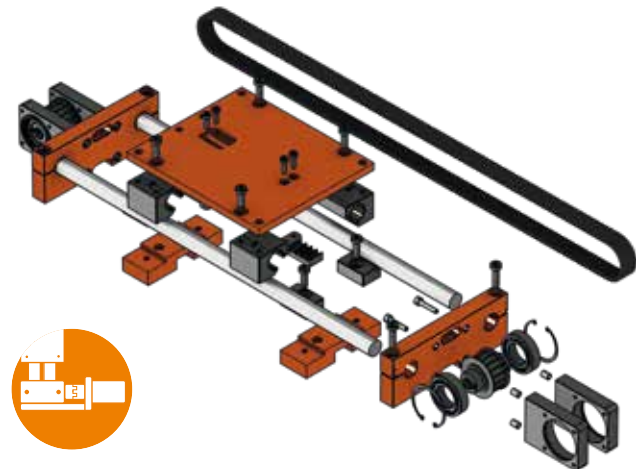
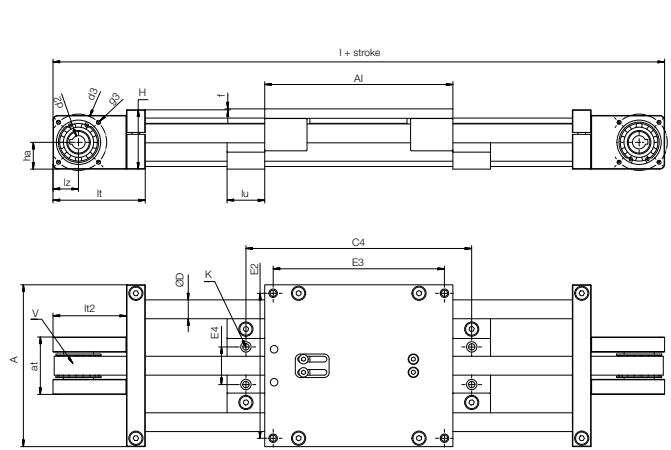


Order key
Type Size Options
ZLW-20120-ES-02-S-200-H-2000

Toothed belt axis	Installation size	Axis distance	Design	Version	Carriage length	Drive shaft	Stroke length
-------------------	-------------------	---------------	--------	---------	-----------------	-------------	---------------



- High speed with ball bearing supported drive shaft
- Robust wide round belt
- Central belt adjustment on the carriage
- Based on lubrication-free drylin® W linear guide
- Variable motor connection due to solid and hollow shafts



Technical data

Part No.	Max. stroke length [mm]	Transmission [mm/rev]	Tooth profile	Drive belt	
				Material	Tension [N]
ZLW-20120-ES	2,500	144	8M	PU with steel cable	750
ZLW-20160-ES	2,500	144	8M	PU with steel cable	750
ZLW-20200-ES	2,500	144	8M	PU with steel cable	750

Dimensions [mm]

Part No.	A	Al	H	E2	E3	E4	C4	f	lt	ha	lz	l	d2 h7	d3	g3	D	K For DIN912 - M6	at	lt2	lu	V [mm/ rev]
ZLW-20120-ES	172	200	63	154	182	40	240	-	98	28.5	27	396	14	60	M5	20	M8	61	78	40	144
ZLW-20160-ES	212	200	63	194	182	80	240	-	98	28.5	27	396	14	60	M5	20	M8	61	78	40	144
ZLW-20200-ES	252	200	63	234	182	120	240	-	98	28.5	27	396	14	60	M5	20	M8	61	78	40	144

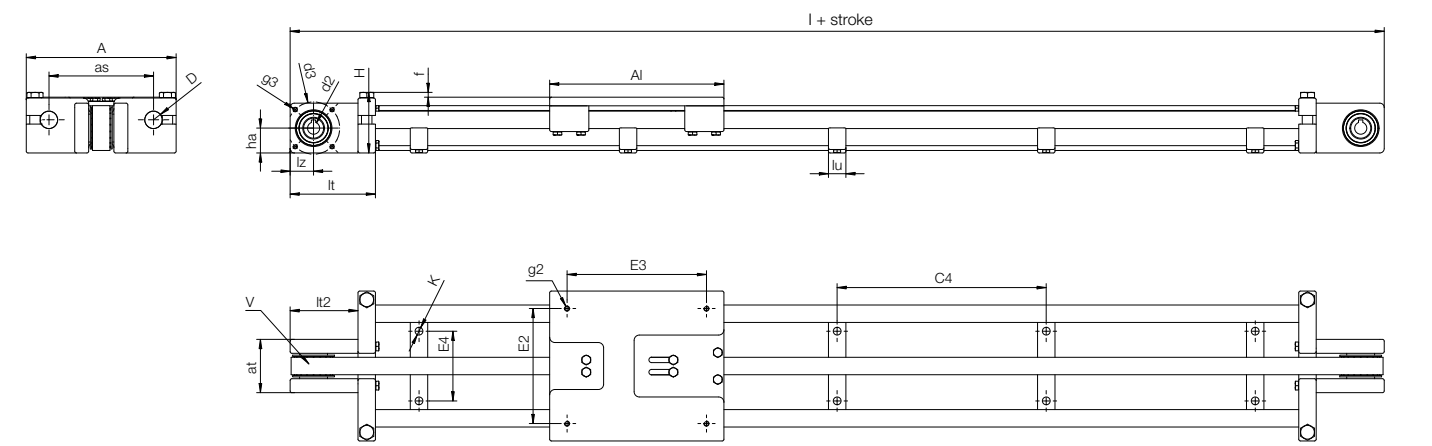


Order key
Type Size Options
ZLW-20120-HYD-02-S-200-H-2000

Toothed belt axis	Installation size	Axis distance	Design	Version	Carriage length	Drive shaft	Stroke length
-------------------	-------------------	---------------	--------	---------	-----------------	-------------	---------------



- Linear axis compliant with hygienic design
- Bearing points FDA-compliant through iglidur® A160
- Corrosion-resistant



Technical data

Part No.	Max. stroke length [mm]	Weight [kg]	Weight additional (per 100mm) [kg]	Transmission [mm/rev]	Tooth profile	Toothed belt material	Toothed belt tension

Dimensions [mm]

Part No.	A	Al	H	E2	E3	E4	C4	f	lt	ha
ZLW-20120-HYD New	172	200	69.4	132	Al-40	80	240	5.4	98	28.5

Part No.	lz	l	d2 H7	d3	g3	D	K	at	lt2	lu
ZLW-20120-HYD New	27	396	14	60	M5	20	9	61	78	20

