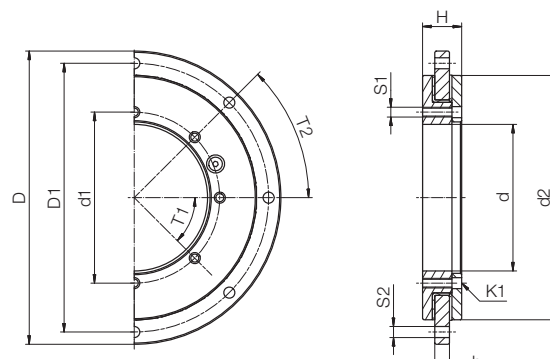
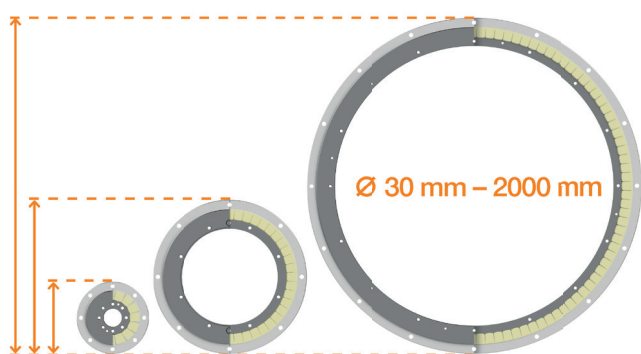


## Slewing ring bearings iglidur® PRT-04



### Low profile with customised PRT-04 dimensions

With our PRT-04 modular system, you can not only draw on the large standard product range, but also expand the diameter up to 2,000mm according to your requirements. Select the right diameter for your application and benefit of the compact and space-saving design of our PRT-04 series.

- 60% lighter and 50% more compact than PRT-01
- Ready-to-install complete solution
- Proven aluminium and iglidur® J material combination
- Lubrication and maintenance-free

## Product range

Part No.	D [mm]	D1 [mm]	d1 [mm]	d [mm]	Ø d2 [mm]	H [mm]	h [mm]	T1	T2	S1	S2 [mm]	K1 [mm]
PRT-04-(up to 2,000mm)	2,060	2,050	2,010	2,000	2,040	16	6	32 x 11.25°	32 x 11.25°	M4	Ø 4.5 (H13)	Ø 4.5 (H13)