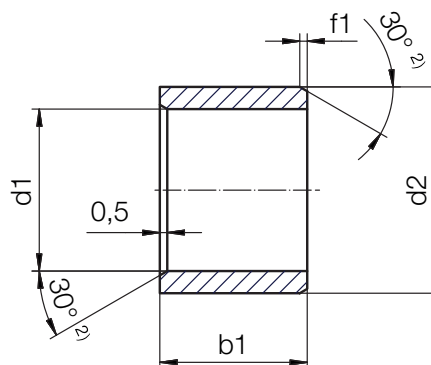


Plain bearings

iglidur® F3



Electrostatically dissipative with ESD certificate

In order to protect sensitive systems and electronic devices from electrostatic charging, reliable discharge via plain bearings is important. That's exactly what iglidur® F3 offers in addition to the predictable service life.

- Electrostatically dissipative according to ESD specifications
- Cost-effective with injection moulding
- Predictable service life based on over 10,000 test data, conductivity confirmed by ESD certificate
- Good coefficient of wear and long service life
- Service life can be predicted with the iglidur® configurator: igus.eu/iglidur-expert

Technical data

General properties

Density	1.32g/cm ³
Colour	black
Max. moisture absorption at +23°C and 50% r.h.	0.9% weight
Max. moisture absorption	3.9% weight

Mechanical properties

Flexural modulus	4,000MPa
Flexural strength	119MPa
Max. recommended surface pressure	93MPa
Shore D hardness	76

Thermal properties

Max. long-term application temperature ¹⁾	+90°C
Max. short-term application temperature ^{1), 2)}	+170°C
Max. short-term ambient temperature ^{1), 2)}	+190°C
Min. application temperature	-40°C

Electrical properties ³⁾

Specific transitional resistance	>10 ¹⁶ Ωcm
Surface resistance	10 ³ W < x < 10 ⁶ W

¹⁾ Relaxation not excluded, ²⁾ No additional load; no sliding movement ³⁾ The good conductivity of this plastic material under certain circumstances can favour the generation of corrosion on the metallic contact components.