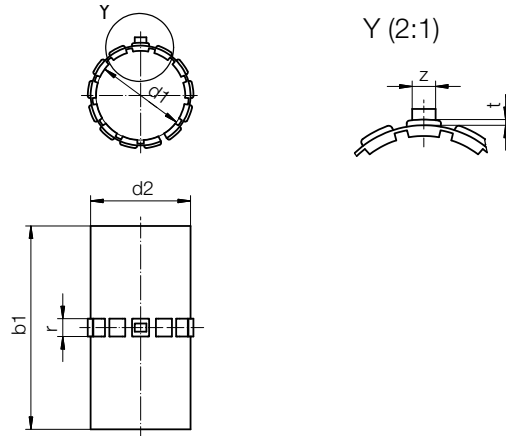


Liner drylin® R liners



CO₂ reduced econ liner

drylin® R liners made from iglidur® J4 with a high proportion of regranulate material (up to 97%) and a CO₂ footprint reduced by over 60%.

- For drylin® R round shafts with a diameter of 12 - 40mm and drylin® W linear guides with a diameter of 10 - 25mm
- Savings potential min. 25% compared to liners made from iglidur® J
- Tested in the igus® laboratory: wear rate iglidur® J4: 0.24µm/km (p = 0.3MPa), average coefficient of friction on hard-anodised aluminium shaft AWMP: 0.28µ
- 100% lubrication-free

Product range

Part No.	Shaft / d1 (Ø) [mm]	d1 tolerance* [mm]	Weight [g]	d2 [mm]	b1 [mm]	r [mm]	t [mm]	z** [mm]
J4UM-01-12	12	+0.03 / +0.07	1.6	14	31	3.0	0.8	3.0
J4UM-01-16	16	+0.03 / +0.07	2.4	18	35	3.5	0.8	3.5
J4UM-01-20	20	+0.03 / +0.07	5.2	23	44	5.0	0.8	3.5
J4UM-01-25	25	+0.03 / +0.07	8.8	28	57	5.0	0.8	4.0
J4UM-01-30	30	+0.04 / +0.09	16.3	34	67	5.0	0.8	4.0
J4UM-01-40	40	+0.04 / +0.09	26.0	44	79	6.0	1.3	5.0

*According to igus® testing method **Diagonal / Ø dimension