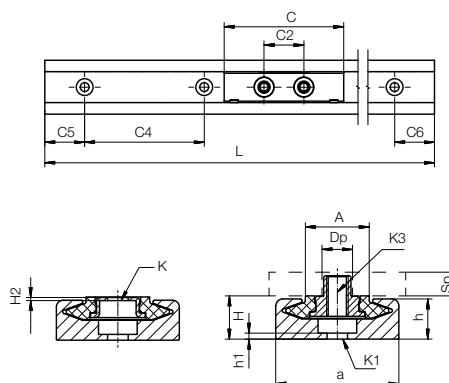
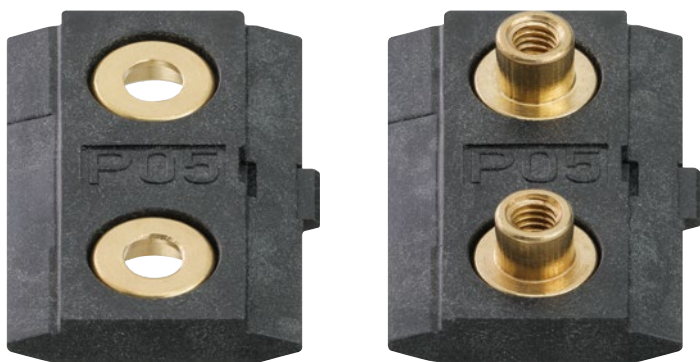


drylin® N guide carriage

Standard prism carriage with single pre-load



Almost invisible

Extremely flat pre-load prism slide with black rails and linear carriage for precise adjustment.

- Controlled adjustment thanks to individual pretension
- Compatible with many systems: standard carriage with plain or threaded hole
- Guaranteed holding forces tested in the igus® laboratory
- Compact, lightweight design with low inertia

Product range

Part No.	Pre-load [N]	H ±0.35 [mm]	A [mm]	C [mm]	C2 [mm]	H2 [mm]	K [mm]	K3 [mm]	M* [Nm]	SP (min.) [mm]	Dp** [mm]	Weight [g]
NWV-21-27-35-AR-P05	0.5	9.5	14	35	20	0.7	Ø4.5	-	-	-	-	6
NWV-21-27-35-AR-P11	1.1	9.5	14	35	20	0.7	Ø4.5	-	-	-	-	6
NWV-21-27-35-AR-P23	2.3	9.5	14	35	20	0.7	Ø4.5	-	-	-	-	6
NWV-21-27-35-AR-P38	3.8	9.5	14	35	20	0.7	Ø4.5	-	-	-	-	6
NWV-21-27-35-AR-P80	8.0	9.5	14	35	20	0.7	Ø4.5	-	-	-	-	6
NWV-22-27-35-AR-P05	0.5	9.5	14	35	20	-	-	M4	1.2	5	6.5	11
NWV-22-27-35-AR-P11	1.1	9.5	14	35	20	-	-	M4	1.2	5	6.5	11
NWV-22-27-35-AR-P23	2.3	9.5	14	35	20	-	-	M4	1.2	5	6.5	11
NWV-22-27-35-AR-P38	3.8	9.5	14	35	20	-	-	M4	1.2	5	6.5	11
NWV-22-27-35-AR-P80	8.0	9.5	14	35	20	-	-	M4	1.2	5	6.5	11

*Max. screw tightening torque **Hole min. Ø

Part No.	Guaranteed holding force [N]
NWV-21/22-27-35-AR-P05	0.5
NWV-21/22-27-35-AR-P11	1.1
NWV-21/22-27-35-AR-P23	2.3
NWV-21/22-27-35-AR-P38	3.8
NWV-21/22-27-35-AR-P80	8.0

The average displacement force values apply to unloaded carriages at centric drive. The real displacement forces depend to a large extent on the displacement speed. At creep movement (few mm/min.), the values are slightly over the guaranteed holding force. At higher displacement forces, the values can considerably exceed the average displacement force. The values do not apply for applications in which dirt and moisture ingress into the system. The holding force cited is a minimum value - the displacement force required to move the carriage may be higher.