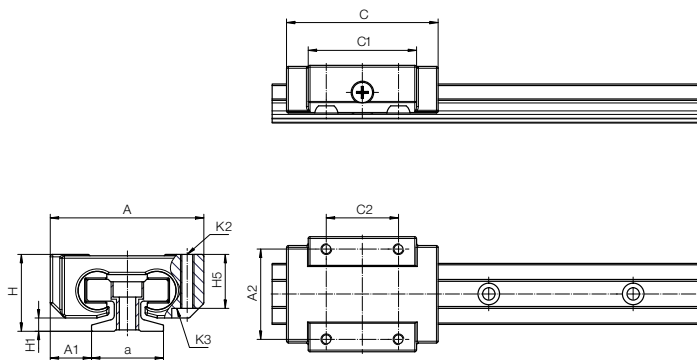


drylin® T guide carriages

**Pre-loaded miniature guide**



**Best coefficient of friction with pretension**

Ease of use and new freedom in design. Now also pre-loaded.

- Linear carriage for installation size 09/12/15 with pretension
- Coefficient of friction improved by up to 40% through iglidur® E3
- Up to 30% more design freedom thanks to the 3:1 rule
- 100% maintenance-free due to self-lubrication

**Product range**

Part No.	Weight	Pre-load	H	A	C	A1	A2	C1	C2	H1	H5	a	K2 thread	Tightening torque	K3 for screw
	[g]	[N]	±0.2	-0.2	±0.3	±0.35				±0.35		-0.2		[Nm]	DIN 912
TW-14-09-P30	18	3	10	20	29	5.5	15	18	13	1.7	7.2	9	M2	0.3	-
TW-14-12-P40	36	4	13	27	34	7.5	20	22	15	2.2	9.5	12	M3	0.5	M2
TW-14-12-P90	36	9	13	27	34	7.5	20	22	15	2.2	9.5	12	M3	0.5	M2
TW-14-15-P40	64	4	16	32	42	8.5	25	31	20	2.8	11.0	15	M3	0.5	M2
TW-14-15-P90	64	9	16	32	42	8.5	25	31	20	2.8	11.0	15	M3	0.5	M2