

igus® data sheet

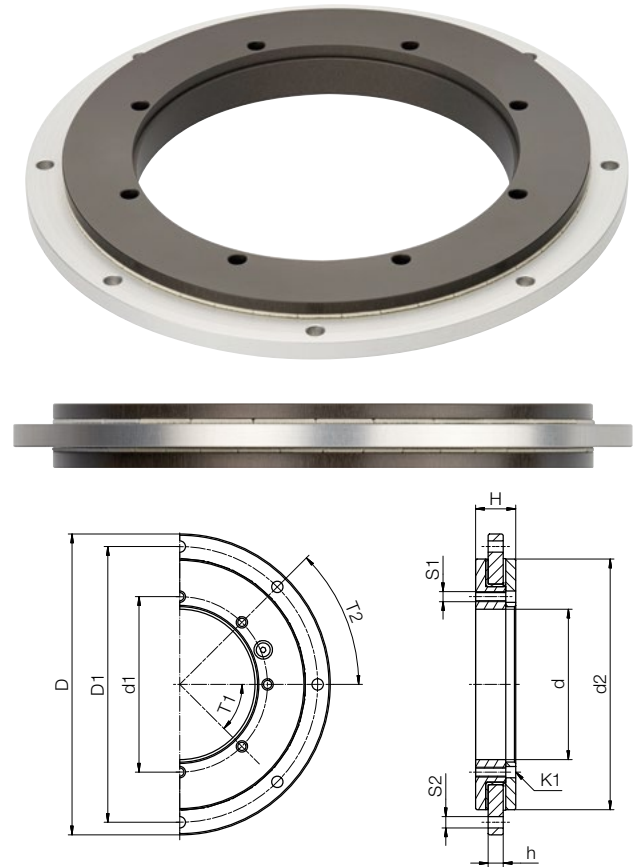
PRT-04 slewing rings



iglidur® PRT slewing ring bearings are ready-to-install with lubrication-free dry operation. The design is not based on metallic rollers or balls, but on maintenance-free sliding elements made of proven, tribologically optimised iglidur® materials in combination with rings made of lightweight, anodised aluminium. The PRT-04 is the high performer in our product range. In addition, you will benefit from an extensive and ever-growing modular system.

- 60% lighter, 50% more compact and 20% more cost-effective than PRT-01
- Universal sliding elements made of iglidur® J
- Extensive modular system
- Particle emission test in Fraunhofer's IAF-compliant cleanroom laboratory

The sliding elements made from iglidur® J are our best all-rounders. They are characterised by a low coefficient of friction during dry operation. This material also has low moisture absorption and good chemical resistance. Do you have a cleanroom application? With our iglidur® J sliding elements, you can also use the PRT-04 in cleanrooms. Contact us if you require a consultation.



Type 04

Specifications	Unit	-20	-30	-50	-60	-100	-150	-200	-300
Weight	g	132	163	225	256	379	527	680	985
Axial load, static	N	5,000	8,000	12,000	14,000	20,000	27,000	35,000	48,000
Axial load, dynamic	N	1,500	2,000	3,000	4,000	5,000	7,500	9,000	12,000
Radial load, static	N	1,000	1,500	2,500	3,000	5,500	6,500	8,000	10,000
Radial load, dynamic	N	300	400	750	900	1,500	1,900	2,500	3,500
Rotating speed, dry operation	rpm	300	250	200	190	135	100	80	50
Max. permissible tilting moment	Nm	30	60	200	250	450	650	875	1,200

Dimensions [mm]

D	D1	d1	d	d2	H	h	T1	T2	S1	S2	K1 for screw	Part No.
80	70	30	20	60	16	6	8×45°	8×45°	M4	Ø4.5	Ø4.5	PRT-04-20
90	80	40	30	70	16	6	8×45°	8×45°	M4	Ø4.5	Ø4.5	PRT-04-30
110	100	60	50	90	16	6	8×45°	8×45°	M4	Ø4.5	Ø4.5	PRT-04-50
120	110	70	60	100	16	6	8×45°	8×45°	M4	Ø4.5	Ø4.5	PRT-04-60
160	150	110	100	140	16	6	8×45°	8×45°	M4	Ø4.5	Ø4.5	PRT-04-100
210	200	160	150	190	16	6	16×22.5°	16×22.5°	M4	Ø4.5	Ø4.5	PRT-04-150
260	250	210	200	240	16	6	16×22.5°	16×22.5°	M4	Ø4.5	Ø4.5	PRT-04-200
360	350	310	300	340	16	6	16×22.5°	16×22.5°	M4	Ø4.5	Ø4.5	PRT-04-300

Benefit from our PRT-04 modular system

Our PRT-04 series universal sliding elements are available in four different materials and can be replaced individually. Contact us if you require a consultation.



iglidur® J

- Low coefficient of friction during dry operation
- Low moisture absorption
- Low particle emission



iglidur® H1

- High resistance to temperature and chemicals
- Ideal pivoting movements



iglidur® A180

- Complies with Food and Drug Administration (FDA) regulations for contact with food
- Good media resistance
- For for wet environments



iglidur® F2

- ESD-compliant
- Electrically conductive

Learn more about our different PRT-04 modular system variants:



Made of stainless steel



With outer spacing ring



With locking mechanism

