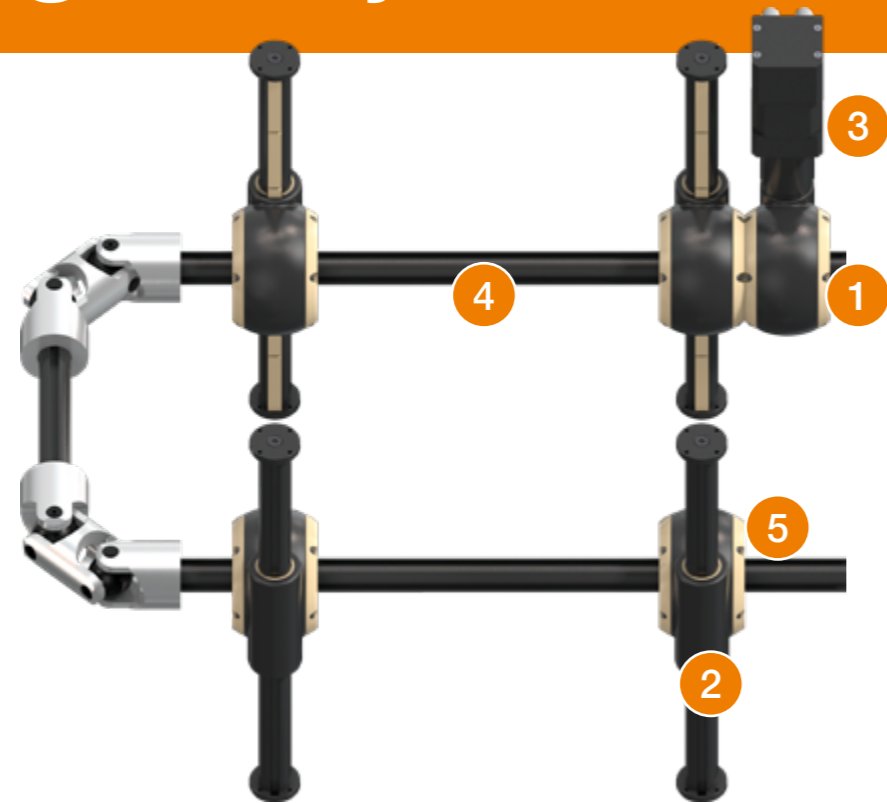
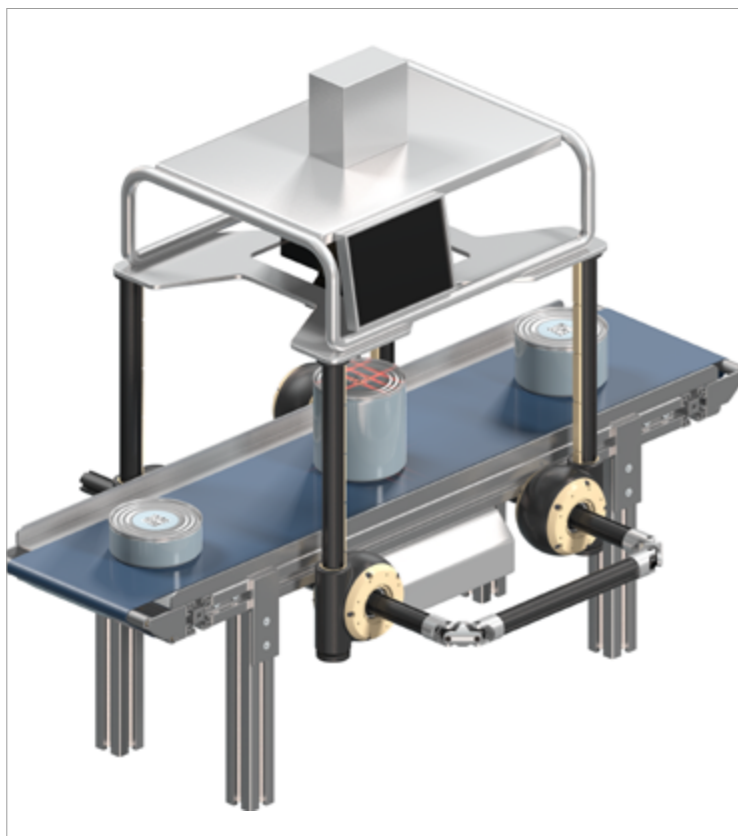


# Height adjustment



Flexible applications with modular gearboxes for all movements



Are you building a height adjustment application and looking for the right components? We offer the following cost-effective, maintenance-free products from stock.

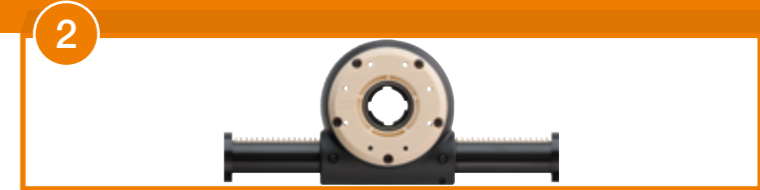
Our "Apiro®" gearbox system for a wide variety of kinematic elements and superstructures was named after the Greek word for "infinite". Individual applications can be implemented with the drygear® Apiro® gearbox system in a modular and cost-effective manner.

Typical application areas are lane adjustments, pusher tasks, gearboxes with various gear ratios, slewing rings and rotary axes. Due to the large product portfolio of igus® we can provide you with the suitable motor, including motor control system as well as cables.

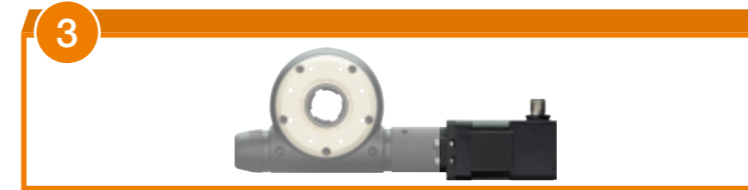
... suitable products for your production line ...  
... go directly to the online shop with just one click:



drygear® Apiro® gearboxes  
with gear ratio 32:1



drygear® Apiro® cantilever axis  
with flat stops



drygear® Apiro® motor kit  
NEMA17 with connector and encoder



drygear® Apiro® universal profile  
with a length of 600mm



drygear® Apiro® INI kit  
for cantilever axis



Coupling  
with clamp



drylin® D1 motor control system  
for stepper, DC and EC/BLDC motors



chainflex® motor cable  
10m length, 90 degree plug



chainflex® INI cable  
10m length, straight plug



chainflex® encoder cable  
10m length, 90 degree plug

You can find more information at:  
[igus.eu/apiro-ideas](https://igus.eu/apiro-ideas)



Download parts list



More information about  
Low Cost Automation

