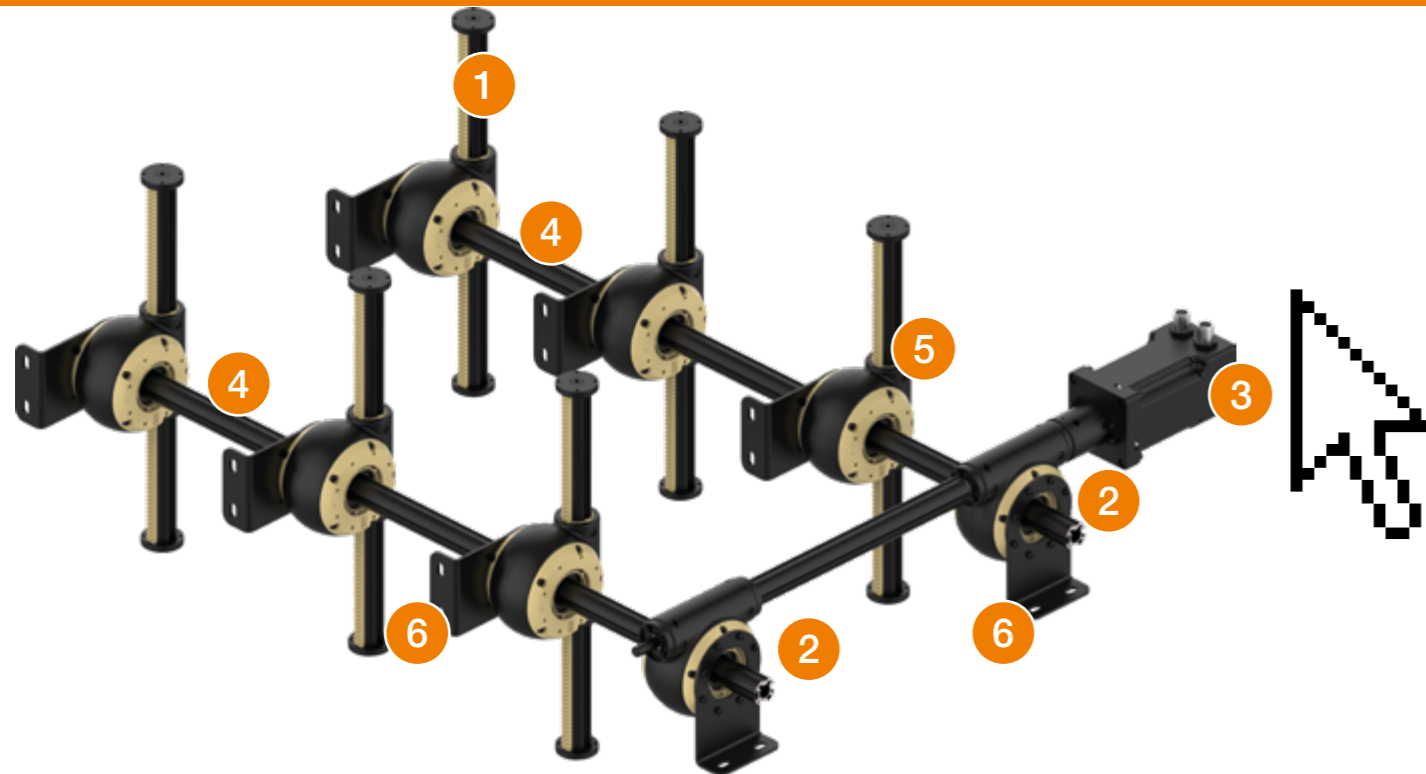
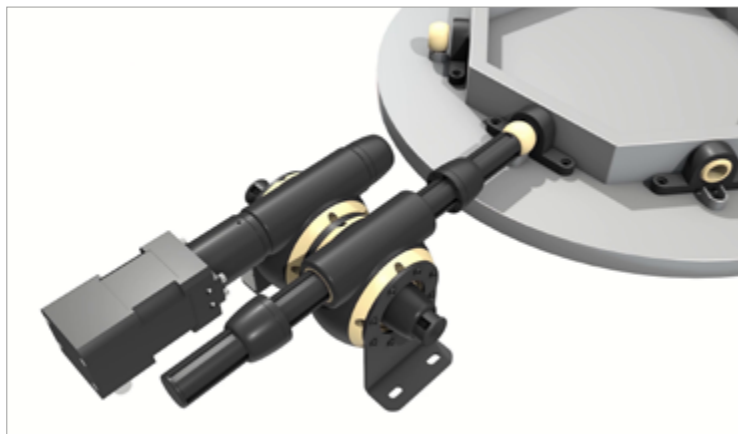


Press-fit procedures

... matching igus® products for your production line ...
 ... go directly to the online shop with just one click:



Flexible applications with modular gearboxes for all movements



Are you building a press-fit application and looking for the right components? We offer the following cost-effective, maintenance-free products from stock.

Our Apiro® gearbox system for a wide variety of kinematic elements and superstructures was named after the Greek word for "infinite". Individual applications can be implemented with the drygear® Apiro® gearbox system in a modular and cost-effective manner.

Typical application areas are lane adjustments, pusher tasks, gearboxes with various gear ratios, slewing rings and rotary axes. Due to the large product portfolio of igus® we can provide you with the suitable motor, including motor control system as well as cables.

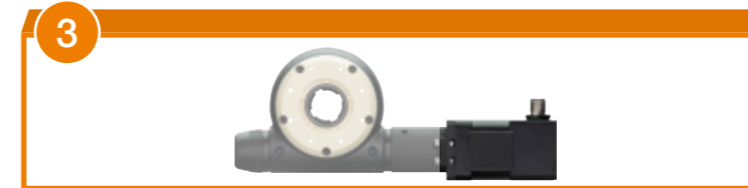
- ▶ Cantilever axis coupled with gearbox and NEMA17 motor
- ▶ Sample application: press-fit procedures during assembly
- ▶ Up to 50N possible



drygear® Apiro® cantilever axis
250mm-stroke



drygear® Apiro® worm gearbox
transmission 32:1



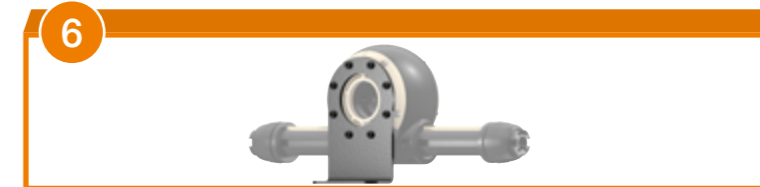
drygear® Apiro® motor kit
NEMA17 with connector and encoder



drygear® Apiro® universal profile
with a length of 600mm



Ini kit for cantilever axis
inductive, PNP, normally open/NO



drygear® Apiro® installation option
vertical or perpendicular, with flange



drylin® D1 motor control system
for stepper, DC and EC/BLDC motors



chainflex® connection cables
motor connecting cables



chainflex® connection cables
angled M8 x 1, CF.INI CF9

You can find more information at:
igus.eu/apiro-ideas



Download parts list



More information about
Low Cost Automation

